



## NORDIC INTERCHANGE SLK - SLK PE SERIES



# // SLK - SLK PE

## SAFETY LOCK - POPPET CONNECTION STYLE



DN 6 to 25



to max WP 450 bar

- // Fully interchangeability with other Nordic Series products
- // Connection under residual pressure (PE version)
- // Extra-safe construction thanks to safety lock
- // Configuration includes BSP female internal threads (others threads on request)
- // High resistance and durability under tough application
- // Available with protective caps

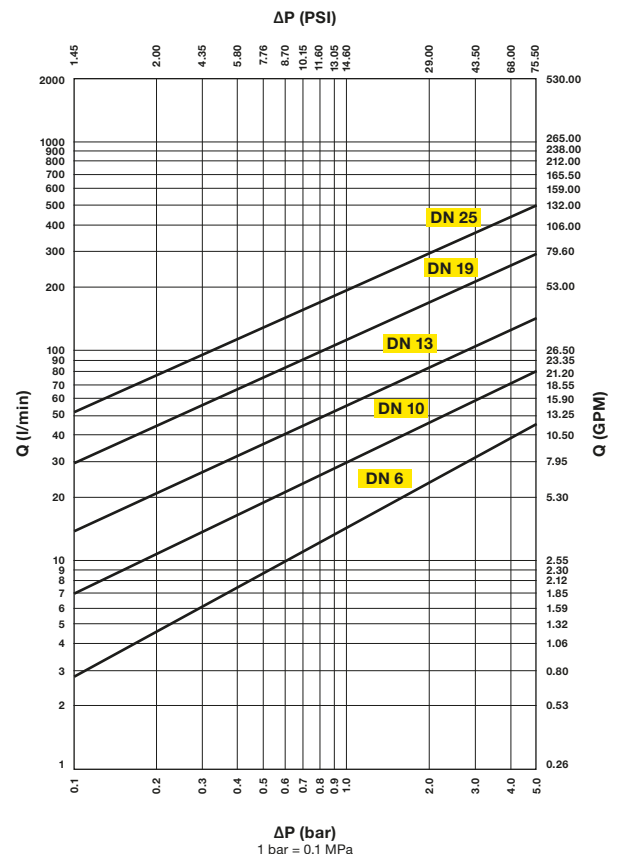
**General features:** the ARGUS SLK and SLK PE Nordic Series comprises a comprehensive range of hydraulic quick-release couplings specifically designed for the most demanding applications and heavy-duty equipment. This series distinguishes itself as a premier choice, excelling in both specifications and performance, providing a tough, durable product of superior quality. Constructed from Zi Ni treated carbon steel, the series is particularly well-suited for use in environments with severe climates, such as those found in the Nordic countries. This ensures maximum corrosion resistance and durability.

The series features a poppet valve mechanism that allows couplings to be connected under static pressure by hand. A safety sleeve guarantees fast and secure connections, preventing any accidental uncoupling. Additionally, enhanced sealing capability is ensured by an additional O-Ring and Back-up Ring. The SLK Pressure Eliminator (PE) facilitates connections in the presence of residual pressure.

**Materials:** carbon steel - Zi Ni - NBR sealing parts (other material available on request)

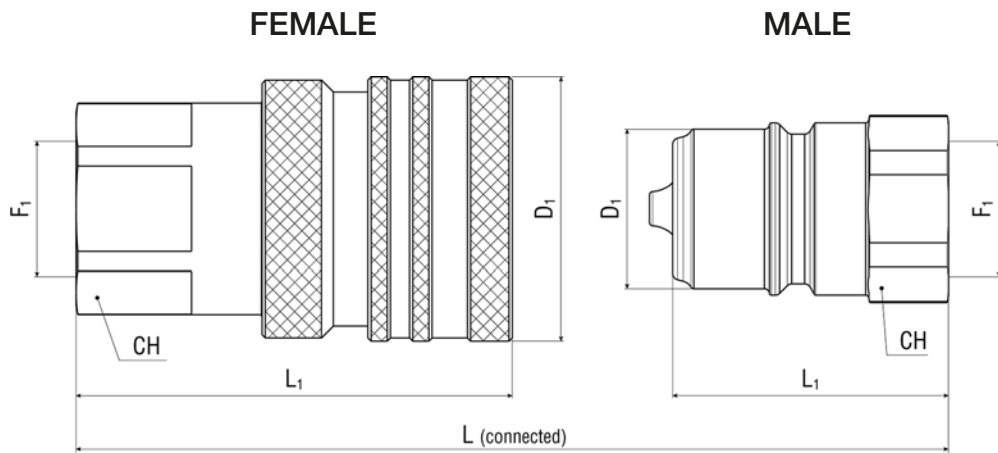
**Temperature range:** -30 °C +125 °C

**Note:** specific instructions for installation, use and maintenance are separately provided.



# // SLK - NORDIC SERIES

## OVERALL DIMENSIONS AND PERFORMANCES



### SAFETY LOCK - POPPET CONNECTION STYLE

Female coupling - Female thread

Item Code	⊕			WP Conn. MPa	BP Disconn. MPa	Thread 1	F1	D1 mm	CH mm	L1 mm	L mm
	Dash	mm	inch								
1232506	04	6,0	1/4"	45,0	180,0	BSPP	1/4-19	26,0	21,0	60,0	82,00
1232507	06	10,0	3/8"	35,0	140,0	BSPP	3/8-19	34,0	25,0	61,5	76,50
1232508	08	13,0	1/2"	30,0	120,0	BSPP	1/2-14	40,0	30,0	67,5	85,50
1232509	12	19,0	3/4"	28,0	112,0	BSPP	3/4-14	50,0	38,0	76,0	94,50
1232510	16	25,0	1"	25,0	100,0	BSPP	1-11	60,0	48,0	92,0	113,50

BSPP connection according to DIN 3852-2-X.

### SAFETY LOCK - POPPET CONNECTION STYLE

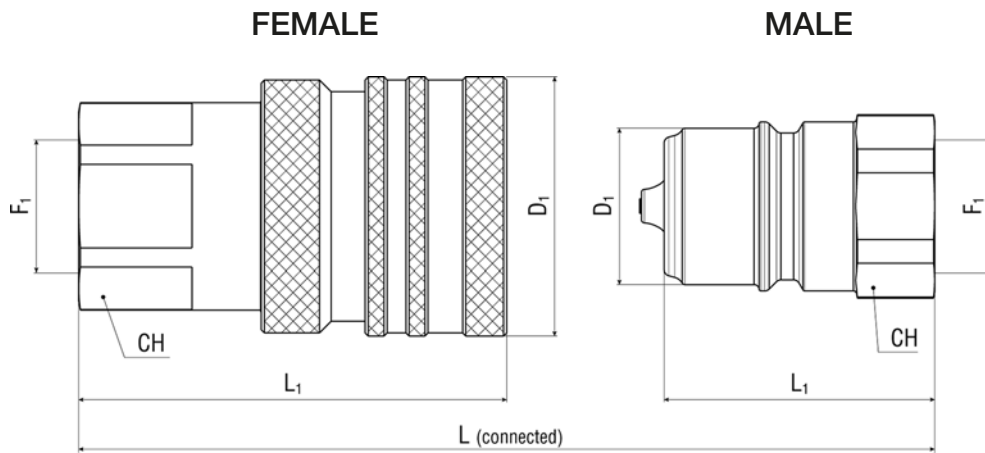
Male coupling - Female thread

Item Code	⊕			WP Conn. MPa	BP Disconn. MPa	Thread 1	F1	D1 mm	CH mm	L1 mm	L mm
	Dash	mm	inch								
1232511	04	6,0	1/4"	45,0	180,0	BSPP	1/4-19	11,9	19,0	48,5	82,00
1232512	06	10,0	3/8"	35,0	140,0	BSPP	3/8-19	19,9	22,0	38,0	76,50
1232513	08	13,0	1/2"	30,0	120,0	BSPP	1/2-14	24,7	27,0	42,5	85,50
1232514	12	19,0	3/4"	28,0	112,0	BSPP	3/4-14	32,7	36,0	47,0	94,50
1232515	16	25,0	1"	25,0	100,0	BSPP	1-11	40,9	45,0	56,5	113,50

BSPP connection according to DIN 3852-2-X.

# // SLK PE - NORDIC SERIES

## OVERALL DIMENSIONS AND PERFORMANCES



### SAFETY LOCK - POPPET CONNECTION STYLE - PRESSURE ELIMINATOR SYSTEM

Female coupling - Female thread

Item Code				WP Conn. MPa	BP Disconn. MPa	Thread 1	F1	D1	CH	L1	L
	Dash	mm	inch					mm	mm	mm	mm
1233056	06	10,0	3/8"	35,0	140,0	BSPP	3/8-19	34,0	25,0	61,5	76,50
1233057	08	13,0	1/2"	30,0	120,0	BSPP	1/2-14	40,0	30,0	67,5	85,50
1233058	12	19,0	3/4"	28,0	112,0	BSPP	3/4-14	50,0	38,0	76,0	94,50
1233059	16	25,0	1"	25,0	100,0	BSPP	1-11	60,0	48,0	92,0	113,50

BSPP connection according to DIN 3852-2-X.

### SAFETY LOCK - POPPET CONNECTION STYLE - PRESSURE ELIMINATOR SYSTEM

Male coupling - Female thread

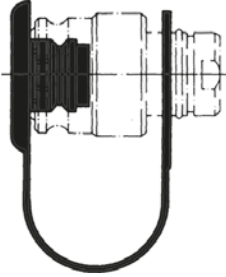
Item Code				WP Conn. MPa	BP Disconn. MPa	Thread 1	F1	D1	CH	L1	L
	Dash	mm	inch					mm	mm	mm	mm
1233061	06	10,0	3/8"	35,0	140,0	BSPP	3/8-19	19,9	22,0	38,0	76,50
1233062	08	13,0	1/2"	30,0	120,0	BSPP	1/2-14	24,7	27,0	42,5	85,50
1233063	12	19,0	3/4"	28,0	112,0	BSPP	3/4-14	32,7	36,0	47,0	94,50
1233064	16	25,0	1"	25,0	100,0	BSPP	1-11	40,9	45,0	56,5	113,50

BSPP connection according to DIN 3852-2-X.

## // ACCESSORIES AND SPARE PARTS

### PLASTIC DUST PLUG

Female coupling

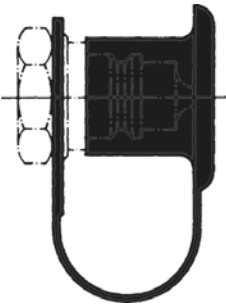


Item Code	Colour	Material	ID Dash	ID mm	ID inch
1246234	Black	Plastic	04	6,0	1/4"
1246235	Black	Plastic	06	10,0	3/8"
1246237	Black	Plastic	08	13,0	1/2"
1246238	Black	Plastic	12	19,0	3/4"
1246239	Black	Plastic	16	25,0	1"

Other colours are available on request.

### PLASTIC DUST CAP

Male coupling

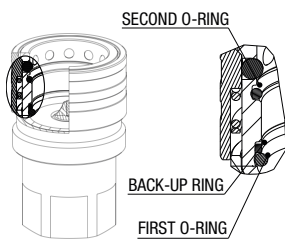


Item Code	Colour	Material	ID Dash	ID mm	ID inch
1246226	Black	Plastic	04	6,0	1/4"
1246227	Black	Plastic	06	10,0	3/8"
1246228	Black	Plastic	08	13,0	1/2"
1246229	Black	Plastic	12	19,0	3/4"
1246230	Black	Plastic	16	25,0	1"

Other colours are available on request.

### SPARE PARTS

Spare parts for female coupling



Item code	ID Dash	ID mm	ID inch
1258826	06	10,0	3/8"
1258827	08	13,0	1/2"
1258828	12	19,0	3/4"
1258829	16	25,0	1"

# THE ALFAGOMMA GROUP

## ALFAGOMMA

**ARGENTINA – Buenos Aires**  
Moreno Store Center  
Belisario Roldán 2616 - CP. 1744  
La Reja - Bs. As.  
+54 (11) 5365-6062/6063

**AUSTRALIA – Sydney**  
50 Honeycomb Drive  
Eastern Creek  
Sydney, NSW 2766  
+61 (2) 98 53 09 00  
sydney@alfagomma.com.au

**BELGIUM & NETHERLANDS – Benelux**  
Koeweideblock 4/D3  
1785 Merchtem  
+32 (052) 509 747  
info.benelux@alfagomma.com

**BRAZIL – Guaranésia**  
Rua Felice Gennasio 401  
Distrito Ind. Dr. Firmino Rocha de Freitas  
37810-000 - Guaranésia, MG - Brasil  
+55 (35) 35 55 0408  
contato@alfagomma.com.br

**CANADA – Montreal**  
6550 Abrams  
St. Laurent, Montreal  
Quebec H4S 1Y2  
+1 (514) 33 35 577  
info@alfagomma.ca

**CHINA – Ningbo**  
No. 1 Cidong South Avenue  
Coastal Economic Development Zone  
Cixi, Zhejiang, China 315311  
+86 (574) 88 15 72 88  
alfagomma.china@alfagomma.com.cn

**FRANCE – Villepinte**  
Le Sisley – Parc d'activité Paris Nord 2  
23 Allée des Impressionnistes  
93420 Villepinte  
+33 (1) 48172121  
agfrance.info@alfagomma.com

**GERMANY – Herne**  
Friedrich der Grosse 10  
44628 Herne  
+49 (2323) 14 730  
info.germany@alfagomma.com

**GREECE – Athens**  
85 Kifissou Avenue  
12241 Aigaleo, Athens  
+30 (210) 41 19 909  
info.hellas@alfagomma.com

**INDONESIA – Tigaraksa**  
JL. Raya Pemda Tigaraksa km. 4  
No 34, Matagara  
Tigaraksa, Tangerang 15720  
+62 (21) 59 96 301  
jakarta@alfagomma.co.id

**ITALY – Vimercate**  
Via Torri Bianche 1  
20871 Vimercate (MB)  
+39 (039) 60 161  
info@alfagomma.com

**MALAYSIA – Pasir Gudang**  
Plo 405, Jalan Perak 4  
81707 Pasir Gudang  
Negeri Johor Darul Takzim  
+60 (7) 25 72 000  
alfagomma@alfagomma.com.my

**MEXICO – Torreón**  
Av. Industria de la transformacion  
Parque Pymes 585  
27400 Torreón, Coahuila  
+52 8713125026  
alfagomma.mexico@alfagomma.com

**SINGAPORE**  
14 Tuas Ave 11  
Singapore 639080  
+65 6360 9000  
alfagomma@alfagomma.com.sg

**SOUTH AFRICA – Johannesburg**  
17 Quark Crescent Linbro Business Park  
Sandton 2065  
+27 (11) 20 10 900  
alfagomma@alfagomma.co.za

**SOUTH KOREA – Hwasung**  
15 Julteo Gil  
Yangkam-Myun, Hwasung-Si  
Kyungki-Do 18630  
+82 (31) 35 28 671  
alfagomma@alfagomma.co.kr

**THAILAND – Bangkok**  
60/21 Moo.4 King Kaew Road  
Racha Thewa SubDistrict, Bang Phli District  
Samut Prakan Province, 10540  
+66 (0) 2 136 2388  
sales@alfagomma.co.th

**UNITED KINGDOM – Haydock**  
43 Wilcock Road  
Old Boston Trading Estate Haydock  
St. Helens WA11 9TG  
+44 (1942) 40 76 80  
haydock.sales@alfagomma.com

**UNITED STATES OF AMERICA – Burlington**  
3520 West Avenue  
IA 52601 Burlington  
+1 (319) 75 89 224  
info@alfagomma.us

## DUNLOPHIFLEX

**DENMARK – KOLDING**  
Kokholm 5  
6000 Kolding  
+45 (43) 25 40 00  
kundeservice@dunlophiflex.dk

**ESTONIA – Tallin**  
Läike tee 32/1 - Peetri alevik,  
Rae vald - 75312 Harjumaa (Tallinn)  
+372 (0) 605 4900  
tallinn@dunlophiflex.ee

**FINLAND – Pirkkala**  
Jasperintie 320  
33960 Pirkkala  
+358 (207) 625 700  
info@dunlophiflex.fi

**NORWAY – Kjeller**  
Jogstadveien 39  
Pb. 7, 2027 Kjeller  
2007 Kjeller  
+47 (23) 00 47 00  
sales@dunlophiflex.no

**SWEDEN – Halmstad**  
Kistinge Industriområde  
Seldonsvagen 2  
30180 Halmstad  
+46 (104) 14 44 04  
halmstad@dunlophiflex.se

## ARGUS

**GERMANY – Ettlingen**  
Pforzheimer Str. 126  
76275 Ettlingen  
+49 (7243) 50 550  
info@argus-fluidtechnik.de

**UNITED KINGDOM – Salisbury**  
Telford Road  
Salisbury, Wiltshire SP2 7PH  
+44 (1722) 42 05 90  
sales@hiflex-europe.com

## KIOWA

**UNITED KINGDOM – Sleaford**  
Kiowa Ltd, The Reservation, East Road  
Sleaford, Lincolnshire, NG34 7BY  
+44 (0) 1529 416200  
sales@kiowa.co.uk



**HEADQUARTER**  
**Alfagomma SpA**  
Via Torri Bianche 1  
20871 Vimercate (MB) Italy  
marketing@alfagomma.com  
www.alfagomma.com