



QUICK RELEASE & MULTI-K COUPLINGS

EDITION 2025





ARGUS is one of the ALFAGOMMA's Group brands.

Since 1936 ARGUS has been manufacturing high-quality hydraulic components. Ever since the name ARGUS has stood for quality, safety and technical competence. Many years of experience and constant effort to optimize our products enable us to quickly and flexibly respond to customers' needs.

The products are manufactured in our Italian plants.

ALFAGOMMA GROUP

28

MANUFACTURING
PLANTS

IN 13 COUNTRIES

ITALY – BENELUX
FINLAND – FRANCE
GERMANY – SWEDEN
UNITED KINGDOM
USA – BRAZIL – MEXICO
CHINA – MALAYSIA
MOROCCO

90

SUBSIDIARIES AND
ASSEMBLY PLANTS

IN 26 COUNTRIES
AND
5 CONTINENTS

NORMS

QUALITY
CERTIFICATION

API Q1 since 2016
IATF 16949 since 2018
ISO 9001 since 1993
ISO 14001 since 1999
ISO 45001 since 2023

4,700

EMPLOYEES

GLOBALLY



**TAILOR
MADE**

**We develop every kind of quick release
and multi-coupling system according to
customer's needs or specifications**

// QUICK RELEASE COUPLINGS

For fast and easy connections of hydraulic hoses, the ALFAGOMMA range of fluid components includes the ARGUS series of quick disconnect couplings, with products complying to international standards ISO 7241-1 A & B, ISO 5675 and ISO 16028, having poppet and flat face valve respectively.

The standardised design assures the complete interchangeability with corresponding couplings currently in use.

Made from high strength carbon steel as the basic material, hardened in parts subject to wear, ARGUS couplings feature a chrome-III zinc plating with a long lasting resistance to oxidation (**TOP COAT**, patented).

The mechanical and fluid dynamic performance are maximised by means of specific geometries defined through CFD calculations. Additional extensive testing is carried out after production following the requirements of ISO 7241-2 standard.

ISO-A range includes the true general purpose quick release couplings, with sizes from 1/4" to 1 1/2", BSPP, NPTF and metric threaded connections, and working pressure up to 350 bar. Agricultural machinery is the main application for ISO-A for ISO-A couplings.

ISO 7241-1 B series is more employed in the industrial sector (pressures can reach 400 bar), for equipment powered and controlled by hydraulic systems.

The **flat faced range** is the optimal choice to avoid circuit contamination and oil leakage when connecting and disconnecting.

Flat faced couplings are widely used on construction equipment, but also in hostile environments where spillage can constitute a danger. They have sizes from 1/4" to 1", constant working pressure of 350 bar and minimised flow losses.

Screw quick couplings are also included in the ARGUS family. Connection under residual pressure is made possible by specific couplings with poppet or flat face valve. Further sizes and types, including customised multi-coupling systems, are available on request.

POPPET VALVE	FLAT FACE VALVE	SCREW TYPE		MULTI-COUPLING	CHECK VALVES	SWIVEL CONNECTOR
		POPPET	FLAT FACE			
SVK-ISO-A	FPK	HDK **	RK	MULTI-K	RV	SWIVEL CONNECTOR
SVK-ISO-A SS	FPK P *	HDK HA **	RPV *		PRV	
SVK-ISO-B		PTK	AK		LBS	
SNK			BK			
SNKB			DK			
SVK-1H-ISO-A						
SVK-1H						
PVK-RACING (ALU)						
SPK-1H *						
SPK-1H PE *						
SRK-1H						
SRK-1H PE PLUS *						
SHK						
SLK						
SLK PE *						

* under pressure / ** residual pressure

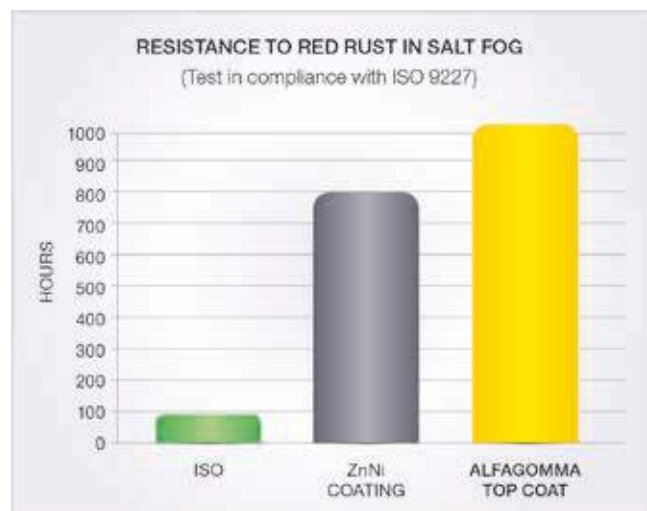
// TOP COAT TREATMENT

Thanks to the exclusive ALFAGOMMA **TOP COAT** – Galvanic Coating – proprietary technology, the complete range of ARGUS Quick release couplings can boast an extraordinary wear and corrosion resistance, so as to guarantee a longer lifespan to your system.

ALFAGOMMA **TOP COAT** is based on a system of trivalent passivation which reaches outstanding rusting and corrosion resistance levels. Tested in accordance with ASTM B117-03 and UNI ISO 9227 standards, ALFAGOMMA **TOP COAT** ensures over 1000 hours to red rust.

All ALFAGOMMA metal parts feature TOP COAT an innovative proprietary surface treatment developed and patented by the ALFAGOMMA Research & Development team

- // Corrosion resistance exceeding 500 hrs white and 1000 hrs red rust resistance – ASTM B117-03 and UNI ISO 9227 standards
- // Exceptional interfacial adhesion and outstanding impact resistance, with almost no micro-cracking, chipping and delamination
- // Trivalent passivation and high resistance sealing
- // Chromium(VI)-free in conformity with the European directive 2000/53/EC



// INDEX



// **SVK-ISO-A** 8
POPPET STANDARD ISO 7241 A



// **SVK-ISO-A SS** 14
POPPET STANDARD ISO 7241 A SS



// **SVK-ISO-B** 17
POPPET STANDARD ISO 7241 B



// **SNK** 20
POPPET INDUSTRY STANDARD



// **SNKB** 23
BALL INDUSTRY STANDARD



// **SHK** 25
HIFLOW TRUCK TYPE POPPET



// **SLK & SLK PE** 28
LOCKABLE TYPE POPPET



// **SVK-1H-ISO-A** 31
POPPET STANDARD ISO 7241 A



// **SVK-1H** 39
POPPET STANDARD ISO 5675



// **PVK-RACING** 48
POPPET



// **SPK-1H & SPK-1H PE** 50
POPPET STANDARD ISO 5675



// **SRK-1H** 53
POPPET RIGID PIPES ISO 5675



// **SRK-1H PE PLUS** 56
POPPET RIGID PIPES ISO 5675



// **ACCESSORIES FOR SVK-1H, RV & LBS** 58



// **QUICK RELEASE ADAPTER** 60



// **QUICK RELEASE ADAPTER** 62
CONNECTION UNDER PRESSURE



// **FPK & FPK P** 64
FLAT FACE STANDARD ISO 16028



// **BK** 72
BRAKE VALVE FLAT FACE STANDARD ISO 5676



// **DK** 74
DIAGNOSTIC FLAT FACE STANDARD ISO 15171-1



// **HDK & HDK HA** 77
SCREW TYPE POPPET STANDARD ISO 14541



// **RK** 85
SCREW TYPE FLAT FACE



// **RPV** 90
SCREW TYPE FLAT FACE



// **AK** 93
SCREW TYPE FLAT FACE



// **PTK** 95
SCREW TYPE POPPET STANDARD ISO 14540



// **MULTI-K** 98
MULTI-COUPLING



// **RV** 106
NON RETURN VALVE



// **PRV** 109
CARTRIDGE NON RETURN VALVE



// **LBS** 111
EXCESS FLOW CHECK VALVE



// **SWIVEL CONNECTOR** 113
SWIVEL JOINT

// SVK-ISO-A

POPPET STANDARD ISO 7241 A



DN 6 to 51



to max WP 350 bar

// Quick and simple coupling and uncoupling

// Cost effective

General features: ARGUS ISO 7241-1 series "A" quick release couplings are used for quick coupling and uncoupling of hydraulic lines. During the coupling action in zero or low-pressure ranges, valves that release or block the flow are automatically activated. The SVK-ISO-A quick release coupling, formed by the coupling plug and the coupling socket, is connected by pushing on a sleeve. This guarantees a flush connection between the two coupling halves.

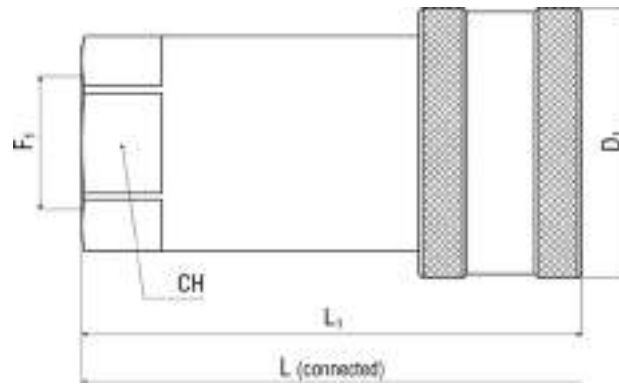
Materials: galvanised steel with hardened parts subject to wear - NBR O-rings (other materials optional) - Thermoplastic dust cap and dust plug. Cr-III zinc plating through additional passivation for improved surface protection (TOP COAT for metric version).

Application: suitable for liquid lines with mineral oil-based hydraulic fluids to DIN 51524 T1+T2.

Norm:
ISO 7241 A

Temperature range:
-20 °C +100 °C
Temp. range for metric version -30 °C to +125 °C

Note: rated flow / pressure drop compliant with ISO 7241-1 standard.
Specific instructions for installation, use and maintenance are separately provided.

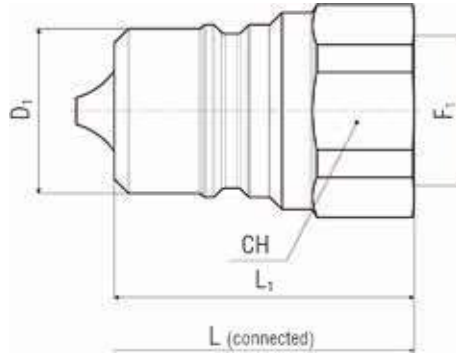


STANDARD ISO 7241 A - POPPET SVK-ISO-A

Female coupling - Female thread

Item Code	ID (Dash)	ID (mm)	ID (in)	WP Conn. (Mpa)	BP Disconn. (Mpa)	Thread 1	F1	D1 (mm)	CH (mm)	L1 (mm)	L (mm)
1219613	4	6,0	1/4"	35,0	140,0	BSPP	1/4-19	26,0	19,0	50,0	74,2
1219607	6	10,0	3/8"	31,5	126,0	BSPP	3/8-19	31,5	22,0	56,0	78,5
1232129	6	10,0	3/8"	31,5	126,0	BSPP	1/2-14	32,0	27,0	56,0	74,5
1219617	8	13,0	1/2"	27,0	108,0	BSPP	1/2-14	38,5	27,0	66,0	88,2
1219609	12	19,0	3/4"	25,0	100,0	BSPP	3/4-14	48,0	34,0	82,5	110,4
1219619	16	25,0	1"	20,0	80,0	BSPP	1-11	56,0	41,0	100,0	132,9
1223504	20	32,0	1 1/4"	20,0	80,0	BSPP	1 1/4-11	70,0	50,0	117,0	150,0
1219620	24	38,0	1 1/2"	16,0	64,0	BSPP	1 1/2-11	84,5	60,0	133,0	167,0
1223392	32	51,0	2"	10,0	40,0	BSPP	2-11	99,0	75,0	165,0	210,0
1219612	4	6,0	1/4"	35,0	140,0	NPTF	1/4-18	26,0	19,0	50,0	74,2
1222491	6	10,0	3/8"	31,5	126,0	NPTF	3/8-18	31,5	22,0	57,1	78,5
1222488	8	13,0	1/2"	27,0	108,0	NPTF	1/2-14	38,5	27,0	66,0	88,2
1222494	12	19,0	3/4"	25,0	100,0	NPTF	3/4-14	48,0	34,0	82,5	110,4
1222495	16	25,0	1"	20,0	80,0	NPTF	1-11 1/2	56,0	41,0	100,0	132,9
1229489	24	38,0	1 1/2"	16,0	64,0	NPTF	1 1/2-11 1/2	84,5	60,0	133,0	167,0
1229490	32	51,0	2"	10,0	40,0	NPTF	2-11 1/2	99,0	75,0	165,0	210,0

Rated flow / pressure drop compliant with ISO 7241-1 standard. Specific instructions for installation, use and maintenance are separately provided.

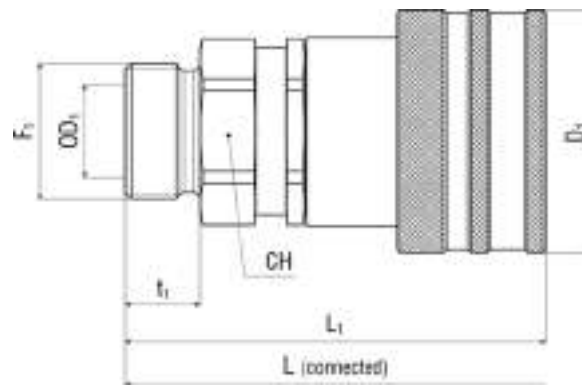


STANDARD ISO 7241 A - POPPET SVK-ISO-A

Male coupling - Female thread

Item Code	ID (Dash)	ID (mm)	ID (in)	WP Conn. (Mpa)	BP Disconn. (Mpa)	Thread 1	F1	D1 (mm)	CH (mm)	L1 (mm)	L (mm)
1219611	4	6,0	1/4"	35,0	140,0	BSPP	1/4-19	11,8	19,0	38,5	74,2
1219606	6	10,0	3/8"	31,5	126,0	BSPP	3/8-19	17,3	22,0	36,5	78,5
1219615	8	13,0	1/2"	27,0	108,0	BSPP	1/2-14	20,5	27,0	44,0	88,2
1219608	12	19,0	3/4"	25,0	100,0	BSPP	3/4-14	29,0	34,0	55,0	110,4
1219618	16	25,0	1"	20,0	80,0	BSPP	1-11	34,3	41,0	66,0	132,9
1223512	20	32,0	1 1/4"	20,0	80,0	BSPP	1 1/4-11	45,0	50,0	75,0	150,0
1223511	24	38,0	1 1/2"	16,0	64,0	BSPP	1 1/2-11	55,0	60,0	83,5	167,0
1223395	32	51,0	2"	10,0	40,0	BSPP	2-11	65,0	75,0	105,0	210,0
1219610	4	6,0	1/4"	35,0	140,0	NPTF	1/4-18	11,8	19,0	38,5	74,2
1222492	6	10,0	3/8"	31,5	126,0	NPTF	3/8-18	17,3	22,0	39,0	78,5
1222489	8	13,0	1/2"	27,0	108,0	NPTF	1/2-14	20,5	27,0	44,0	88,2
1222490	12	19,0	3/4"	25,0	100,0	NPTF	3/4-14	29,0	34,0	55,0	110,4
1222487	16	25,0	1"	20,0	80,0	NPTF	1-11 1/2	34,3	41,0	66,0	132,9
1229496	24	38,0	1 1/2"	16,0	64,0	NPTF	1 1/2-11 1/2	55,0	60,0	83,5	167,0
1229497	32	51,0	2"	10,0	40,0	NPTF	2-11 1/2	65,0	75,0	105,0	210,0

Rated flow / pressure drop compliant with ISO 7241-1 standard. Specific instructions for installation, use and maintenance are separately provided.



STANDARD ISO 7241 A - POPPET SVK-ISO-A

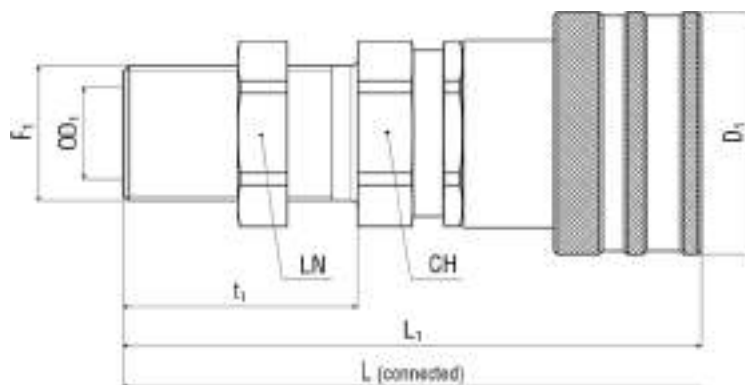
TOP COAT

Female coupling - Metric 24° light/heavy series

Item Code	ID (Dash)	ID (mm)	ID (in)	WP Conn. (Mpa)	BP Disconn. (Mpa)	Thread 1	F1	OD1	D1 (mm)	t1 (mm)	CH (mm)	L1 (mm)	L (mm)
1233909	4	6,0	1/4"	35,0	140,0	D24L	M12X1.5	6	25,0	10,0	19,0	52,0	84,6
1229374	4	6,0	1/4"	35,0	140,0	D24L	M14X1.5	8	25,0	10,0	19,0	52,0	84,6
1233910	6	10,0	3/8"	31,5	126,0	D24L	M14X1.5	8	32,0	10,0	22,0	60,5	100,7
1229375	6	10,0	3/8"	31,5	126,0	D24L	M16X1.5	10	32,0	11,0	22,0	61,5	102,7
1233925	8	13,0	1/2"	27,0	108,0	D24L	M14X1.5	8	39,0	10,0	27,0	65,8	100,1
1233927	8	13,0	1/2"	27,0	108,0	D24L	M16X1.5	10	39,0	11,0	27,0	66,8	102,1
1229377	8	13,0	1/2"	27,0	108,0	D24L	M18X1.5	12	39,0	11,0	27,0	66,8	102,1
1229378	8	13,0	1/2"	27,0	108,0	D24L	M22X1.5	15	39,0	12,0	27,0	67,8	104,1
1233928	8	13,0	1/2"	27,0	108,0	D24L	M26X1.5	18	39,0	12,0	32,0	67,8	104,1
1233929	12	19,0	3/4"	25,0	100,0	D24L	M18X1.5	12	46,0	11,0	38,0	80,0	117,9
1233930	12	19,0	3/4"	25,0	100,0	D24L	M22X1.5	15	46,0	12,0	38,0	81,0	119,9
1229380	12	19,0	3/4"	25,0	100,0	D24L	M26X1.5	18	46,0	12,0	38,0	81,0	119,9
1229381	12	19,0	3/4"	25,0	100,0	D24L	M30X2	22	46,0	14,0	38,0	83,0	123,9
1233931	16	25,0	1"	20,0	80,0	D24L	M26X1.5	18	52,0	12,0	43,0	94,0	137,4
1233932	16	25,0	1"	20,0	80,0	D24L	M30X2	22	52,0	14,0	43,0	96,0	141,4
1229382	16	25,0	1"	20,0	80,0	D24L	M36X2	28	52,0	14,0	45,0	96,0	141,4
1233933	16	25,0	1"	20,0	80,0	D24L	M45X2	35	52,0	16,0	50,0	98,0	145,4
1233934	6	10,0	3/8"	31,5	126,0	D24S	M16X1.5	8	32,0	12,0	22,0	62,5	104,7
1233935	6	10,0	3/8"	31,5	126,0	D24S	M18X1.5	10	32,0	12,0	22,0	62,5	104,7
1229419	6	10,0	3/8"	31,5	126,0	D24S	M20X1.5	12	32,0	12,0	22,0	62,5	104,7
1233936	8	13,0	1/2"	27,0	108,0	D24S	M18X1.5	10	39,0	12,0	27,0	67,8	104,1
1233937	8	13,0	1/2"	27,0	108,0	D24S	M20X1.5	12	39,0	12,0	27,0	67,8	104,1
1233938	8	13,0	1/2"	27,0	108,0	D24S	M22X1.5	14	39,0	14,0	27,0	69,8	108,1
1229422	8	13,0	1/2"	27,0	108,0	D24S	M24X1.5	16	39,0	14,0	27,0	69,8	108,1
1233939	12	19,0	3/4"	25,0	100,0	D24S	M24X1.5	16	46,0	14,0	38,0	83,0	123,9
1233940	12	19,0	3/4"	25,0	100,0	D24S	M30X2	20	46,0	16,0	38,0	85,0	127,9
1234911	12	19,0	3/4"	25,0	100,0	D24S	M36X2	25	46,0	18,0	41,0	87,0	131,9
1233941	16	25,0	1"	20,0	80,0	D24S	M30X2	20	53,0	16,0	45,0	98,0	145,4
1229426	16	25,0	1"	20,0	80,0	D24S	M36X2	25	53,0	18,0	45,0	100,0	149,4
1233942	16	25,0	1"	20,0	80,0	D24S	M42X2	30	53,0	20,0	46,0	102,0	153,4
1233943	16	25,0	1"	20,0	80,0	D24S	M52X2	38	53,0	22,0	55,0	104,0	157,4

Rated flow / pressure drop compliant with ISO 7241-1 standard. Specific instructions for installation, use and maintenance are separately provided.

For related male coupling see product "Male coupling - Female thread" at page 33



STANDARD ISO 7241 A - POPPET SVK-ISO-A

TOP COAT

Female coupling - Metric 24° light series bulkhead

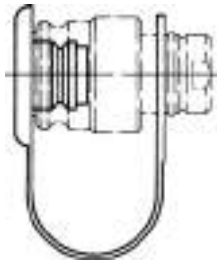
Item Code	ID (Dash)	ID (mm)	ID (in)	WP Conn. (Mpa)	BP Disconn. (Mpa)	Thread 1	F1	OD1	D1 (mm)	t1 (mm)	CH (mm)	LN (mm)	L1 (mm)	L (mm)
1233955	4	6,0	1/4"	35,0	140,0	D24L	M12X1.5	6	25,0	25,0	19,0	17,0	67,0	114,6
1229396	4	6,0	1/4"	35,0	140,0	D24L	M14X1.5	8	25,0	25,0	19,0	19,0	67,0	114,6
1233956	6	10,0	3/8"	31,5	126,0	D24L	M14X1.5	8	32,0	25,0	22,0	19,0	75,5	124,7
1229397	6	10,0	3/8"	31,5	126,0	D24L	M16X1.5	10	32,0	27,0	22,0	22,0	77,5	128,7
1233957	8	13,0	1/2"	27,0	108,0	D24L	M14X1.5	8	38,0	25,0	27,0	19,0	81,8	132,1
1233958	8	13,0	1/2"	27,0	108,0	D24L	M16X1.5	10	38,0	27,0	27,0	22,0	83,8	136,1
1229399	8	13,0	1/2"	27,0	108,0	D24L	M18X1.5	12	38,0	26,0	27,0	24,0	81,8	132,1
1229400	8	13,0	1/2"	27,0	108,0	D24L	M22X1.5	15	38,0	30,0	27,0	30,0	85,8	140,1
1233959	8	13,0	1/2"	27,0	108,0	D24L	M26X1.5	18	38,0	30,0	32,0	36,0	85,8	140,1
1233960	12	19,0	3/4"	25,0	100,0	D24L	M18X1.5	12	46,0	30,0	38,0	24,0	99,0	155,9
1233961	12	19,0	3/4"	25,0	100,0	D24L	M22X1.5	15	46,0	30,0	38,0	30,0	99,0	155,9
1229402	12	19,0	3/4"	25,0	100,0	D24L	M26X1.5	18	46,0	36,0	38,0	36,0	105,0	167,9
1229403	12	19,0	3/4"	25,0	100,0	D24L	M30X2	22	46,0	42,0	36,0	41,0	111,0	179,9
1234912	16	25,0	1"	20,0	80,0	D24L	M26X1.5	18	53,0	36,0	45,0	36,0	118,0	185,4
1233962	16	25,0	1"	20,0	80,0	D24L	M30X2	22	53,0	42,0	45,0	41,0	124,0	197,4
1229404	16	25,0	1"	20,0	80,0	D24L	M36X2	28	53,0	43,0	45,0	46,0	125,0	199,4
1233963	16	25,0	1"	20,0	80,0	D24L	M45X2	35	53,0	47,0	50,0	55,0	129,0	207,4

Rated flow / pressure drop compliant with ISO 7241-1 standard. Specific instructions for installation, use and maintenance are separately provided.

For related male coupling see product "Male coupling - Metric 24° light series bulkhead" at page 38

STANDARD ISO 7241 A - POPPET SVK-ISO-A

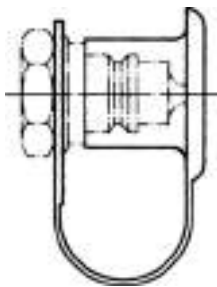
Dust plug for female coupling



Item Code	Colour	Material	ID (Dash)	ID (mm)	ID (in)
1219283	RED	PE	4	6,0	1/4"
1219281	RED	PE	6	10,0	3/8"
1237767	GRN	PE	8	13,0	1/2"
1222515	YEL	PVC	8	13,0	1/2"
1224393	BLK	PVC	8	13,0	1/2"
1219284	RED	PE	8	13,0	1/2"
1222514	BLU	PVC	8	13,0	1/2"
1219282	RED	PE	12	19,0	3/4"
1219285	RED	PE	16	25,0	1"

STANDARD ISO 7241 A - POPPET SVK-ISO-A

Dust cap for male coupling



Item Code	Colour	Material	ID (Dash)	ID (mm)	ID (in)
1219446	RED	PE	4	6,0	1/4"
1239710	BLU	PE	4	6,0	1/4"
1219444	RED	PE	6	10,0	3/8"
1239711	BLU	PE	6	10,0	3/8"
1237768	GRN	PE	8	13,0	1/2"
1224391	BLU	PVC	8	13,0	1/2"
1219447	RED	PE	8	13,0	1/2"
1237769	BLK	PE	8	13,0	1/2"
1222521	YEL	PVC	8	13,0	1/2"
1243391	YEL	PE	8	13,0	1/2"
1239712	BLU	PE	12	19,0	3/4"
1219445	RED	PE	12	19,0	3/4"
1239713	BLU	PE	16	25,0	1"
1219448	RED	PE	16	25,0	1"

// SVK-ISO-A SS

POPPET STANDARD ISO 7241 A SS



DN 6 to 40



to max WP 140 bar

// Quick and simple coupling and uncoupling

// Stainless steel AISI 316

General features: ARGUS ISO 7241-1 series "A" quick release couplings are used for quick coupling and uncoupling of hydraulic lines. During the coupling action in zero or low-pressure ranges, valves that release or block the flow are automatically activated. The SVK-ISO-A SS quick release coupling, formed by the coupling plug and the coupling socket, is connected by pushing on a sleeve. This guarantees a flush connection between the two coupling halves.

Materials: stainless steel AISI 316 - FKM O-rings (other materials optional) - Thermoplastic dust cap and dust plug.

Application: suitable for liquid lines with mineral oil-based hydraulic fluids to DIN 51524 T1+T2, water or other aggressive fluids. Resistant to outdoor and harsh environments.

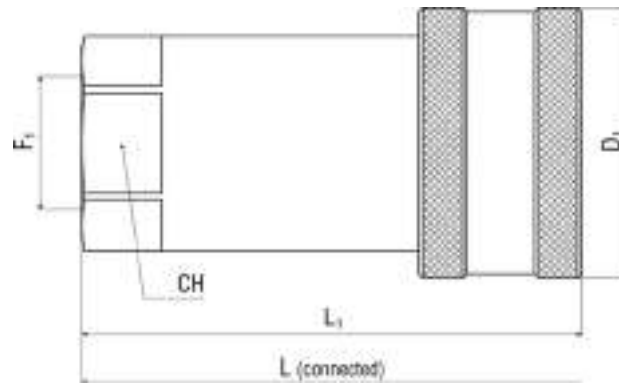
Norm: ISO 7241 A

Temperature range:

-20 °C +100 °C

Note: rated flow / pressure drop compliant with ISO 7241-1 standard.

Specific instructions for installation, use and maintenance are separately provided.

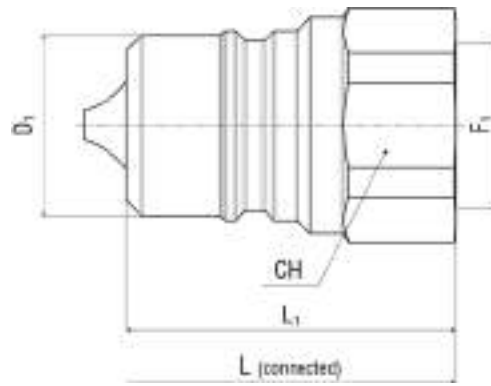


STANDARD ISO 7241 A - POPPET SVK-ISO-A SS

Female coupling - Female thread

Item Code	ID (Dash)	ID (mm)	ID (in)	WP Conn. (Mpa)	BP Disconn. (Mpa)	Thread 1	F1	D1 (mm)	CH (mm)	L1 (mm)	L (mm)
1233982	4	6,0	1/4"	14,0	72,0	BSPP	1/4-19	26,0	19,0	50,0	74,2
1233983	6	10,0	3/8"	14,0	72,0	BSPP	3/8-19	31,5	22,0	57,1	78,5
1233984	8	13,0	1/2"	10,0	40,0	BSPP	1/2-14	38,5	27,0	66,0	88,2
1233985	12	19,0	3/4"	10,0	40,0	BSPP	3/4-14	48,0	34,0	82,5	110,4
1233986	16	25,0	1"	7,0	28,0	BSPP	1-11	56,0	41,0	100,0	132,9
1233987	20	32,0	1 1/4"	7,0	28,0	BSPP	1 1/4-11	70,0	50,0	117,0	150,0
1233988	24	38,0	1 1/2"	7,0	28,0	BSPP	1 1/2-11	84,5	60,0	133,0	167,0
1233989	4	6,0	1/4"	14,0	72,0	NPTF	1/4-18	26,0	19,0	50,0	74,2
1233990	6	10,0	3/8"	14,0	72,0	NPTF	3/8-18	31,5	22,0	57,1	78,5
1233991	8	13,0	1/2"	10,0	40,0	NPTF	1/2-14	38,5	27,0	66,0	88,2
1233992	12	19,0	3/4"	10,0	40,0	NPTF	3/4-14	48,0	34,0	82,5	110,4
1233993	16	25,0	1"	7,0	28,0	NPTF	1-11 1/2	56,0	41,0	100,0	132,9
1233994	20	32,0	1 1/4"	7,0	28,0	NPTF	1 1/4-11 1/2	70,0	50,0	117,0	150,0
1233995	24	38,0	1 1/2"	7,0	28,0	NPTF	1 1/2-11 1/2	84,5	60,0	133,0	167,0

Rated flow / pressure drop compliant with ISO 7241-1 standard. Specific instructions for installation, use and maintenance are separately provided.



STANDARD ISO 7241 A - POPPET SVK-ISO-A SS

Male coupling - Female thread

Item Code	ID (Dash)	ID (mm)	ID (in)	WP Conn. (Mpa)	BP Disconn. (Mpa)	Thread 1	F1	D1 (mm)	CH (mm)	L1 (mm)	L (mm)
1233996	4	6,0	1/4"	14,0	72,0	BSPP	1/4-19	11,8	19,0	38,5	74,2
1233997	6	10,0	3/8"	14,0	72,0	BSPP	3/8-19	17,3	22,0	39,0	78,5
1233998	8	13,0	1/2"	10,0	40,0	BSPP	1/2-14	20,5	27,0	44,0	88,2
1233999	12	19,0	3/4"	10,0	40,0	BSPP	3/4-14	29,0	34,0	55,0	110,4
1234000	16	25,0	1"	7,0	28,0	BSPP	1-11	34,3	41,0	66,0	132,9
1234001	20	32,0	1 1/4"	7,0	28,0	BSPP	1 1/4-11	45,0	50,0	75,0	150,0
1234002	24	38,0	1 1/2"	7,0	28,0	BSPP	1 1/2-11	55,0	60,0	83,5	167,0
1234003	4	6,0	1/4"	14,0	72,0	NPTF	1/4-18	11,8	19,0	38,5	74,2
1234004	6	10,0	3/8"	14,0	72,0	NPTF	3/8-18	17,3	22,0	39,0	78,5
1234005	8	13,0	1/2"	10,0	40,0	NPTF	1/2-14	20,5	27,0	44,0	88,2
1234006	12	19,0	3/4"	10,0	40,0	NPTF	3/4-14	29,0	34,0	55,0	110,4
1234007	16	25,0	1"	7,0	28,0	NPTF	1-11 1/2	34,3	41,0	66,0	132,9
1234008	20	32,0	1 1/4"	7,0	28,0	NPTF	1 1/4-11 1/2	45,0	50,0	75,0	150,0
1234009	24	38,0	1 1/2"	7,0	28,0	NPTF	1 1/2-11 1/2	55,0	60,0	83,5	167,0

Rated flow / pressure drop compliant with ISO 7241-1 standard. Specific instructions for installation, use and maintenance are separately provided.

// SVK-ISO-B

POPPET STANDARD ISO 7241 B



DN 6 to 25



to max WP 300 bar

// Quick and simple coupling and uncoupling

General features: ARGUS ISO 7241-1 series "B" quick release couplings are used for quick coupling and uncoupling of hydraulic lines. During the coupling action in zero or low-pressure ranges, valves that release or block the flow are automatically activated. The SVK-ISO-B quick release coupling, formed by the coupling plug and the coupling socket, is connected by pushing on a sleeve. This guarantees a flush connection between the two coupling halves.

Materials: galvanised steel with hardened parts subject to wear - NBR O-rings (other materials optional) - Thermoplastic dust cap and dust plug. Cr-III zinc plating through additional passivation for improved surface protection. Also available in stainless steel.

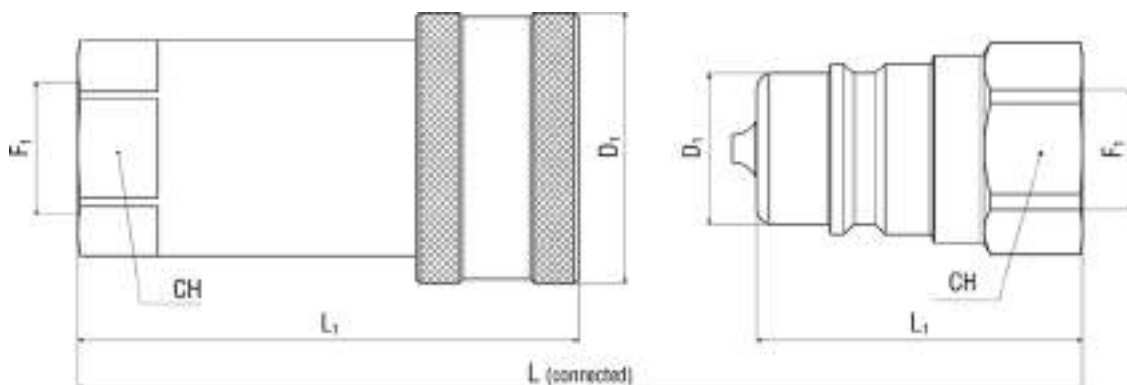
Application: suitable for liquid lines with mineral oil-based hydraulic fluids to DIN 51524 T1+T2.

Norm: ISO 7241 B

Temperature range:
-20 °C +100 °C

Note: rated flow / pressure drop compliant with ISO 7241-1 standard.

Specific instructions for installation, use and maintenance are separately provided.



STANDARD ISO 7241 B - POPPET SVK-ISO-B

Female coupling - Female thread

Item Code	ID (Dash)	ID (mm)	ID (in)	WP Conn. (Mpa)	BP Disconn. (Mpa)	Thread 1	F1	D1 (mm)	CH (mm)	L1 (mm)	L (mm)
1223633	4	6,0	1/4"	30,0	120,0	BSPP	1/4-19	28,5	19,0	58,0	72,0
1223636	6	10,0	3/8"	28,0	112,0	BSPP	3/8-19	35,0	24,0	65,0	81,0
1223632	8	13,0	1/2"	25,0	100,0	BSPP	1/2-14	44,5	28,5	74,0	93,5
1223635	12	19,0	3/4"	20,0	80,0	BSPP	3/4-14	54,0	36,0	92,0	113,0
1223631	16	25,0	1"	15,0	60,0	BSPP	1-11	63,5	41,0	103,0	127,0
1233775	4	6,0	1/4"	30,0	120,0	NPTF	1/4-18	28,5	19,0	58,0	72,0
1233777	6	10,0	3/8"	28,0	112,0	NPTF	3/8-18	35,0	24,0	65,0	81,0
1233779	8	13,0	1/2"	25,0	100,0	NPTF	1/2-14	44,5	28,5	74,0	93,5
1233781	12	19,0	3/4"	20,0	80,0	NPTF	3/4-14	54,0	36,0	92,0	113,0
1233783	16	25,0	1"	15,0	60,0	NPTF	1-11 1/2	63,5	41,0	103,0	127,0

Rated flow / pressure drop compliant with ISO 7241-1 standard. Specific instructions for installation, use and maintenance are separately provided.

STANDARD ISO 7241 B - POPPET SVK-ISO-B

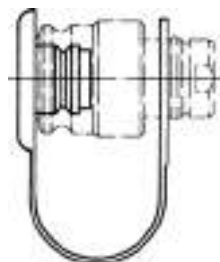
Male coupling - Female thread

Item Code	ID (Dash)	ID (mm)	ID (in)	WP Conn. (Mpa)	BP Disconn. (Mpa)	Thread 1	F1	D1 (mm)	CH (mm)	L1 (mm)	L (mm)
1223639	4	6,0	1/4"	30,0	120,0	BSPP	1/4-19	14,2	19,0	36,0	72,0
1223642	6	10,0	3/8"	28,0	112,0	BSPP	3/8-19	19,1	24,0	40,0	81,0
1223638	8	13,0	1/2"	25,0	100,0	BSPP	1/2-14	23,5	28,5	46,5	93,5
1223641	12	19,0	3/4"	20,0	80,0	BSPP	3/4-14	31,4	36,0	56,0	113,0
1223637	16	25,0	1"	15,0	60,0	BSPP	1-11	37,8	41,0	63,0	127,0
1233776	4	6,0	1/4"	30,0	120,0	NPTF	1/4-18	14,2	19,0	36,0	72,0
1233778	6	10,0	3/8"	28,0	112,0	NPTF	3/8-18	19,1	24,0	40,0	81,0
1233780	8	13,0	1/2"	25,0	100,0	NPTF	1/2-14	23,5	28,5	46,5	93,5
1233782	12	19,0	3/4"	20,0	80,0	NPTF	3/4-14	31,4	36,0	56,0	113,0
1233784	16	25,0	1"	15,0	60,0	NPTF	1-11 1/2	37,8	41,0	63,0	127,0

Rated flow / pressure drop compliant with ISO 7241-1 standard. Specific instructions for installation, use and maintenance are separately provided.

STANDARD ISO 7241 B - POPPET SVK-ISO-B

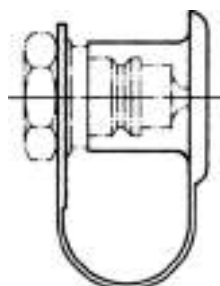
Dust plug for female coupling



Item Code	Colour	Material	ID (Dash)	ID (mm)	ID (in)
1237536	BLK	PE	4	6,0	1/4"
1224400	RED	PE	4	6,0	1/4"
1237537	BLK	PE	6	10,0	3/8"
1224401	RED	PE	6	10,0	3/8"
1224402	RED	PE	8	13,0	1/2"
1237538	BLK	PE	8	13,0	1/2"
1224403	RED	PE	12	19,0	3/4"
1237539	BLK	PE	12	19,0	3/4"
1237540	BLK	PE	16	25,0	1"
1224404	RED	PE	16	25,0	1"

STANDARD ISO 7241 B - POPPET SVK-ISO-B

Dust cap for male coupling



Item Code	Colour	Material	ID (Dash)	ID (mm)	ID (in)
1224394	RED	PE	4	6,0	1/4"
1237541	BLK	PE	4	6,0	1/4"
1224395	RED	PE	6	10,0	3/8"
1237542	BLK	PE	6	10,0	3/8"
1224396	RED	PE	8	13,0	1/2"
1237543	BLK	PE	8	13,0	1/2"
1237544	BLK	PE	12	19,0	3/4"
1224397	RED	PE	12	19,0	3/4"
1233293	BLK	PE	16	25,0	1"
1224398	RED	PE	16	25,0	1"

// SNK

POPPET INDUSTRY STANDARD



DN 6 to 25



to max WP 350 bar

- // Agricultural/normal series
- // Compatibility with other couplings in-use
- // DN 12 compatible with ISO 7241-1-A

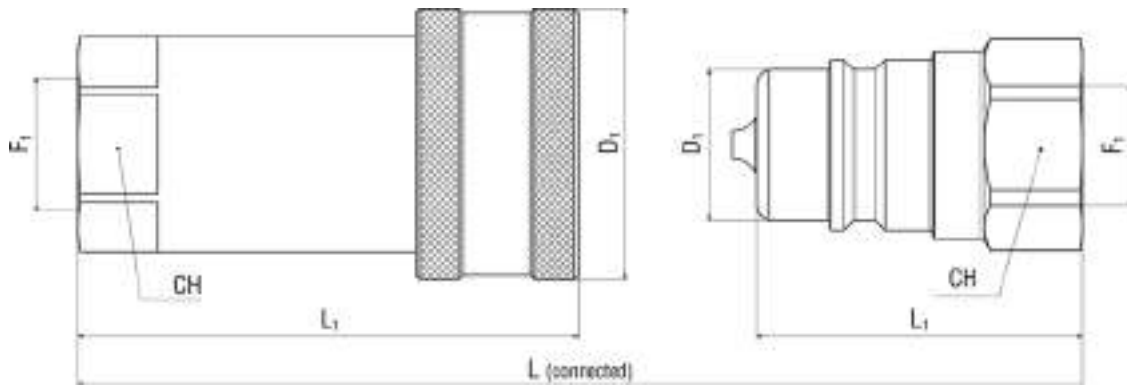
General features: ARGUS Agricultural/Normal quick release couplings are used for quick coupling and uncoupling of hydraulic lines. During the coupling action in zero or low-pressure ranges, valves that release or block the flow are automatically activated. The SNK quick release coupling, formed by the coupling plug and the coupling socket, is connected by pushing on a sleeve. This guarantees a flush connection between the two coupling halves.

Materials: galvanised steel with hardened parts subject to wear - NBR O-rings (other materials optional) - Thermoplastic dust cap and dust plug. Cr-III zinc plating through additional passivation for improved surface protection.

Application: suitable for liquid lines with mineral oil-based hydraulic fluids to DIN 51524 T1+T2.

Temperature range:
-20 °C +100 °C

Note: specific instructions for installation, use and maintenance are separately provided.



INDUSTRY STANDARD - POPPET SNK

Female coupling - Female thread

Item Code	ID (Dash)	ID (mm)	ID (in)	WP Conn. (Mpa)	BP Disconn. (Mpa)	Thread 1	F1	D1 (mm)	CH (mm)	L1 (mm)	L (mm)
1223670	4	6,0	1/4"	35,0	140,0	BSPP	1/4-19	27,6	19,0	53,5	72,0
1223672	6	10,0	3/8"	27,0	108,0	BSPP	3/8-19	34,0	24,0	63,0	83,0
1223671	12	19,0	3/4"	20,0	80,0	BSPP	3/4-14	48,2	34,0	82,5	108,0
1223669	16	25,0	1"	20,0	80,0	BSPP	1-11	56,5	41,0	96,5	127,0
1232516	4	6,0	1/4"	35,0	140,0	NPTF	1/4-18	27,6	19,0	53,5	72,0
1232517	6	10,0	3/8"	27,0	108,0	NPTF	3/8-18	34,0	24,0	63,0	83,0
1232519	12	19,0	3/4"	20,0	80,0	NPTF	3/4-14	48,2	34,0	82,5	108,0
1232520	16	25,0	1"	20,0	80,0	NPTF	1-11 1/2	56,5	41,0	96,5	127,0

Specific instructions for installation, use and maintenance are separately provided.

INDUSTRY STANDARD - POPPET SNK

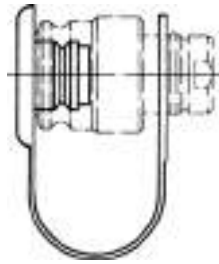
Male coupling - Female thread

Item Code	ID (Dash)	ID (mm)	ID (in)	WP Conn. (Mpa)	BP Disconn. (Mpa)	Thread 1	F1	D1 (mm)	CH (mm)	L1 (mm)	L (mm)
1223674	4	6,0	1/4"	35,0	140,0	BSPP	1/4-19	14,1	19,0	36,0	72,0
1223676	6	10,0	3/8"	27,0	108,0	BSPP	3/8-19	18,9	24,0	40,0	83,0
1223675	12	19,0	3/4"	20,0	80,0	BSPP	3/4-14	27,9	34,0	53,5	108,0
1223673	16	25,0	1"	20,0	80,0	BSPP	1-11	31,3	41,0	63,0	127,0
1232521	4	6,0	1/4"	35,0	140,0	NPTF	1/4-18	14,1	19,0	36,0	72,0
1232522	6	10,0	3/8"	27,0	108,0	NPTF	3/8-18	18,9	24,0	40,0	83,0
1232524	12	19,0	3/4"	20,0	80,0	NPTF	3/4-14	27,9	34,0	49,0	108,0
1232525	16	25,0	1"	20,0	80,0	NPTF	1-11 1/2	31,3	41,0	64,0	127,0

Specific instructions for installation, use and maintenance are separately provided.

INDUSTRY STANDARD - POPPET SNK

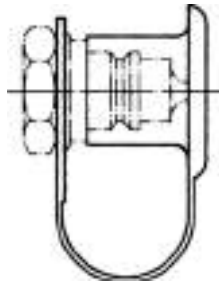
Dust plug for female coupling



Item Code	Colour	Material	ID (Dash)	ID (mm)	ID (in)
1224385	RED	PE	4	6,0	1/4"
1223630	RED	PE	6	10,0	3/8"
1223629	RED	PE	12	19,0	3/4"
1223626	RED	PE	16	25,0	1"

INDUSTRY STANDARD - POPPET SNK

Dust cap for male coupling



Item Code	Colour	Material	ID (Dash)	ID (mm)	ID (in)
1224383	RED	PE	4	6,0	1/4"
1223625	RED	PE	6	10,0	3/8"
1223624	RED	PE	12	19,0	3/4"
1223621	RED	PE	16	25,0	1"

// SNKB

BALL INDUSTRY STANDARD



DN 6 to 25



to max WP 350 bar

- // Ball valve
- // Agricultural/normal series
- // Compatibility with other couplings in-use
- // DN 12 compatible with ISO 7241-1-A

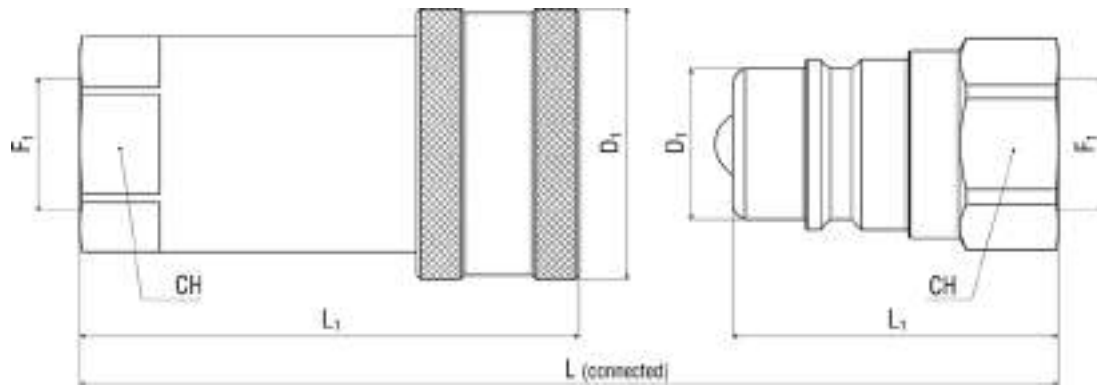
General features: ARGUS Agricultural/Normal quick release couplings with ball valve are used for quick coupling and uncoupling of hydraulic lines. During the coupling action in zero or lowpressure ranges, valves that release or block the flow are automatically activated. The SNKB quick release coupling, formed by the coupling plug and the coupling socket, is connected by pushing on a sleeve.

Materials: galvanised steel with hardened parts subject to wear - NBR O-rings (other materials optional) - Thermoplastic dust cap and dust plug. Cr-III zinc plating through additional passivation for improved surface protection.

Application: suitable for liquid lines with mineral oil-based hydraulic fluids to DIN 51524 T1+T2.

Temperature range:
-20 °C +100 °C

Note: specific instructions for installation, use and maintenance are separately provided.



INDUSTRY STANDARD - BALL SNKB

Female coupling - Female thread

Item Code	ID (Dash)	ID (mm)	ID (in)	WP Conn. (Mpa)	BP Disconn. (Mpa)	Thread 1	F1	D1 (mm)	CH (mm)	L1 (mm)	L (mm)
1223611	4	6,0	1/4"	35,0	140,0	BSPP	1/4-19	27,6	19,0	53,5	72,0
1223614	6	10,0	3/8"	27,0	108,0	BSPP	3/8-19	34,0	24,0	63,0	83,0
1223610	8	13,0	1/2"	27,0	108,0	BSPP	1/2-14	38,5	27,0	66,0	88,2
1223612	12	19,0	3/4"	20,0	80,0	BSPP	3/4-14	48,2	34,0	82,5	108,0
1223609	16	25,0	1"	20,0	80,0	BSPP	1-11	56,5	41,0	96,5	127,0
1234020	4	6,0	1/4"	35,0	140,0	NPTF	1/4-18	27,6	19,0	53,5	72,0
1234021	6	10,0	3/8"	27,0	108,0	NPTF	3/8-18	34,0	24,0	63,0	83,0
1234022	8	13,0	1/2"	27,0	108,0	NPTF	1/2-14	38,5	27,0	66,0	88,2
1234023	12	19,0	3/4"	20,0	80,0	NPTF	3/4-14	48,2	34,0	82,5	108,0
1234024	16	25,0	1"	20,0	80,0	NPTF	1-11 1/2	56,5	41,0	96,5	127,0

Specific instructions for installation, use and maintenance are separately provided.

INDUSTRY STANDARD - BALL SNKB

Male coupling - Female thread

Item Code	ID (Dash)	ID (mm)	ID (in)	WP Conn. (Mpa)	BP Disconn. (Mpa)	Thread 1	F1	D1 (mm)	CH (mm)	L1 (mm)	L (mm)
1223617	4	6,0	1/4"	35,0	140,0	BSPP	1/4-19	14,1	19,0	36,0	72,0
1223620	6	10,0	3/8"	27,0	108,0	BSPP	3/8-19	18,9	24,0	40,0	83,0
1223616	8	13,0	1/2"	27,0	108,0	BSPP	1/2-14	20,5	27,0	44,0	88,2
1223618	12	19,0	3/4"	20,0	80,0	BSPP	3/4-14	27,9	34,0	53,5	108,0
1223615	16	25,0	1"	20,0	80,0	BSPP	1-11	31,3	41,0	63,0	127,0
1234025	4	6,0	1/4"	35,0	140,0	NPTF	1/4-18	14,1	19,0	36,0	72,0
1234026	6	10,0	3/8"	27,0	108,0	NPTF	3/8-18	18,9	24,0	40,0	83,0
1234027	8	13,0	1/2"	27,0	108,0	NPTF	1/2-14	20,5	27,0	44,0	88,2
1234028	12	19,0	3/4"	20,0	80,0	NPTF	3/4-14	27,9	34,0	49,0	108,0
1234029	16	25,0	1"	20,0	80,0	NPTF	1-11 1/2	31,3	41,0	64,0	127,0

Specific instructions for installation, use and maintenance are separately provided.

// SHK

HIFLOW TRUCK TYPE POPPET

TOP COAT



DN 25



WP 300 bar

// Compatibility with other couplings in-use

// Optional pressure elimination system

General features: ARGUS SHK are used for quick coupling and uncoupling of hydraulic lines. During the coupling action in zero or low-pressure ranges, valves that release or block the flow are automatically activated. The SHK quick release coupling, formed by the coupling plug and the coupling socket, is coupled by pushing on a sleeve. This guarantees a flush connection between the two coupling halves. The sleeve is designed so that it has only to be moved in the relevant direction for disconnecting or connecting of coupling halves.

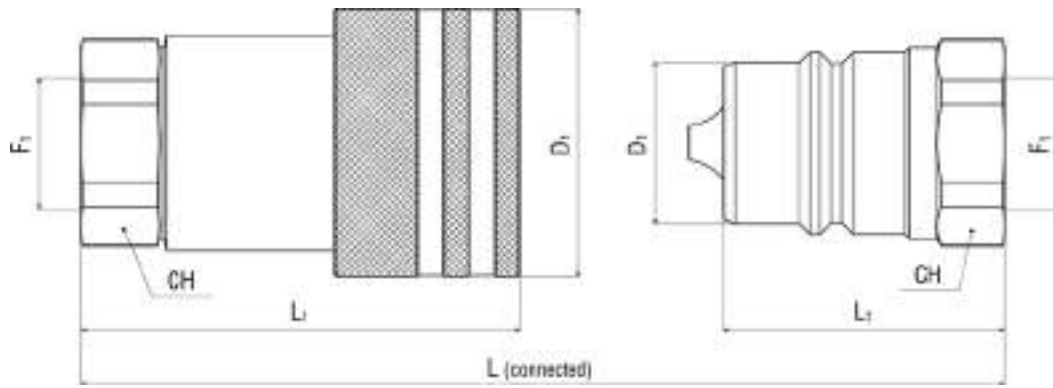
Materials: galvanised steel with hardened parts subject to wear - HNBR O-rings (other materials optional). Top Coat Cr-III zinc plating with additional trivalent passivation for outstanding surface protection.

Application: suitable for liquid lines with mineral oil-based hydraulic fluids to DIN 51524 T1+T2.

Temperature range:

-20 °C +125 °C

Note: rated flow / pressure drop values on request. Specific instructions for installation, use and maintenance are separately provided.



HIFLOW TRUCK TYPE - POPPET SHK

Female coupling - Female thread

Item Code	ID (Dash)	ID (mm)	ID (in)	WP Conn. (Mpa)	BP Disconn. (Mpa)	Thread 1	F1	D1 (mm)	CH (mm)	L1 (mm)	L (mm)
1233551	16	25,0	1"	30,0	120,0	BSPP	1-11	64,5	46,0	108,0	132,6

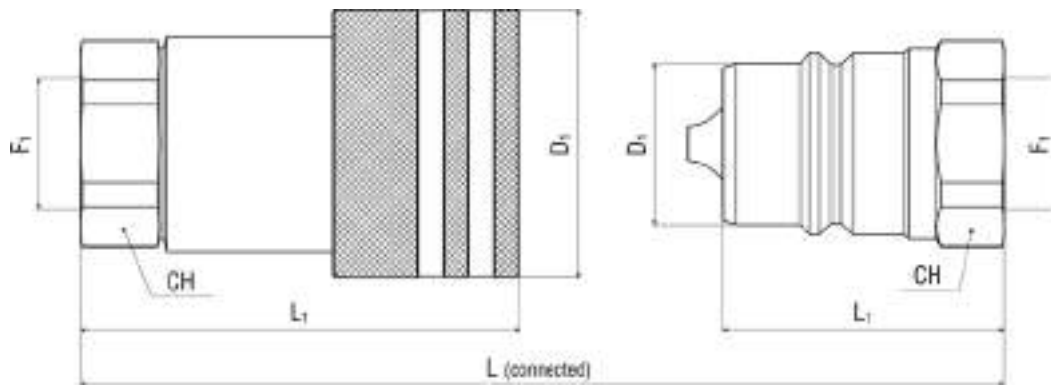
Rated flow / pressure drop values on request. Specific instructions for installation, use and maintenance are separately provided.

HIFLOW TRUCK TYPE - POPPET SHK

Male coupling - Female thread

Item Code	ID (Dash)	ID (mm)	ID (in)	WP Conn. (Mpa)	BP Disconn. (Mpa)	Thread 1	F1	D1 (mm)	CH (mm)	L1 (mm)	L (mm)
1233552	16	25,0	1"	30,0	120,0	BSPP	1-11	38,3	46,0	66,0	132,6

Rated flow / pressure drop values on request. Specific instructions for installation, use and maintenance are separately provided.



HIFLOW TRUCK TYPE PRESSURE ELIMINATION SYSTEM - POPPET SHK

Female coupling - Female thread

Item Code	ID (Dash)	ID (mm)	ID (in)	WP Conn. (Mpa)	BP Disconn. (Mpa)	Thread 1	F1	D1 (mm)	CH (mm)	L1 (mm)	L (mm)
1233723	16	25,0	1"	30,0	120,0	BSPP	1-11	64,5	46,0	108,0	132,6

Rated flow / pressure drop values on request. Specific instructions for installation, use and maintenance are separately provided.

HIFLOW TRUCK TYPE PRESSURE ELIMINATION SYSTEM - POPPET SHK

Male coupling - Female thread

Item Code	ID (Dash)	ID (mm)	ID (in)	WP Conn. (Mpa)	BP Disconn. (Mpa)	Thread 1	F1	D1 (mm)	CH (mm)	L1 (mm)	L (mm)
1233724	16	25,0	1"	30,0	120,0	BSPP	1-11	38,3	46,0	66,0	132,6

Rated flow / pressure drop values on request. Specific instructions for installation, use and maintenance are separately provided.

// **SLK & SLK PE**

SAFETY LOCK - POPPET CONNECTION STYLE

TOP COAT

DN 6 to 25



to max WP 450 bar

- // Fully interchangeability with other Nordic Series products
- // Connection under residual pressure (PE version)
- // Extra-safe construction thanks to safety lock
- // Configuration includes BSP female internal threads (others threads on request)
- // High resistance and durability under tough application
- // Available with protective caps

General features: the ARGUS SLK and SLK PE Nordic Series comprises a comprehensive range of hydraulic quick-release couplings specifically designed for the most demanding applications and heavy-duty equipment. This series distinguishes itself as a premier choice, excelling in both specifications and performance, providing a tough, durable product of superior quality. Constructed from Zi Ni treated carbon steel, the series is particularly well-suited for use in environments with severe climates, such as those found in the Nordic countries. This ensures maximum corrosion resistance and durability.

The series features a poppet valve mechanism that allows couplings to be connected under static pressure by hand. A safety sleeve guarantees fast and secure connections, preventing any accidental uncoupling. Additionally, enhanced sealing capability is ensured by an additional O-Ring and Back-up Ring. The SLK Pressure Eliminator (PE) facilitates connections in the presence of residual pressure.

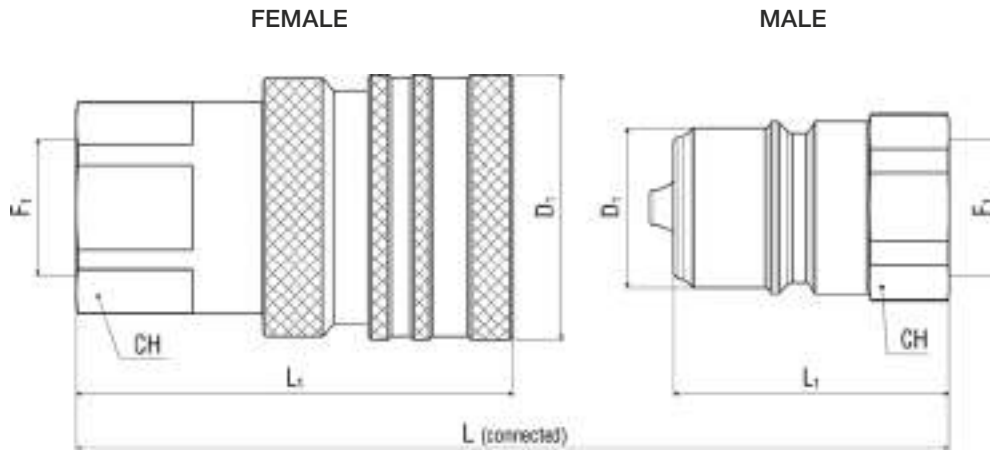
Materials: carbon steel - Zi Ni - NBR sealing parts (other material available on request).

Application: suitable for liquid lines with mineral oil-based hydraulic fluids to DIN 51524 T1+T2.

Temperature range:

-30 °C +125 °C

Note: specific instructions for installation, use and maintenance are separately provided.



SLK - NORDIC SERIES. SAFETY LOCK - POPPET CONNECTION STYLE

Female coupling - Female thread

Item Code	ID (Dash)	ID (mm)	ID (in)	WP Conn. (Mpa)	BP Disconn. (Mpa)	Thread 1	F1	D1 (mm)	CH (mm)	L1 (mm)	L (mm)
1232506	4	6,0	1/4"	45,0	180,0	BSPP	1/4-19	26,0	21,0	60,0	82,0
1232507	6	10,0	3/8"	35,0	140,0	BSPP	3/8-19	34,0	25,0	61,5	76,5
1232508	8	13,0	1/2"	30,0	120,0	BSPP	1/2-14	40,0	30,0	67,5	85,5
1232509	12	19,0	3/4"	28,0	112,0	BSPP	3/4-14	50,0	38,0	76,0	94,5
1232510	16	25,0	1"	25,0	100,0	BSPP	1-11	60,0	48,0	92,0	113,5

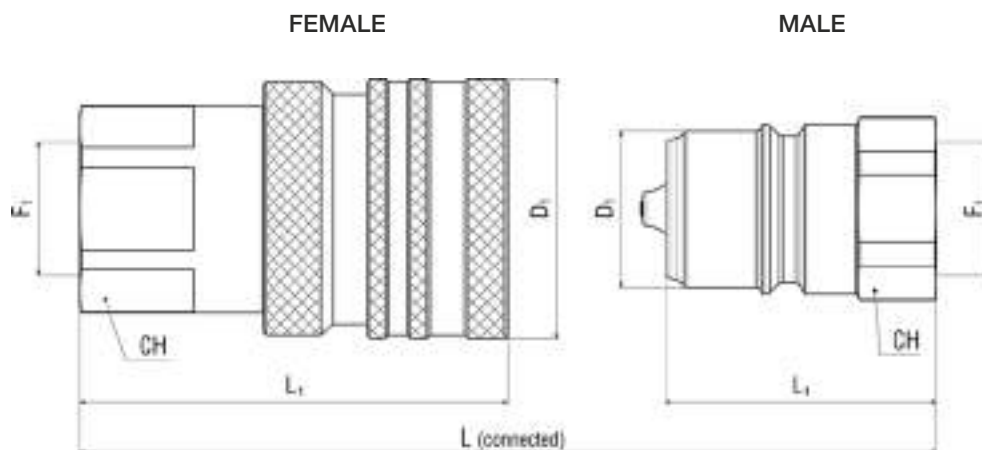
Rated flow / pressure drop values on request. Other sizes and connection types available on request.

SLK - NORDIC SERIES. SAFETY LOCK - POPPET CONNECTION STYLE

Male coupling - Female thread

Item Code	ID (Dash)	ID (mm)	ID (in)	WP Conn. (Mpa)	BP Disconn. (Mpa)	Thread 1	F1	D1 (mm)	CH (mm)	L1 (mm)	L (mm)
1232511	4	6,0	1/4"	45,0	180,0	BSPP	1/4-19	11,9	19,0	48,5	82,0
1232512	6	10,0	3/8"	35,0	140,0	BSPP	3/8-19	19,9	22,0	38,0	76,5
1232513	8	13,0	1/2"	30,0	120,0	BSPP	1/2-14	24,7	27,0	42,5	85,5
1232514	12	19,0	3/4"	28,0	112,0	BSPP	3/4-14	32,7	36,0	47,0	94,5
1232515	16	25,0	1"	25,0	100,0	BSPP	1-11	40,9	45,0	56,5	113,5

Rated flow / pressure drop values on request. Other sizes and connection types available on request.



SLK PE - NORDIC SERIES. SAFETY LOCK - POPPET CONNECTION STYLE - PRESSURE ELIMINATOR

Female coupling - Female thread

Item Code	ID (Dash)	ID (mm)	ID (in)	WP Conn. (Mpa)	BP Disconn. (Mpa)	Thread 1	F1	D1 (mm)	CH (mm)	L1 (mm)	L (mm)
1233056	6	10,0	3/8"	35,0	140,0	BSPP	3/8-19	34,0	25,0	61,5	76,5
1233057	8	13,0	1/2"	30,0	120,0	BSPP	1/2-14	40,0	30,0	67,5	85,5
1233058	12	19,0	3/4"	28,0	112,0	BSPP	3/4-14	50,0	38,0	76,0	94,5
1233059	16	25,0	1"	25,0	100,0	BSPP	1-11	60,0	48,0	92,0	113,5

Rated flow / pressure drop values on request. Other sizes and connection types available on request.

SLK PE - NORDIC SERIES. SAFETY LOCK - POPPET CONNECTION STYLE - PRESSURE ELIMINATOR

Male coupling - Female thread

Item Code	ID (Dash)	ID (mm)	ID (in)	WP Conn. (Mpa)	BP Disconn. (Mpa)	Thread 1	F1	D1 (mm)	CH (mm)	L1 (mm)	L (mm)
1233061	6	10,0	3/8"	35,0	140,0	BSPP	3/8-19	19,9	22,0	38,0	76,5
1233062	8	13,0	1/2"	30,0	120,0	BSPP	1/2-14	24,7	27,0	42,5	85,5
1233063	12	19,0	3/4"	28,0	112,0	BSPP	3/4-14	32,7	36,0	47,0	94,5
1233064	16	25,0	1"	25,0	100,0	BSPP	1-11	40,9	45,0	56,5	113,5

Rated flow / pressure drop values on request. Other sizes and connection types available on request

// SVK-1H-ISO-A

POPPET STANDARD ISO 7241 A

TOP COAT



DN 6 to 25



to max WP 400 bar

- // Quick and simple coupling and uncoupling
- // One-hand push pull operation
- // Break-away function
- // Low pressure drop

General features: ARGUS SVK-1H-ISO-A quick release couplings are used for quick coupling and uncoupling of loaded lines. During the coupling action in zero or low-pressure ranges, valves that release or block the flow are automatically activated. The SVK-1H-ISO-A quick release coupling, formed by the coupling plug and the coupling socket, is coupled by pushing on a sleeve. This guarantees a flush connection between the two coupling halves. The sleeve is designed so that it has only to be moved in the relevant direction for disconnecting or connecting of coupling halves. SVK-1H-ISO-A quick release couplings can be used as pull-off couplings by panel mounting the sleeve bush.

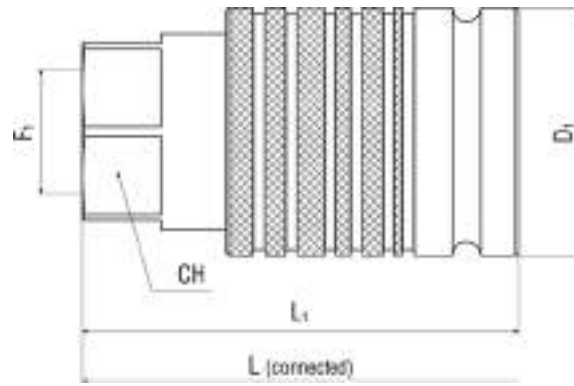
Materials: galvanised steel with hardened parts subject to wear - HNBR O-rings (other materials optional) - Galvanised steel threaded adapters for various connection types - Thermoplastic dust cap and dust plug (see SVK-ISO-A). Top Coat Cr-III zinc plating with additional trivalent passivation for outstanding surface protection.

Application: suitable for liquid lines with mineral oil-based hydraulic fluids to DIN 51524 T1+T2. Also available for flame-resistant hydraulic fluids to VDMA 24317, for pneumatic and water hydraulics in appropriate materials on request.

Norm:
ISO 7241 A
ISO 5675
SAE J 1036

Temperature range:
-30 °C +125 °C

Note: other sizes and connection types available on request. Specific instructions for installation, use and maintenance are separately provided.

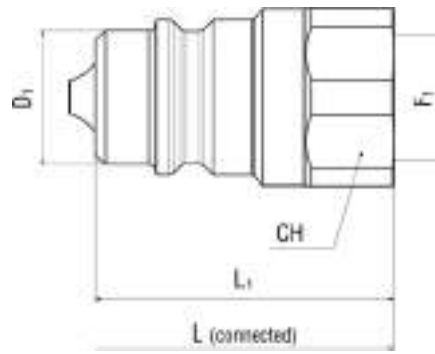


STANDARD ISO 7241 A PUSH PULL - POPPET SVK-1H-ISO-A

Female coupling - Female thread

Item Code	ID (Dash)	ID (mm)	ID (in)	WP Conn. (Mpa)	BP Disconn. (Mpa)	Thread 1	F1	D1 (mm)	CH (mm)	L1 (mm)	L (mm)
1233831	4	6,0	1/4"	40,0	160,0	BSPP	1/4-19	25,0	17,0	46,5	64,1
1233832	6	10,0	3/8"	40,0	160,0	BSPP	3/8-19	32,0	22,0	55,5	75,2
1234559	8	13,0	1/2"	25,0	100,0	BSPP	1/2-14	38,0	27,0	63,5	86,7
1233833	12	19,0	3/4"	25,0	100,0	BSPP	3/4-14	45,0	35,0	80,0	105,9
1233834	16	25,0	1"	25,0	100,0	BSPP	1-11	52,0	40,0	94,5	121,4
1233887	6	10,0	3/8"	40,0	160,0	MET	M16X1.5	32,0	22,0	54,0	73,2
1234562	8	13,0	1/2"	25,0	100,0	MET	M22X1.5	38,0	27,0	63,5	86,7
1233888	12	19,0	3/4"	25,0	100,0	MET	M30X1.5	45,0	35,0	77,0	99,4
1233879	4	6,0	1/4"	40,0	160,0	NPTF	1/4-18	25,0	17,0	48,0	67,1
1233880	6	10,0	3/8"	40,0	160,0	NPTF	3/8-18	32,0	22,0	55,5	75,2
1234560	8	13,0	1/2"	25,0	100,0	NPTF	1/2-14	38,0	27,0	63,5	86,7
1233881	12	19,0	3/4"	25,0	100,0	NPTF	3/4-14	45,0	35,0	80,0	105,9
1233882	16	25,0	1"	25,0	100,0	NPTF	1-11 1/2	52,0	40,0	94,5	121,4
1233883	4	6,0	1/4"	40,0	160,0	SAE-OB	7/16-20	25,0	17,0	46,5	64,1
1233884	6	10,0	3/8"	40,0	160,0	SAE-OB	3/4-16	32,0	24,0	57,5	79,2
1234561	8	13,0	1/2"	25,0	100,0	SAE-OB	3/4-16	38,0	27,0	63,5	86,7
1233885	12	19,0	3/4"	25,0	100,0	SAE-OB	1 1/16-12	45,0	35,0	82,5	110,9
1233886	16	25,0	1"	25,0	100,0	SAE-OB	1 5/16-12	52,0	40,0	94,5	121,4

Other sizes and connection types available on request. Specific instructions for installation, use and maintenance are separately provided.



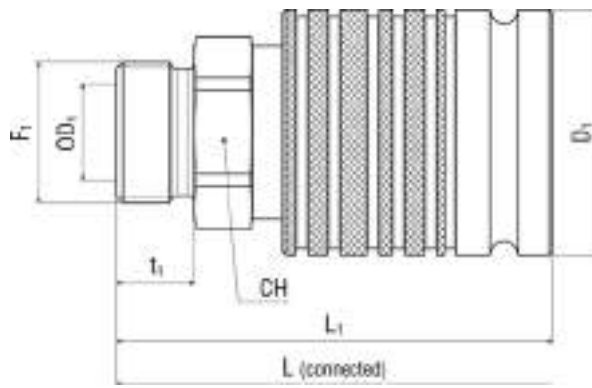
STANDARD ISO 7241 A PUSH PULL - POPPET SVK-1H-ISO-A

Male coupling - Female thread

Item Code	ID (Dash)	ID (mm)	ID (in)	WP Conn. (Mpa)	BP Disconn. (Mpa)	Thread 1	F1	D1 (mm)	CH (mm)	L1 (mm)	L (mm)
1233897	6	10,0	3/8"	40,0	160,0	MET	M16X1.5	17,3	22,0	36,0	73,2
1234566	8	13,0	1/2"	25,0	100,0	MET	M22X1.5	20,5	27,0	49,5	86,7
1233898	12	19,0	3/4"	25,0	100,0	MET	M30X1.5	29,1	35,0	49,5	99,4
1233893	4	6,0	1/4"	40,0	160,0	SAE-OB	7/16-20	11,8	19,0	32,0	64,1
1233894	6	10,0	3/8"	40,0	160,0	SAE-OB	3/4-16	17,3	24,0	39,5	79,2
1234565	8	13,0	1/2"	25,0	100,0	SAE-OB	3/4-16	20,5	27,0	49,5	86,7
1233895	12	19,0	3/4"	25,0	100,0	SAE-OB	1 1/16-12	29,1	35,0	55,5	110,9
1233896	16	25,0	1"	25,0	100,0	SAE-OB	1 5/16-12	34,3	40,0	60,5	121,3

Other sizes and connection types available on request. Specific instructions for installation, use and maintenance are separately provided.

For BSPP and NPTF thread see product "Male coupling - Female thread" at page 10

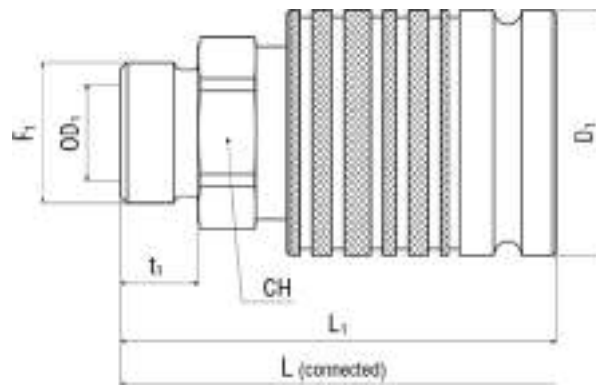


STANDARD ISO 7241 A PUSH PULL - POPPET SVK-1H-ISO-A

Female coupling - Metric 24° light/heavy series

Item Code	ID (Dash)	ID (mm)	ID (in)	WP Conn. (Mpa)	BP Disconn. (Mpa)	Thread 1	F1	OD1	D1 (mm)	t1 (mm)	CH (mm)	L1 (mm)	L (mm)
1234843	4	6,0	1/4"	40,0	160,0	D24L	M12X1.5	6	25,0	10,0	19,0	52,0	84,6
1234644	4	6,0	1/4"	40,0	160,0	D24L	M14X1.5	8	25,0	10,0	19,0	52,0	84,6
1233900	6	10,0	3/8"	40,0	160,0	D24L	M14X1.5	8	32,0	10,0	22,0	58,0	89,7
1233901	6	10,0	3/8"	40,0	160,0	D24L	M16X1.5	10	32,0	11,0	22,0	59,0	91,7
1234844	8	13,0	1/2"	25,0	100,0	D24L	M14X1.5	8	38,0	10,0	27,0	65,8	100,1
1234646	8	13,0	1/2"	25,0	100,0	D24L	M16X1.5	10	38,0	11,0	27,0	66,8	102,1
1234649	8	13,0	1/2"	25,0	100,0	D24L	M18X1.5	12	38,0	11,0	27,0	66,8	102,1
1234655	8	13,0	1/2"	25,0	100,0	D24L	M22X1.5	15	38,0	12,0	27,0	67,8	104,1
1234845	8	13,0	1/2"	25,0	100,0	D24L	M26X1.5	18	38,0	12,0	32,0	67,8	104,1
1234846	12	19,0	3/4"	25,0	100,0	D24L	M18X1.5	12	45,0	11,0	36,0	80,0	117,9
1233902	12	19,0	3/4"	25,0	100,0	D24L	M22X1.5	15	45,0	12,0	36,0	81,0	119,9
1233903	12	19,0	3/4"	25,0	100,0	D24L	M26X1.5	18	45,0	12,0	36,0	81,0	119,9
1233904	12	19,0	3/4"	25,0	100,0	D24L	M30X2	22	45,0	14,0	36,0	83,0	123,9
1234847	16	25,0	1"	20,0	80,0	D24L	M26X1.5	18	52,0	12,0	41,0	94,0	137,4
1234656	16	25,0	1"	20,0	80,0	D24L	M30X2	22	52,0	14,0	41,0	96,0	141,4
1234848	16	25,0	1"	20,0	80,0	D24L	M36X2	28	52,0	14,0	41,0	96,0	141,4
1234849	16	25,0	1"	20,0	80,0	D24L	M45X2	35	52,0	16,0	50,0	98,0	145,4
1233911	6	10,0	3/8"	40,0	160,0	D24S	M16X1.5	8	32,0	12,0	22,0	51,5	93,7
1233912	6	10,0	3/8"	40,0	160,0	D24S	M18X1.5	10	32,0	12,0	22,0	51,5	93,7
1233913	6	10,0	3/8"	40,0	160,0	D24S	M20X1.5	12	32,0	12,0	22,0	51,5	93,7
1234850	8	13,0	1/2"	25,0	100,0	D24S	M18X1.5	10	38,0	12,0	27,0	67,8	104,1
1234667	8	13,0	1/2"	25,0	100,0	D24S	M20X1.5	12	38,0	12,0	27,0	67,8	104,1
1234668	8	13,0	1/2"	25,0	100,0	D24S	M22X1.5	14	38,0	12,0	27,0	67,8	104,1
1234669	8	13,0	1/2"	25,0	100,0	D24S	M24X1.5	16	38,0	14,0	27,0	69,8	108,1
1233914	12	19,0	3/4"	25,0	100,0	D24S	M24X1.5	16	45,0	14,0	36,0	83,0	123,9
1233915	12	19,0	3/4"	25,0	100,0	D24S	M30X2	20	45,0	16,0	36,0	85,0	127,9
1233916	12	19,0	3/4"	25,0	100,0	D24S	M36X2	25	45,0	18,0	36,0	87,0	131,9
1234851	16	25,0	1"	20,0	80,0	D24S	M30X2	20	52,0	16,0	45,0	98,0	145,4
1234670	16	25,0	1"	20,0	80,0	D24S	M36X2	25	52,0	18,0	45,0	100,0	149,4
1234852	16	25,0	1"	20,0	80,0	D24S	M42X2	30	52,0	20,0	46,0	102,0	153,4
1234853	16	25,0	1"	20,0	80,0	D24S	M52X2	38	52,0	22,0	55,0	104,0	157,4

Other sizes and connection types available on request. Specific instructions for installation, use and maintenance are separately provided.

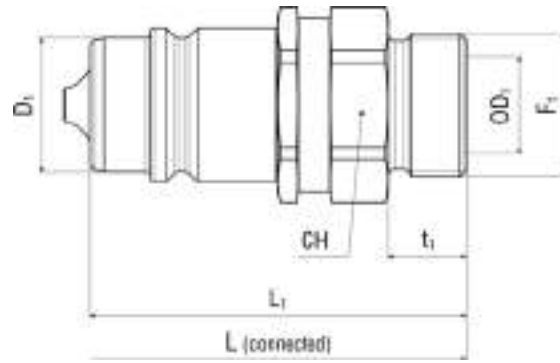


STANDARD ISO 7241 A PUSH PULL - POPPET SVK-1H-ISO-A

Female coupling - Male thread

Item Code	ID (Dash)	ID (mm)	ID (in)	WP Conn. (Mpa)	BP Disconn. (Mpa)	Thread 1	F1	OD1	D1 (mm)	t1 (mm)	CH (mm)	L1 (mm)	L (mm)
1234791	8	13,0	1/2"	25,0	100,0	MET	M22X1.5	12	38,0	11,0	27,0	66,8	102,1

Other sizes and connection types available on request. Specific instructions for installation, use and maintenance are separately provided.

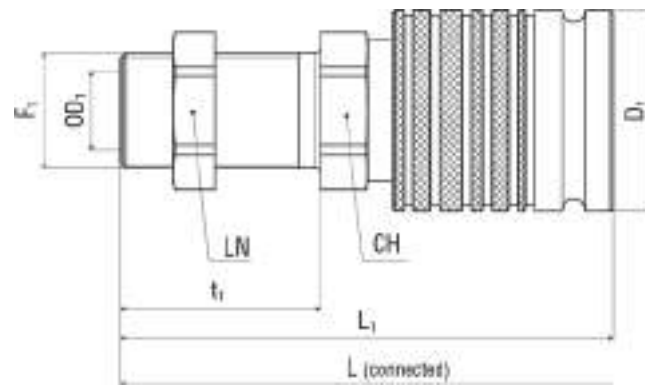


STANDARD ISO 7241 A PUSH PULL - POPPET SVK-1H-ISO-A

Male coupling - Metric 24° light/heavy series

Item Code	ID (Dash)	ID (mm)	ID (in)	WP Conn. (Mpa)	BP Disconn. (Mpa)	Thread 1	F1	OD1	D1 (mm)	t1 (mm)	CH (mm)	L1 (mm)	L (mm)
1234832	4	6,0	1/4"	40,0	160,0	D24L	M12X1.5	6	11,9	10,0	19,0	47,0	84,6
1234657	4	6,0	1/4"	40,0	160,0	D24L	M14X1.5	8	11,9	10,0	19,0	47,0	84,6
1234658	6	10,0	3/8"	40,0	160,0	D24L	M14X1.5	8	17,3	10,0	22,0	49,5	89,7
1234659	6	10,0	3/8"	40,0	160,0	D24L	M16X1.5	10	17,3	11,0	22,0	50,5	91,7
1234833	8	13,0	1/2"	25,0	100,0	D24L	M14X1.5	8	20,6	10,0	27,0	56,0	100,1
1234660	8	13,0	1/2"	25,0	100,0	D24L	M16X1.5	10	20,6	11,0	27,0	57,0	102,1
1234661	8	13,0	1/2"	25,0	100,0	D24L	M18X1.5	12	20,6	11,0	27,0	57,0	102,1
1234662	8	13,0	1/2"	25,0	100,0	D24L	M22X1.5	15	20,6	12,0	27,0	58,0	104,1
1234834	8	13,0	1/2"	25,0	100,0	D24L	M26X1.5	18	20,6	12,0	32,0	58,0	104,1
1234835	12	19,0	3/4"	25,0	100,0	D24L	M18X1.5	12	29,1	11,0	36,0	65,0	117,9
1234663	12	19,0	3/4"	25,0	100,0	D24L	M22X1.5	15	29,1	12,0	36,0	66,0	119,9
1234664	12	19,0	3/4"	25,0	100,0	D24L	M26X1.5	18	29,1	12,0	36,0	66,0	119,9
1234665	12	19,0	3/4"	25,0	100,0	D24L	M30X2	22	29,1	14,0	36,0	68,0	123,9
1234836	16	25,0	1"	20,0	80,0	D24L	M26X1.5	18	34,3	12,0	41,0	77,0	137,4
1234666	16	25,0	1"	20,0	80,0	D24L	M30X2	22	34,3	14,0	41,0	79,0	141,4
1234837	16	25,0	1"	20,0	80,0	D24L	M36X2	28	34,3	14,0	41,0	79,0	141,4
1234838	16	25,0	1"	20,0	80,0	D24L	M45X2	35	34,3	16,0	50,0	81,0	145,4
1234671	6	10,0	3/8"	40,0	160,0	D24S	M16X1.5	8	17,3	12,0	22,0	51,5	93,7
1234672	6	10,0	3/8"	40,0	160,0	D24S	M18X1.5	10	17,3	12,0	22,0	51,5	93,7
1234673	6	10,0	3/8"	40,0	160,0	D24S	M20X1.5	12	17,3	12,0	22,0	51,5	93,7
1234839	8	13,0	1/2"	25,0	100,0	D24S	M18X1.5	10	20,6	12,0	27,0	58,0	104,1
1234674	8	13,0	1/2"	25,0	100,0	D24S	M20X1.5	12	20,6	12,0	27,0	58,0	104,1
1234675	8	13,0	1/2"	25,0	100,0	D24S	M22X1.5	14	20,6	12,0	27,0	58,0	104,1
1234676	8	13,0	1/2"	25,0	100,0	D24S	M24X1.5	16	20,6	14,0	27,0	60,0	108,1
1234677	12	19,0	3/4"	25,0	100,0	D24S	M24X1.5	16	29,1	14,0	36,0	68,0	123,9
1234678	12	19,0	3/4"	25,0	100,0	D24S	M30X2	20	29,1	16,0	36,0	70,0	125,9
1233923	12	19,0	3/4"	25,0	100,0	D24S	M36X2	25	29,1	18,0	36,0	72,0	131,9
1234679	16	25,0	1"	20,0	80,0	D24S	M36X2	25	34,3	18,0	45,0	83,0	149,4
1234841	16	25,0	1"	20,0	80,0	D24S	M42X2	30	34,3	20,0	46,0	85,0	153,4
1234842	16	25,0	1"	20,0	80,0	D24S	M52X2	38	34,3	22,0	55,0	87,0	157,4

Other sizes and connection types available on request. Specific instructions for installation, use and maintenance are separately provided.

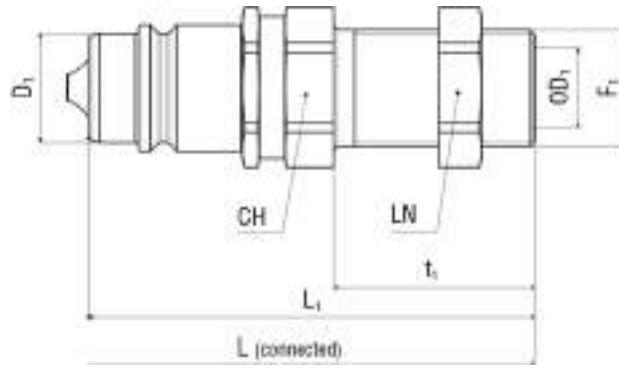


STANDARD ISO 7241 A PUSH PULL - POPPET SVK-1H-ISO-A

Female coupling - Metric 24° light/heavy series bulkhead

Item Code	ID (Dash)	ID (mm)	ID (in)	WP Conn. (Mpa)	BP Disconn. (Mpa)	Thread 1	F1	OD1	D1 (mm)	t1 (mm)	CH (mm)	LN (mm)	L1 (mm)	L (mm)
1234855	4	6,0	1/4"	40,0	160,0	D24L	M12X1.5	6	25,0	25,0	19,0	17,0	52,0	114,6
1234856	4	6,0	1/4"	40,0	160,0	D24L	M14X1.5	8	25,0	25,0	19,0	19,0	67,0	114,6
1234857	6	10,0	3/8"	40,0	160,0	D24L	M14X1.5	8	32,0	25,0	22,0	19,0	75,5	124,7
1234858	6	10,0	3/8"	40,0	160,0	D24L	M16X1.5	10	32,0	27,0	22,0	22,0	77,5	128,7
1234859	8	13,0	1/2"	25,0	100,0	D24L	M14X1.5	8	38,0	25,0	27,0	19,0	80,8	149,1
1234860	8	13,0	1/2"	25,0	100,0	D24L	M16X1.5	10	38,0	27,0	27,0	22,0	83,8	154,1
1234861	8	13,0	1/2"	25,0	100,0	D24L	M18X1.5	12	38,0	26,0	27,0	24,0	85,8	150,1
1234862	8	13,0	1/2"	25,0	100,0	D24L	M22X1.5	15	38,0	30,0	27,0	30,0	85,8	158,1
1234863	8	13,0	1/2"	25,0	100,0	D24L	M26X1.5	18	38,0	30,0	32,0	36,0	85,8	158,1
1234864	12	19,0	3/4"	25,0	100,0	D24L	M18X1.5	12	45,0	30,0	38,0	24,0	99,0	157,9
1234865	12	19,0	3/4"	25,0	100,0	D24L	M22X1.5	15	45,0	30,0	38,0	30,0	99,0	157,9
1234866	12	19,0	3/4"	25,0	100,0	D24L	M26X1.5	18	45,0	36,0	38,0	30,0	105,0	169,9
1234867	12	19,0	3/4"	25,0	100,0	D24L	M30X2	22	45,0	42,0	38,0	41,0	111,0	181,9
1234905	16	25,0	1"	20,0	80,0	D24L	M26X1.5	18	52,0	36,0	41,0	30,0	118,0	185,4
1234869	16	25,0	1"	20,0	80,0	D24L	M30X2	22	52,0	42,0	45,0	41,0	124,0	197,4
1234870	16	25,0	1"	20,0	80,0	D24L	M36X2	28	52,0	43,0	45,0	46,0	125,0	199,4
1234871	16	25,0	1"	20,0	80,0	D24L	M45X2	35	52,0	47,0	50,0	55,0	129,0	207,4
1235136	8	13,0	1/2"	25,0	100,0	D24S	M24X1.5	16	38,0	29,0	32,0	32,0	84,8	162,1

Other sizes and connection types available on request. Specific instructions for installation, use and maintenance are separately provided.



STANDARD ISO 7241 A PUSH PULL - POPPET SVK-1H-ISO-A

Male coupling - Metric 24° light series bulkhead

Item Code	ID (Dash)	ID (mm)	ID (in)	WP Conn. (Mpa)	BP Disconn. (Mpa)	Thread 1	F1	OD1	D1 (mm)	t1 (mm)	CH (mm)	LN (mm)	L1 (mm)	L (mm)
1234872	4	6,0	1/4"	40,0	160,0	D24L	M12X1.5	6	11,9	25,0	19,0	17,0	62,0	114,6
1234873	4	6,0	1/4"	40,0	160,0	D24L	M14X1.5	8	11,9	25,0	19,0	19,0	62,0	114,6
1234874	6	10,0	3/8"	40,0	160,0	D24L	M14X1.5	8	17,3	25,0	22,0	19,0	67,0	124,7
1234875	6	10,0	3/8"	40,0	160,0	D24L	M16X1.5	10	17,3	27,0	22,0	22,0	69,0	128,7
1234876	8	13,0	1/2"	25,0	100,0	D24L	M14X1.5	8	38,0	20,6	27,0	19,0	71,0	149,1
1234877	8	13,0	1/2"	25,0	100,0	D24L	M16X1.5	10	20,6	27,0	27,0	22,0	74,0	154,1
1234878	8	13,0	1/2"	25,0	100,0	D24L	M18X1.5	12	20,6	26,0	27,0	24,0	72,0	150,1
1234879	8	13,0	1/2"	25,0	100,0	D24L	M22X1.5	15	20,6	30,0	27,0	30,0	76,0	158,1
1234880	8	13,0	1/2"	25,0	100,0	D24L	M26X1.5	18	20,6	30,0	32,0	36,0	76,0	158,1
1234881	12	19,0	3/4"	25,0	100,0	D24L	M18X1.5	12	29,1	30,0	38,0	24,0	84,0	157,9
1234882	12	19,0	3/4"	25,0	100,0	D24L	M22X1.5	15	29,1	30,0	38,0	30,0	84,0	157,9
1234883	12	19,0	3/4"	25,0	100,0	D24L	M26X1.5	18	29,1	36,0	38,0	30,0	90,0	169,9
1234884	12	19,0	3/4"	25,0	100,0	D24L	M30X2	22	29,1	42,0	38,0	41,0	96,0	181,9
1234906	16	25,0	1"	20,0	80,0	D24L	M26X1.5	18	34,3	36,0	41,0	30,0	101,0	185,4
1234885	16	25,0	1"	20,0	80,0	D24L	M30X2	22	34,3	42,0	45,0	41,0	107,0	197,4
1234886	16	25,0	1"	20,0	80,0	D24L	M36X2	28	34,3	43,0	45,0	46,0	108,0	199,4
1234887	16	25,0	1"	20,0	80,0	D24L	M45X2	35	34,3	47,0	50,0	55,0	112,0	207,4

Other sizes and connection types available on request. Specific instructions for installation, use and maintenance are separately provided.

// SVK-1H

POPPET STANDARD ISO 5675

TOP COAT



DN 8 to 19



to max WP 400 bar

- // Quick and simple coupling and uncoupling
- // One-hand push pull operation
- // Break-away function
- // Low pressure drop
- // DN 12 compatible with ISO 7241-1-A

General features: ARGUS SVK-1H quick release couplings are used for quick coupling and uncoupling of hydraulic lines. During the coupling action in zero or low-pressure ranges, valves that release or block the flow are automatically activated. The SVK-1H quick release coupling, formed by the coupling plug and the coupling socket, is coupled by pushing on a sleeve. This guarantees a flush connection between the two coupling halves. The sleeve is designed so that it has only to be moved in the relevant direction for disconnecting or connecting of coupling halves. SVK-1H quick release couplings can be used as pull-off couplings by panel mounting the sleeve bush.

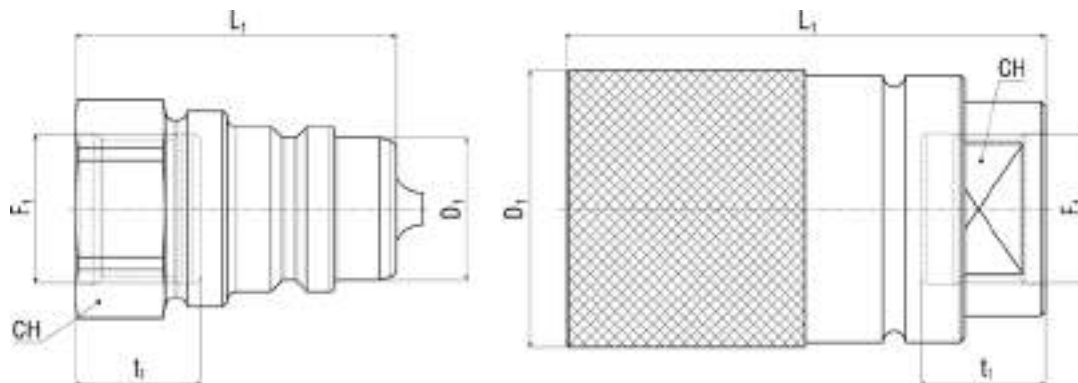
Materials: galvanised steel with hardened parts subject to wear - Brass valve stem guide - TPE poppet valve seal (PTFE optional) - HNBR O-rings (other materials optional) - Galvanised steel threaded adapters for various connection types - Polyethylene dust cap and dust plug. Top Coat Cr-III zinc plating with additional trivalent passivation for outstanding surface protection.

Application: suitable for liquid lines with mineral oil-based hydraulic fluids to DIN 51524 T1+T2. Also available for flame-resistant hydraulic fluids to VDMA 24317, for pneumatic and water hydraulics in appropriate materials on request.

Norm:
ISO 5675
SAE J 1036

Temperature range:
-30 °C +100 °C

Note: other sizes and connection types available on request. Specific instructions for installation, use and maintenance are separately provided.



STANDARD ISO 5675 - POPPET SVK-1H

Female coupling - Female thread

Item Code	ID (Dash)	ID (mm)	ID (in)	WP Conn. (Mpa)	Thread 1	F1	D1 (mm)	t1 (mm)	CH (mm)	L1 (mm)
1219634	5	8,0	5/16"	40,0	BSPP	3/8-19	32,0	9,0	19,0	54,0
1219632	8	13,0	1/2"	25,0	BSPP	1/2-14	39,0	16,0	27,0	63,0
1229069	12	19,0	3/4"	25,0	BSPP	1-11	51,0	18,0	36,0	88,5
1229089	5	8,0	5/16"	40,0	MET	M16X1.5	32,0	9,0	19,0	54,0
1229090	8	13,0	1/2"	25,0	MET	M22X1.5	39,0	16,0	27,0	63,0
1229091	12	19,0	3/4"	25,0	MET	M30X1.5	51,0	18,0	36,0	88,5

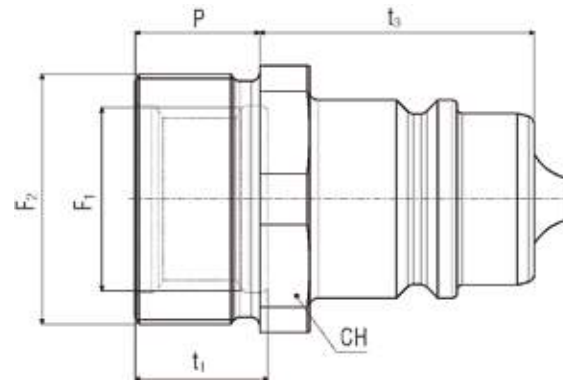
Other sizes and connection types available on request. Specific instructions for installation, use and maintenance are separately provided. DN 12 compatible with ISO 7241-1-A.

STANDARD ISO 5675 - POPPET SVK-1H

Male coupling - Female thread

Item Code	ID (Dash)	ID (mm)	ID (in)	WP Conn. (Mpa)	Thread 1	F1	D1 (mm)	t1 (mm)	CH (mm)	L1 (mm)
1219633	5	8,0	5/16"	40,0	BSPP	3/8-19	16,0	14,0	22,0	36,0
1219631	8	13,0	1/2"	25,0	BSPP	1/2-14	20,6	16,0	27,0	45,0
1229020	12	19,0	3/4"	25,0	BSPP	1-11	34,0	18,0	41,0	55,0
1229061	5	8,0	5/16"	40,0	MET	M16X1.5	16,0	14,0	22,0	36,0
1229062	8	13,0	1/2"	25,0	MET	M22X1.5	20,6	16,0	27,0	45,0
1229063	12	19,0	3/4"	25,0	MET	M30X1.5	34,0	18,0	41,0	55,0

Other sizes and connection types available on request. Specific instructions for installation, use and maintenance are separately provided. DN 12 compatible with ISO 7241-1-A.

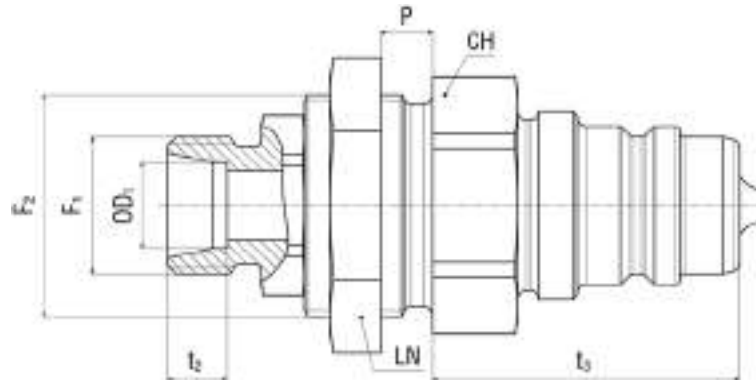


STANDARD ISO 5675 - POPPET SVK-1H

Male coupling - Internal/external thread panel mounting

Item Code	ID (Dash)	ID (mm)	ID (in)	WP Conn. (Mpa)	Thread 1	F1	F2	t1 (mm)	t3 (mm)	CH (mm)	P (mm)
1229058	5	8,0	5/16"	40,0	MET	M16X1,5	M26x1,5	14,0	36,0	27,0	15,0
1229059	8	13,0	1/2"	25,0	MET	M22X1,5	M30x1	16,0	33,0	32,0	15,0
1229060	12	19,0	3/4"	25,0	MET	M30X1,5	M45x1,5	18,0	55,0	46,0	28,0

Other sizes and connection types available on request. Specific instructions for installation, use and maintenance are separately provided.

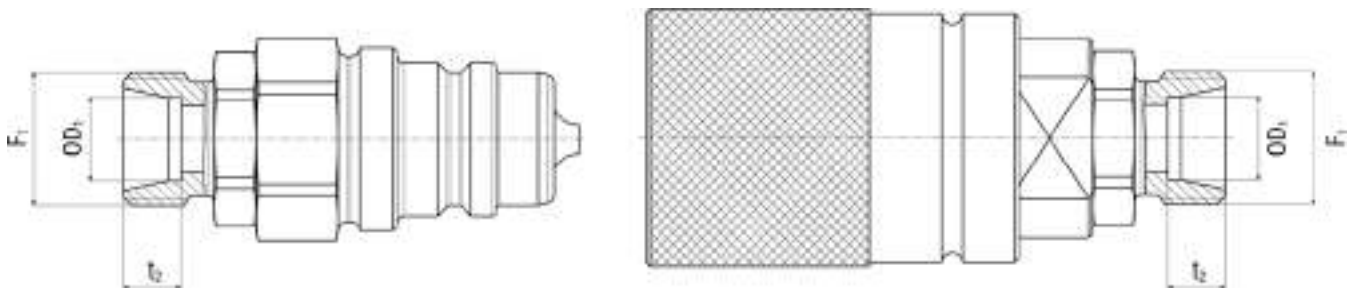


STANDARD ISO 5675 - POPPET SVK-1H

Male coupling - Metric 24° light/heavy series panel mounting

Item Code	ID (Dash)	ID (mm)	ID (in)	WP Conn. (Mpa)	Thread 1	F1	F2	OD1	t2 (mm)	t3 (mm)	CH (mm)	LN (mm)	P (mm)
1229022	5	8,0	5/16"	40,0	D24L	M12X1.5	M26x1,5	6	7,0	36,0	27,0	30,0	9,0
1229024	5	8,0	5/16"	40,0	D24L	M14X1.5	M26x1,5	8	7,0	36,0	27,0	30,0	9,0
1229026	5	8,0	5/16"	40,0	D24L	M16X1.5	M26x1,5	10	7,0	36,0	27,0	30,0	9,0
1229028	8	13,0	1/2"	25,0	D24L	M16X1.5	M30x1	10	7,0	33,0	32,0	36,0	9,0
1229030	8	13,0	1/2"	25,0	D24L	M18X1.5	M30x1	12	7,0	33,0	32,0	36,0	9,0
1229031	8	13,0	1/2"	25,0	D24L	M22X1.5	M30x1	15	7,0	33,0	32,0	36,0	9,0
1229034	12	19,0	3/4"	25,0	D24L	M22X1.5	M45x1,5	15	7,0	55,0	46,0	55,0	18,0
1229036	12	19,0	3/4"	25,0	D24L	M26X1.5	M45x1,5	18	7,5	55,0	46,0	55,0	18,0
1229037	12	19,0	3/4"	25,0	D24L	M30X2	M45x1,5	22	7,5	55,0	46,0	55,0	18,0
1229041	5	8,0	5/16"	40,0	D24S	M16X1.5	M26x1,5	8	7,0	36,0	27,0	30,0	9,0
1229043	5	8,0	5/16"	40,0	D24S	M18X1.5	M26x1,5	10	7,5	36,0	27,0	30,0	9,0
1229044	5	8,0	5/16"	40,0	D24S	M20X1.5	M26x1,5	12	7,5	36,0	27,0	30,0	9,0
1229047	8	13,0	1/2"	25,0	D24S	M20X1.5	M30x1	12	7,5	33,0	32,0	36,0	9,0
1229049	8	13,0	1/2"	25,0	D24S	M22X1.5	M30x1	14	8,0	33,0	32,0	36,0	9,0
1229050	8	13,0	1/2"	25,0	D24S	M24X1.5	M30x1	16	8,5	33,0	32,0	36,0	9,0
1229053	12	19,0	3/4"	25,0	D24S	M24X1.5	M45x1,5	16	8,5	55,0	46,0	55,0	18,0
1229054	12	19,0	3/4"	25,0	D24S	M30X2	M45x1,5	20	10,5	55,0	46,0	55,0	18,0
1229055	12	19,0	3/4"	25,0	D24S	M36X2	M45x1,5	25	12,0	55,0	46,0	55,0	18,0

Other sizes and connection types available on request. Specific instructions for installation, use and maintenance are separately provided.



STANDARD ISO 5675 - POPPET SVK-1H

Female coupling - Metric 24° light series

Item Code	ID (Dash)	ID (mm)	ID (in)	WP Conn. (Mpa)	Thread 1	OD1	t2 (mm)
1229070	5	8,0	5/16"	40,0	D24L	6	7,0
1229071	5	8,0	5/16"	40,0	D24L	8	7,0
1229072	5	8,0	5/16"	40,0	D24L	10	7,0
1229073	8	13,0	1/2"	25,0	D24L	10	7,0
1229074	8	13,0	1/2"	25,0	D24L	12	7,0
1229075	8	13,0	1/2"	25,0	D24L	15	7,0
1229076	12	19,0	3/4"	25,0	D24L	15	7,0
1229077	12	19,0	3/4"	25,0	D24L	18	7,5
1229078	12	19,0	3/4"	25,0	D24L	22	7,5

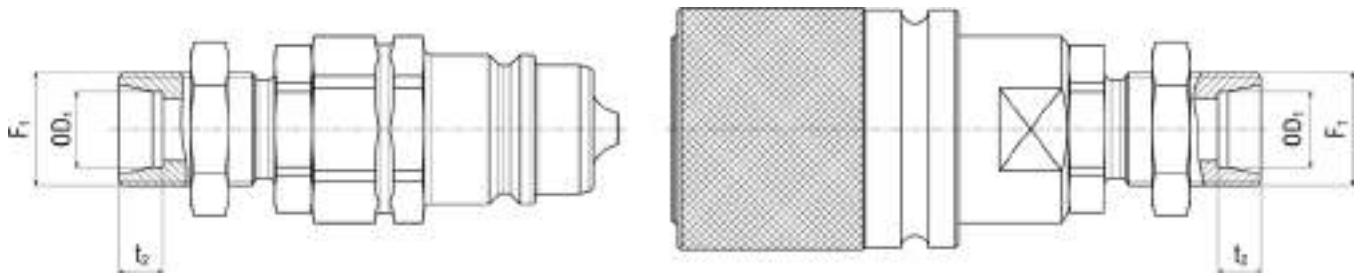
Other sizes and connection types available on request. Specific instructions for installation, use and maintenance are separately provided.

STANDARD ISO 5675 - POPPET SVK-1H

Male coupling - Metric 24° light series

Item Code	ID (Dash)	ID (mm)	ID (in)	WP Conn. (Mpa)	Thread 1	OD1	t2 (mm)
1229021	5	8,0	5/16"	40,0	D24L	6	7,0
1229023	5	8,0	5/16"	40,0	D24L	8	7,0
1229025	5	8,0	5/16"	40,0	D24L	10	7,0
1229027	8	13,0	1/2"	25,0	D24L	10	7,0
1229029	8	13,0	1/2"	25,0	D24L	12	7,0
1229032	8	13,0	1/2"	25,0	D24L	15	7,0
1229033	12	19,0	3/4"	25,0	D24L	15	7,0
1229035	12	19,0	3/4"	25,0	D24L	18	7,5
1229038	12	19,0	3/4"	25,0	D24L	22	7,5

Other sizes and connection types available on request. Specific instructions for installation, use and maintenance are separately provided.



STANDARD ISO 5675 - POPPET SVK-1H

Female coupling - Metric 24° light series bulkhead

Item Code	ID (Dash)	ID (mm)	ID (in)	WP Conn. (Mpa)	Thread 1	OD1	t2 (mm)
1229079	8	13,0	1/2"	25,0	D24L	12	7,0

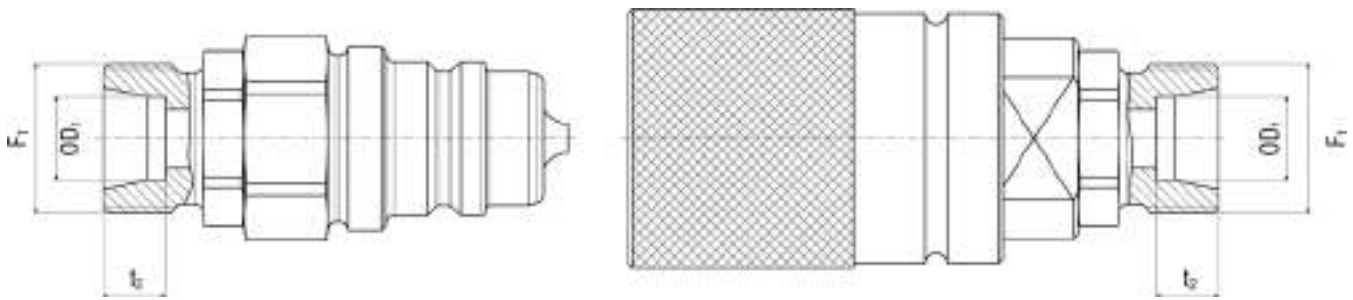
Other sizes and connection types available on request. Specific instructions for installation, use and maintenance are separately provided.

STANDARD ISO 5675 - POPPET SVK-1H

Male coupling - Metric 24° light series bulkhead

Item Code	ID (Dash)	ID (mm)	ID (in)	WP Conn. (Mpa)	Thread 1	OD1	t2 (mm)
1229039	8	13,0	1/2"	25,0	D24L	12	7,0

Other sizes and connection types available on request. Specific instructions for installation, use and maintenance are separately provided.



STANDARD ISO 5675 - POPPET SVK-1H

Female coupling - Metric 24° heavy series

Item Code	ID (Dash)	ID (mm)	ID (in)	WP Conn. (Mpa)	Thread 1	OD1	t2 (mm)
1229080	5	8,0	5/16"	40,0	D24S	8	7,0
1229081	5	8,0	5/16"	40,0	D24S	10	7,5
1229082	5	8,0	5/16"	40,0	D24S	12	7,5
1229083	8	13,0	1/2"	25,0	D24S	12	7,5
1229084	8	13,0	1/2"	25,0	D24S	14	8,0
1229085	8	13,0	1/2"	25,0	D24S	16	8,5
1229086	12	19,0	3/4"	25,0	D24S	16	8,5
1229087	12	19,0	3/4"	25,0	D24S	20	10,5
1229088	12	19,0	3/4"	25,0	D24S	25	12,0

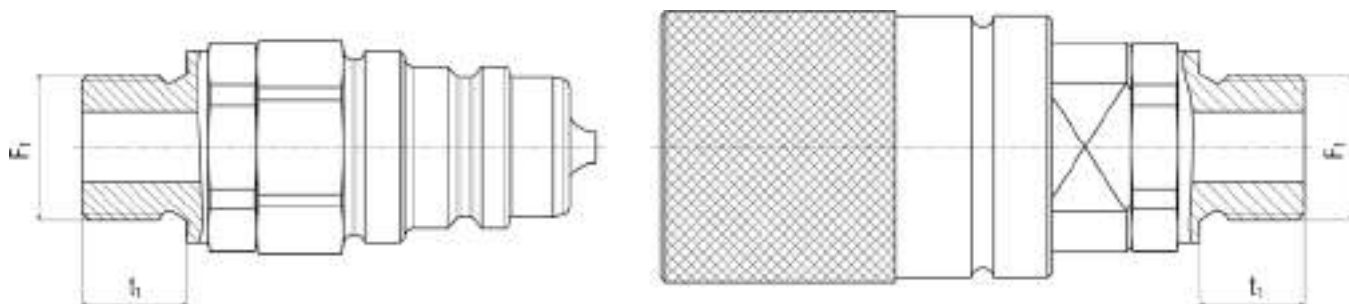
Other sizes and connection types available on request. Specific instructions for installation, use and maintenance are separately provided.

STANDARD ISO 5675 - POPPET SVK-1H

Male coupling - Metric 24° heavy series

Item Code	ID (Dash)	ID (mm)	ID (in)	WP Conn. (Mpa)	Thread 1	OD1	t2 (mm)
1229040	5	8,0	5/16"	40,0	D24S	8	7,0
1229042	5	8,0	5/16"	40,0	D24S	10	7,5
1229045	5	8,0	5/16"	40,0	D24S	12	7,5
1229046	8	13,0	1/2"	25,0	D24S	12	7,5
1229048	8	13,0	1/2"	25,0	D24S	14	8,0
1229051	8	13,0	1/2"	25,0	D24S	16	8,5
1229052	12	19,0	3/4"	25,0	D24S	16	8,5
1229056	12	19,0	3/4"	25,0	D24S	20	10,5
1229057	12	19,0	3/4"	25,0	D24S	25	12,0

Other sizes and connection types available on request. Specific instructions for installation, use and maintenance are separately provided.



STANDARD ISO 5675 - POPPET SVK-1H

Female coupling - Male thread

Item Code	ID (Dash)	ID (mm)	ID (in)	WP Conn. (Mpa)	Thread 1	t1 (mm)
1229064	5	8,0	5/16"	40,0	BSPP	12,0
1229065	5	8,0	5/16"	40,0	BSPP	12,0
1229066	8	13,0	1/2"	25,0	BSPP	14,0
1229067	12	19,0	3/4"	25,0	BSPP	18,0
1229068	12	19,0	3/4"	25,0	BSPP	16,0

Other sizes and connection types available on request. Specific instructions for installation, use and maintenance are separately provided. DN 12 compatible with ISO 7241-1-A.

STANDARD ISO 5675 - POPPET SVK-1H

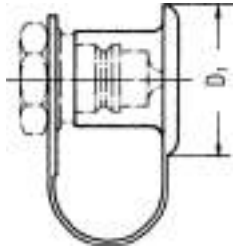
Male coupling - Male thread

Item Code	ID (Dash)	ID (mm)	ID (in)	WP Conn. (Mpa)	Thread 1	t1 (mm)
1229016	5	8,0	5/16"	40,0	BSPP	12,0
1229015	5	8,0	5/16"	40,0	BSPP	12,0
1229017	8	13,0	1/2"	25,0	BSPP	14,0
1229018	12	19,0	3/4"	25,0	BSPP	18,0
1229019	12	19,0	3/4"	25,0	BSPP	16,0

Other sizes and connection types available on request. Specific instructions for installation, use and maintenance are separately provided. DN 12 compatible with ISO 7241-1-A.

STANDARD ISO 5675 - POPPET SVK-1H

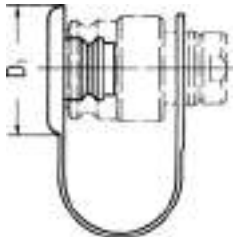
Dust cap for male coupling



Item Code	Material	ID (Dash)	ID (mm)	ID (in)	D1 (mm)
1228896	PE	5	8,0	5/16"	45,0
1228891	PE	8	13,0	1/2"	50,0
1228893	PE	12	19,0	3/4"	65,0

STANDARD ISO 5675 - POPPET SVK-1H

Dust plug for female coupling



Item Code	Colour	Material	ID (Dash)	ID (mm)	ID (in)
1240274	BLK	PE	8	13,0	1/2"

STANDARD ISO 5675 - POPPET SVK-1H

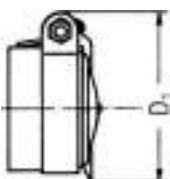
Dust cap with clip for female coupling



Item Code	Colour	Material	ID (Dash)	ID (mm)	ID (in)
1240274	BLK	PE	8	13,0	1/2"

STANDARD ISO 5675 - POPPET SVK-1H

Dust cap with clip for female coupling and coloured disk



Item Code	Colour	Material	ID (Dash)	ID (mm)	ID (in)
1240270	BLK	PA-Nylon	8	13,0	1/2"
1219264	RED	PA-Nylon	8	13,0	1/2"
1234642	BLU	PE	8	13,0	1/2"

// PVK-RACING

POPPET



DN 8 to 13



WP 20 bar

- // Base material aluminium
- // Break-away function
- // One-hand push pull operation
- // Low pressure drop

General features: ARGUS PVK-Racing quick release couplings are used for quick coupling and uncoupling of fluid lines. During the coupling action in zero or low-pressure ranges, valves that release or block the flow are automatically activated. The PVK-Racing quick release coupling, formed by the coupling plug and the coupling socket, is coupled by pushing on a sleeve. This guarantees a flush connection between the two coupling halves. The sleeve is designed so that it has only to be moved in the relevant direction for disconnecting or connecting of coupling halves. PVK-Racing quick release couplings can be used as pull-off couplings by panel mounting the sleeve bush.

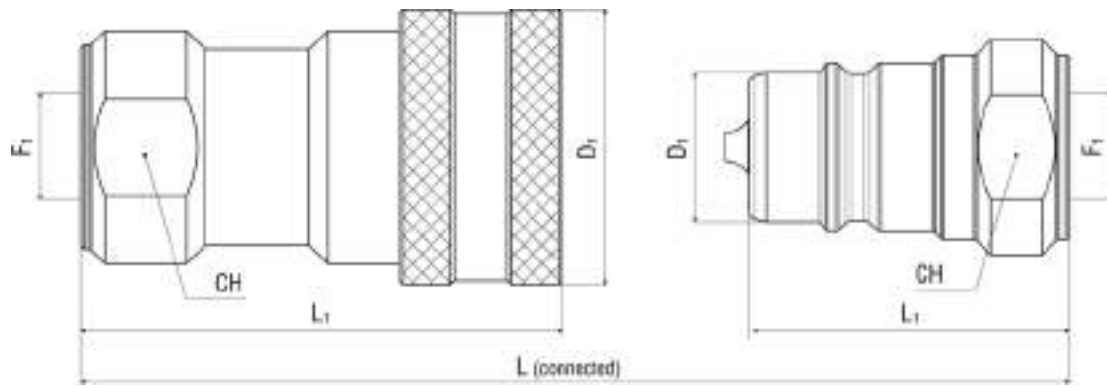
Materials: aluminium - Brass valve stem guide - TPE poppet valve seal (PTFE optional) - NBR O-rings (other materials optional) - Thermoplastic dust cap and dust plug.

Temperature range:

-30 °C +100 °C

Note: other sizes and connection types available on request. Specific instructions for installation, use and maintenance are separately provided.

Design and dimensions shown may be changed without prior notice



STANDARD ISO 7241 B - POPPET PVK-RACING

Female coupling - Female thread

Item Code	ID (Dash)	ID (mm)	ID (in)	WP Conn. (Mpa)	Thread 1	F1	D1 (mm)	CH (mm)	L1 (mm)	L (mm)
1237391	6	10,0	3/8"	2,0	BSPP	3/8-19	35,0	27,0	61,5	82,1

Other sizes and connection types available on request. Specific instructions for installation, use and maintenance are separately provided.

STANDARD ISO 7241 B - POPPET PVK-RACING

Male coupling - Female thread

Item Code	ID (Dash)	ID (mm)	ID (in)	WP Conn. (Mpa)	Thread 1	F1	D1 (mm)	CH (mm)	L1 (mm)	L (mm)
1237392	6	10,0	3/8"	2,0	BSPP	3/8-19	19,0	24,0	41,0	82,1

Other sizes and connection types available on request. Specific instructions for installation, use and maintenance are separately provided.

// SPK-1H & SPK-1H PE

POPPET STANDARD ISO 5675

TOP COAT



DN 13



WP 250 bar

- // One-hand push pull operation
- // Break-away function
- // Low pressure drop
- // Compatible with ISO 7241-1-A
- // SPK-1H PE connectable under pressure

General features: connectable under pressure ARGUS SPK-1H and SPK-1H PE quick release couplings are not only for coupling to hydraulic auxiliary equipment under pressure, but they also prevent from unintentional closing through the intervening backflow effect (i.e. through quickly reducing loads). The double valve stroke required for the coupling to a pressurized plug is limited in the operating condition by a lock, which is not disengaged until decoupling occurs. This prevents any uncontrolled blocking of the hydraulic flow. The sleeve must be relieved during the coupling action. The pressurized cartridge valve is opened by applying pressure on the socket side.

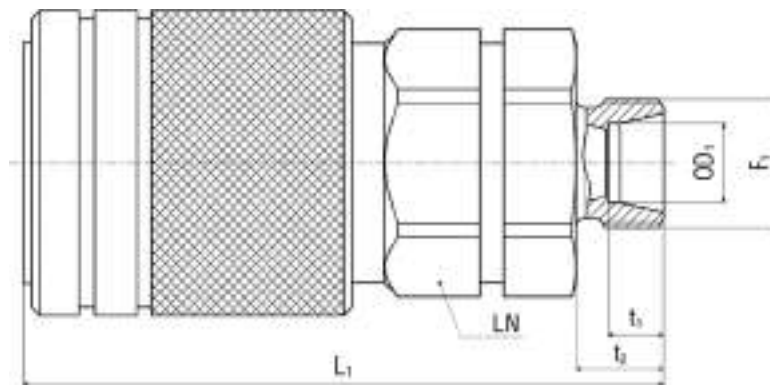
Materials: materials, flow losses and temperatures are comparable to ARGUS SVK-1H quick release couplings. The two couplings can be interchanged, coupled and used as a pull-off coupling. For use with SVK-ISO-A or SVK-1H coupling plugs.

Application: suitable for liquid lines with mineral oil-based hydraulic fluids to DIN 51524 T1+T2. Also available for flame-resistant hydraulic fluids to VDMA 24317, for pneumatic and water hydraulics in appropriate materials on request.

Norm:
ISO 5675
SAE J 1036

Temperature range:
-30 °C +125 °C

Note: other sizes and connection types available on request. Specific instructions for installation, use and maintenance are separately provided.

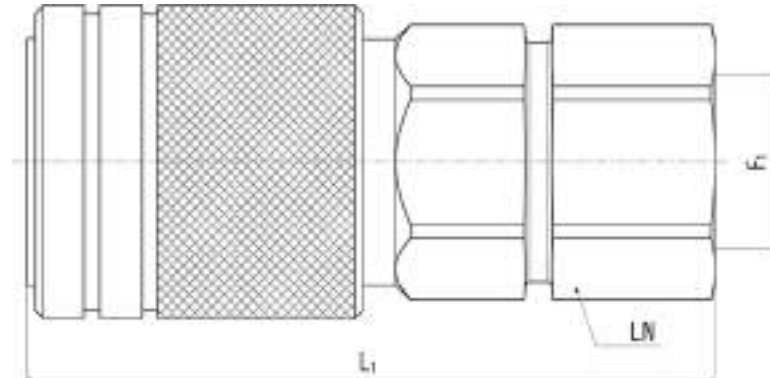


STANDARD ISO 5675 - POPPET SPK-1H

Female coupling - Metric 24° light series

Item Code	ID (Dash)	ID (mm)	ID (in)	WP Conn. (Mpa)	Thread 1	F1	OD1	t1 (mm)	t2 (mm)	LN (mm)	L1 (mm)
1229008	8	13,0	1/2"	25,0	D24L	M16X1.5	10	11,0	7,0	30,0	80,0
1229009	8	13,0	1/2"	25,0	D24L	M18X1.5	12	11,0	7,0	30,0	78,0
1229010	8	13,0	1/2"	25,0	D24L	M22X1.5	15	12,0	7,0	30,0	78,0

Materials, flow losses and temperatures are comparable to ARGUS SVK-1H quick release couplings. The two couplings can be interchanged, coupled and used as a pull-off coupling. For use with SVK-ISO-A or SVK-1H coupling plugs. Other sizes and connection types available on request. Specific instructions for installation, use and maintenance are separately provided.

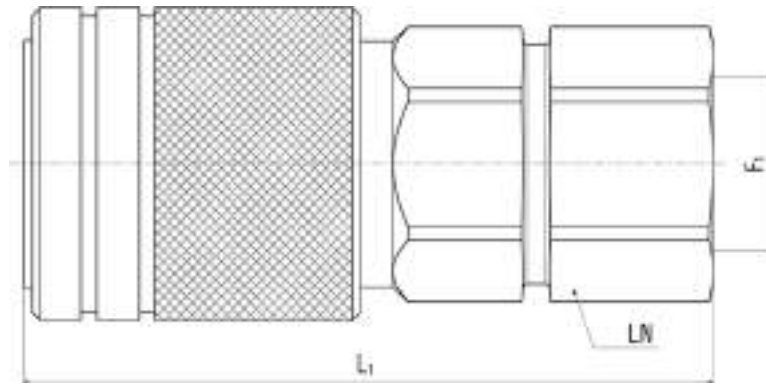


STANDARD ISO 5675 - POPPET SPK-1H

Female coupling - Female thread

Item Code	ID (Dash)	ID (mm)	ID (in)	WP Conn. (Mpa)	Thread 1	F1	LN (mm)	L1 (mm)
1231470	8	13,0	1/2"	25,0	BSPP	1/2-14	30,0	84,0
1231473	8	13,0	1/2"	25,0	MET	M22X1.5	30,0	84,0
1231471	8	13,0	1/2"	25,0	NPTF	1/2-14	30,0	84,0
1231472	8	13,0	1/2"	25,0	SAE-OB	3/4-16	30,0	84,0

Compatible with ISO 7241-1-A. Materials, flow losses and temperatures are comparable to ARGUS SVK-1H quick release couplings. The two couplings can be interchanged, coupled and used as a pull-off coupling. For use with SVK-ISO-A or SVK-1H coupling plugs. Other sizes and connection types available on request. Specific instructions for installation, use and maintenance are separately provided.



STANDARD ISO 5675 - POPPET SPK-1H PE

Female coupling - Female thread

Item Code	ID (Dash)	ID (mm)	ID (in)	WP Conn. (Mpa)	BP Disconn. (Mpa)	Thread 1	F1	LN (mm)	L1 (mm)
1253496	8	13,0	1/2"	25,0	100,0	NPTF	1/2-14	30,0	84,0

Compatible with ISO 7241-1-A. Materials, flow losses and temperatures are comparable to ARGUS SVK-1H quick release couplings. The two couplings can be interchanged, coupled and used as a pull-off coupling. For use with SVK-ISO-A or SVK-1H coupling plugs. Other sizes and connection types available on request. Specific instructions for installation, use and maintenance are separately provided.

// SRK-1H

POPPET RIGID PIPES ISO 5675

TOP COAT



DN 13



WP 250 bar

// Connectable with male part under pressure

// One-shot connection under pressure

// One-hand push pull operation

// Break-away function

// Compatible with ISO 7241-1-A

General features: connectable under pressure ARGUS SRK-1H quick release couplings are specifically designed to be directly connected to rigid pipes or distributors.

Materials: galvanised steel with hardened parts subject to wear
 - Brass valve stem guide - TPE poppet valve seal (PTFE optional)
 - HNBR O-rings (other materials optional) - Thermoplastic dust cap and dust plug. Top Coat Cr-III zinc plating with additional trivalent passivation for outstanding surface protection.

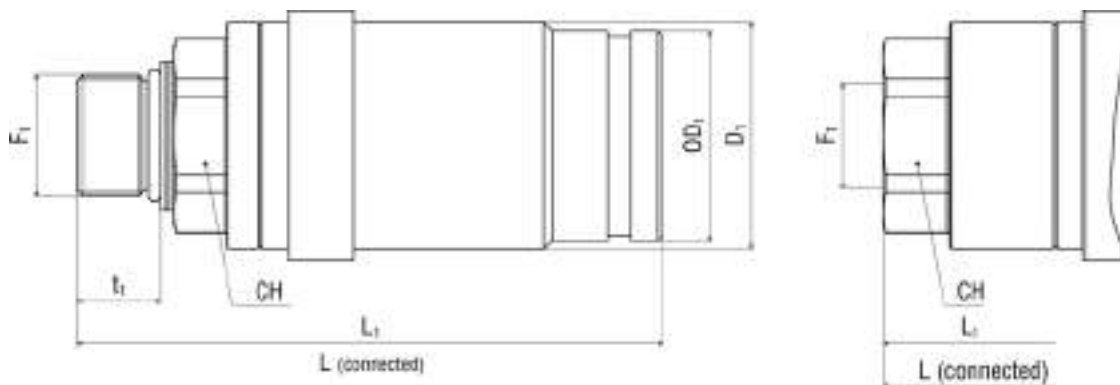
Application: suitable for liquid lines with mineral oil-based hydraulic fluids to DIN 51524 T1+T2. Also available for flame-resistant hydraulic fluids to VDMA 24317, for pneumatic and water hydraulics in appropriate materials on request.

Norm: ISO 5675

Temperature range:

-30 °C +125 °C

Note: rated flow / pressure drop values on request. Other sizes and connection types available on request. Specific instructions for installation, use and maintenance are separately provided.



STANDARD ISO 5675 - POPPET SRK-1H

Female coupling - Male thread

Item Code	ID (Dash)	ID (mm)	ID (in)	WP Conn. (Mpa)	BP Disconn. (Mpa)	Thread 1	F1	OD1	D1 (mm)	t1 (mm)	CH (mm)	L1 (mm)	L (mm)
1232324	8	13,0	1/2"	25,0	100,0	D24L	M22X1.5	38	41,0	15,0	32,0	106,0	142,2
1234641	8	13,0	1/2"	25,0	100,0	D24L	M18X1.5	38	41,0	14,0	32,0	105,0	141,2
1246328	8	13,0	1/2"	25,0	100,0	D24L	M22X1.5	38	38,0	15,0	32,0	109,5	145,7
1239799	8	13,0	1/2"	25,0	100,0	MET	M18X1.5	38	41,0	14,0	32,0	105,0	141,2

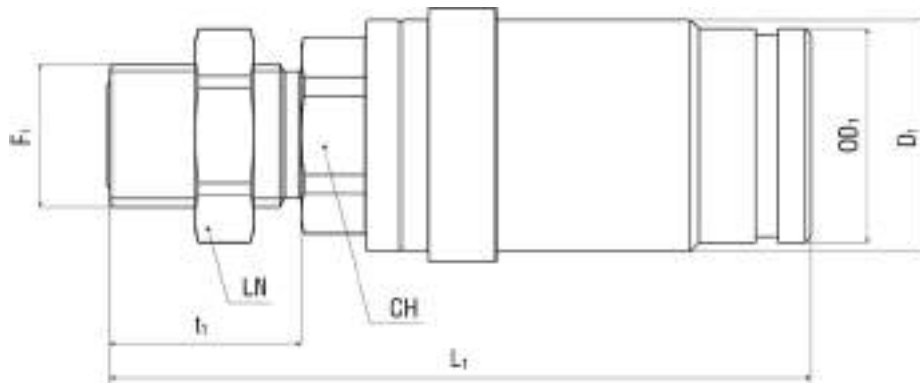
Rated flow / pressure drop values on request. Other sizes and connection types available on request.

STANDARD ISO 5675 - POPPET SRK-1H

Female coupling - Female thread

Item Code	ID (Dash)	ID (mm)	ID (in)	WP Conn. (Mpa)	BP Disconn. (Mpa)	Thread 1	F1	D1 (mm)	CH (mm)	L1 (mm)	L (mm)
1257230	8	13,0	1/2"	25,0	100,0	BSPP	1/2-14	38,0	32,0	110,0	145,7
1235028	8	13,0	1/2"	25,0	100,0	BSPP	1/2-14	41,0	32,0	104,0	140,2
1235029	8	13,0	1/2"	25,0	100,0	NPTF	1/2-14	41,0	32,0	103,0	139,2

Rated flow / pressure drop values on request. Other sizes and connection types available on request.



STANDARD ISO 5675 - POPPET SRK-1H

Female coupling - Bulkhead thread

Item Code	ID (Dash)	ID (mm)	ID (in)	WP Conn. (Mpa)	BP Disconn. (Mpa)	Thread 1	F1	OD1	D1 (mm)	t1 (mm)	CH (mm)	LN (mm)	L1 (mm)
1236608	8	13,0	1/2"	25,0	100,0	ORFS	1-14	38	41,0	15,0	32,0	34,0	124,5

Rated flow / pressure drop values on request. Other sizes and connection types available on request.

// SRK-1H PE PLUS

POPPET RIGID PIPES ISO 5675

TOP COAT



DN 13



WP 250 bar

- // Connectable under pressure
- // No back drainage required
- // One-shot connection under pressure
- // One-hand push pull operation
- // Break-away function
- // Compatible with ISO 7241-1-A

General features: connectable under pressure ARGUS SRK-1H PE PLUS quick release couplings are specifically designed to be directly connected to rigid pipes or distributors.

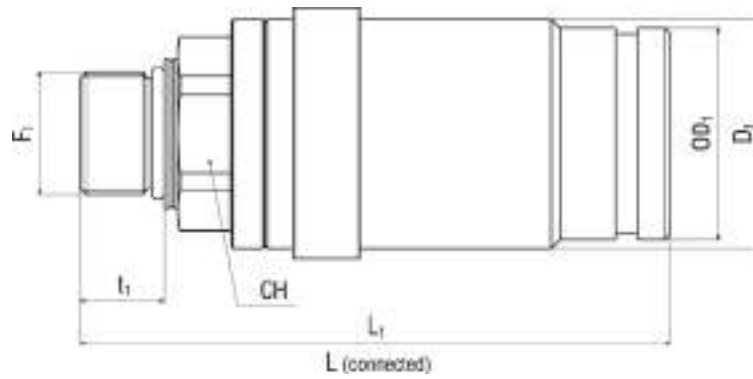
Materials: galvanised steel with hardened parts subject to wear
 - Brass valve stem guide - TPE poppet valve seal (PTFE optional)
 - HNBR O-rings (other materials optional) - Thermoplastic dust cap and dust plug. Top Coat Cr-III zinc plating with additional trivalent passivation for outstanding surface protection.

Application: suitable for liquid lines with mineral oil-based hydraulic fluids to DIN 51524 T1+T2. Also available for flame-resistant hydraulic fluids to VDMA 24317, for pneumatic and water hydraulics in appropriate materials on request.

Norm: ISO 5675

Temperature range:
 -30 °C +125 °C

Note: rated flow / pressure drop values on request
 Other sizes and connection types available on request.
 Specific instructions for installation, use and maintenance are separately provided.



STANDARD ISO 5675 - POPPET SRK-1H PE PLUS

Female coupling - Male thread

Item Code	ID (Dash)	ID (mm)	ID (in)	WP Conn. (Mpa)	BP Disconn. (Mpa)	Thread 1	F1	OD1	D1 (mm)	t1 (mm)	CH (mm)	L1 (mm)	L (mm)
1257570	8	13,0	1/2"	25,0	100,0	BSPP	1/2-14	38	38,0		32,0	113,5	149,2
1249340	8	13,0	1/2"	25,0	100,0	D24L	M22X1.5	38	38,0	15,0	32,0	113,5	145,7

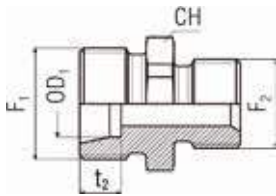
Rated flow / pressure drop values on request. Other sizes and connection types available on request.

// ACCESSORIES FOR SVK-1H, RV & LBS

THREADED ADAPTERS

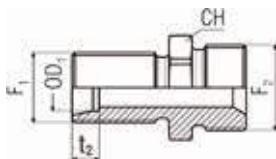


// Threaded adapters for types SVK-1H, RV & LBS



Item Code	ID (Dash)	ID (mm)	ID (in)	OD1	Thread 1	F1	Thread 2	F2	t2 (mm)	CH (mm)
1228863	5	8,0	5/16"	10	D24L	M16X1.5	MET	M16x1,5	7,0	19,0
1228860	5	8,0	5/16"	6	D24L	M12X1.5	MET	M16x1,5	7,0	19,0
1228862	5	8,0	5/16"	8	D24L	M14X1.5	MET	M16x1,5	7,0	19,0
1228842	8	13,0	1/2"	10	D24L	M16X1.5	MET	M22x1,5	7,0	24,0
1228843	8	13,0	1/2"	12	D24L	M18X1.5	MET	M22x1,5	7,0	24,0
1228845	8	13,0	1/2"	15	D24L	M22X1.5	MET	M22x1,5	7,0	24,0
1228851	12	19,0	3/4"	15	D24L	M22X1.5	MET	M30x1,5	7,0	32,0
1228853	12	19,0	3/4"	18	D24L	M26X1.5	MET	M30x1,5	7,5	32,0
1228854	12	19,0	3/4"	22	D24L	M30X2	MET	M30x1,5	7,5	32,0

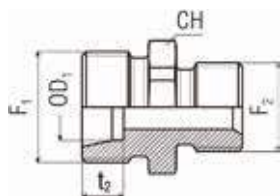
Thread Standard: metric connection according to DIN EN ISO 8434-1



Item Code	ID (Dash)	ID (mm)	ID (in)	OD1	Thread 1	F1	Thread 2	F2	t2 (mm)	CH (mm)
1228861	8	13,0	1/2"	12	D24L	M18X1.5	MET	M22x1,5	7,0	24,0

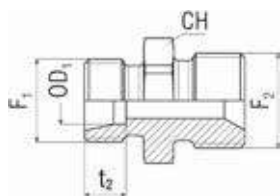
Thread Standard: metric connection according to DIN EN ISO 8434-1

Design and dimensions shown may be changed without prior notice



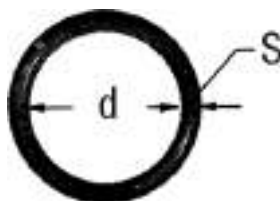
Item Code	ID (Dash)	ID (mm)	ID (in)	OD1	Thread 1	F1	Thread 2	F2	t2 (mm)	CH (mm)
1228865	5	8,0	5/16"	10	D24S	M18X1.5	MET	M16x1,5	7,5	19,0
1228866	5	8,0	5/16"	12	D24S	M20X1.5	MET	M16x1,5	7,5	22,0
1228864	5	8,0	5/16"	8	D24S	M16X1.5	MET	M16x1,5	7,0	19,0
1228844	8	13,0	1/2"	12	D24S	M20X1.5	MET	M22x1,5	7,5	24,0
1228846	8	13,0	1/2"	14	D24S	M22X1.5	MET	M22x1,5	8,0	24,0
1228847	8	13,0	1/2"	16	D24S	M24X1.5	MET	M22x1,5	8,5	24,0
1228852	12	19,0	3/4"	16	D24S	M24X1.5	MET	M30x1,5	8,5	32,0
1228855	12	19,0	3/4"	20	D24S	M30X2	MET	M30x1,5	10,5	32,0
1228856	12	19,0	3/4"	25	D24S	M36X2	MET	M30x1,5	12,0	36,0

Thread Standard: metric connection according to DIN EN ISO 8434-1



Item Code	ID (Dash)	ID (mm)	ID (in)	Thread 1	F1	Thread 2	F2	t1 (mm)	CH (mm)
1228859	5	8,0	5/16"	BSPP	3/8-19	MET	M16x1,5	20,0	12,0
1228858	5	8,0	5/16"	BSPP	1/4-19	MET	M16x1,5	19,0	12,0
1228841	8	13,0	1/2"	BSPP	1/2-14	MET	M22x1,5	23,0	14,0
1228849	12	19,0	3/4"	BSPP	1-11	MET	M30x1,5	31,0	18,0
1228850	12	19,0	3/4"	BSPP	3/4-14	MET	M30x1,5	29,0	16,0

Thread Standard: AGF connection according to DIN 3901 heavy duty range with pipe thread G (BSPP), type A to DIN 3852-2



Item Code	Material	Hardness(Sh-A)	ID (mm)	T (mm)
1904397	HNBR	80	12,0	2,0
1903607	NBR	80	12,0	2,0
1904398	HNBR	80	18,0	2,0
1903606	NBR	80	18,0	2,0
1904399	HNBR	80	26,0	2,0
1903603	NBR	80	26,0	2,0

O-Ring - NBR - 80SH

// QUICK RELEASE ADAPTER

TOP COAT



DN 13



WP 350 bar

// To easily adapt flat face to ISO A couplings

General features: ARGUS Quick Release Adapters provide an easy and reliable connection between female poppet ISO 7241 A and male flat face ISO 16028 couplings, or between female flat face ISO 16028 and male poppet ISO 7241 A couplings. This allows the user to adapt an already existing quick release part to a new type of connection.

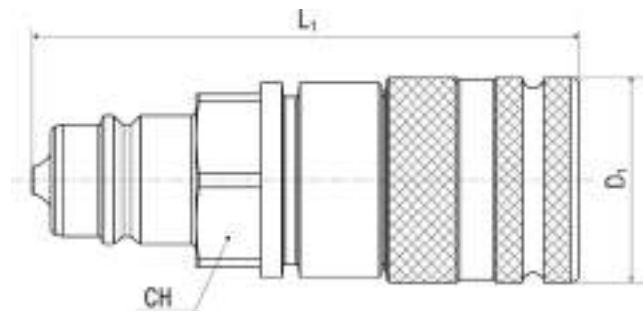
Materials: housing and valves galvanised steel with hardened parts subject to wear. Seals HNBR (other materials on request) - backup rings PTFE - Thermoplastic dust cap and dust plug. Top Coat Cr-III zinc plating with additional trivalent passivation for outstanding surface protection.

Application: suitable for liquid lines with mineral oil-based hydraulic fluids to DIN 51524 T1+T2. Also available for flame-resistant hydraulic fluids to VDMA 24317, for pneumatic and water hydraulics in appropriate materials on request.

Temperature range:

-30 °C +125 °C

Note: other sizes and connection types available on request. Specific instructions for installation, use and maintenance are separately provided.

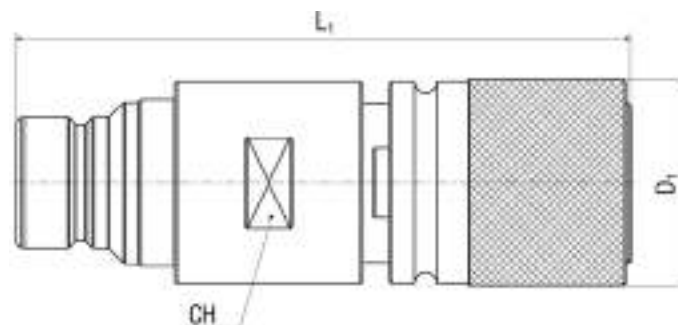


QUICK RELEASE ADAPTER - FLAT FACE - ISO A 1/2"

Female flat face ISO 16028 - Male poppet ISO 7241 A

Item Code	ID (Dash)	ID (mm)	ID (in)	WP Conn. (Mpa)	BP Conn. (Mpa)	D1 (mm)	CH (mm)	L1 (mm)
1230322	8	13,0	1/2"	35,0	140,0	38,0	32,0	103,5

Other sizes and connection types available on request. Specific instructions for installation, use and maintenance are separately provided.



QUICK RELEASE ADAPTER - FLAT FACE - ISO A 1/2"

Male flat face ISO 16028 - Female poppet ISO 7241 A

Item Code	ID (Dash)	ID (mm)	ID (in)	WP Conn. (Mpa)	BP Conn. (Mpa)	D1 (mm)	CH (mm)	L1 (mm)
1230323	8	13,0	1/2"	35,0	140,0	38,6	36,0	121,1

Other sizes and connection types available on request. Specific instructions for installation, use and maintenance are separately provided.

// QUICK RELEASE ADAPTER

CONNECTION UNDER PRESSURE

TOP COAT



PATENT PENDING



DN 13



WP 350 bar

// To easily adapt flat face to ISO A couplings

// Male flat face part connectable under pressure

// To make a standard ISO A coupling a flat face connectable under pressure

General features: Connectable under pressure ARGUS Quick Release Adapters provide an easy and reliable connection between female poppet ISO 7241 A and male flat face ISO 16028 couplings, or between female flat face ISO 16028 and male poppet ISO 7241 A couplings. This allows the user to adapt an already existing quick release part to a new type of connection.

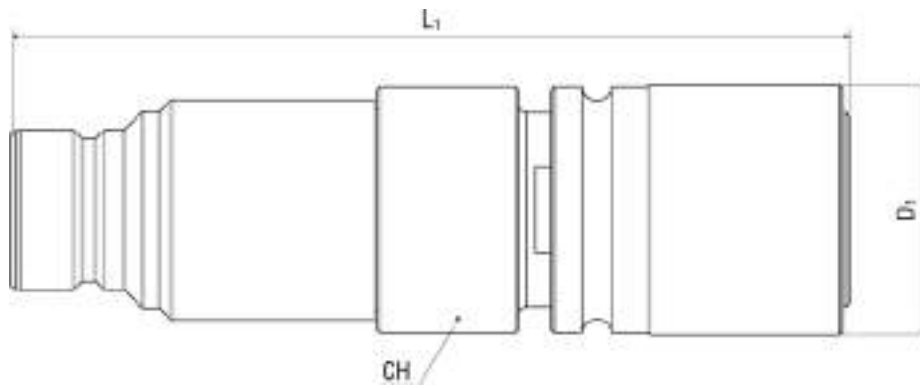
Materials: housing and valves galvanised steel with hardened parts subject to wear. Seals HNBR (other materials on request) - backup rings PTFE - Thermoplastic dust cap and dust plug. Top Coat Cr-III zinc plating with additional trivalent passivation for outstanding surface protection.

Application: suitable for liquid lines with mineral oil-based hydraulic fluids to DIN 51524 T1+T2. Also available for flame-resistant hydraulic fluids to VDMA 24317, for pneumatic and water hydraulics in appropriate materials on request.

Temperature range:

-30 °C +125 °C

Note: other sizes and connection types available on request. Specific instructions for installation, use and maintenance are separately provided.



QUICK RELEASE ADAPTER - FLAT FACE - ISO A 1/2" CONNECTABLE UNDER PRESSURE

Male flat face ISO 16028 - Female poppet ISO 7241 A

Item Code	ID (Dash)	ID (mm)	ID (in)	WP Conn. (Mpa)	BP Conn. (Mpa)	D1 (mm)	CH (mm)	L1 (mm)
1232286	8	13,0	1/2"	35,0	140,0	38,6	34,0	146,8

Other sizes and connection types available on request. Specific instructions for installation, use and maintenance are separately provided.

// FPK & FPK P

FLAT FACE STANDARD ISO 16028

TOP COAT



DN 6 to 25



WP 350 bar

- // Flow performance optimized by CFD
- // Low leak-oil rates, eco-friendly
- // Robust, compact and lightweight
- // Extended temperature range
- // FPK P version connectable under pressure

General features: ARGUS FPK and FPK P flat face quick release couplings are used for quick coupling and uncoupling of hydraulic lines. During the coupling action in zero or low-pressure ranges, valves that release or block the flow are automatically activated. The FPK and FPK P flat face quick release coupling, formed by a coupling plug and a coupling socket, is coupled by pushing on a sleeve. This guarantees a flush connection between the two coupling halves. The sleeve is designed to be moved in the relevant direction for disconnecting or connecting the coupling halves. A safety system against accidental uncoupling is present on the female part.

Materials: galvanised steel with hardened parts subject to wear. HNBR seals (other materials on request) - Backup rings PTFE - Thermoplastic dust cap and dust plug. Top Coat Cr-III zinc plating with additional trivalent passivation for outstanding surface protection.

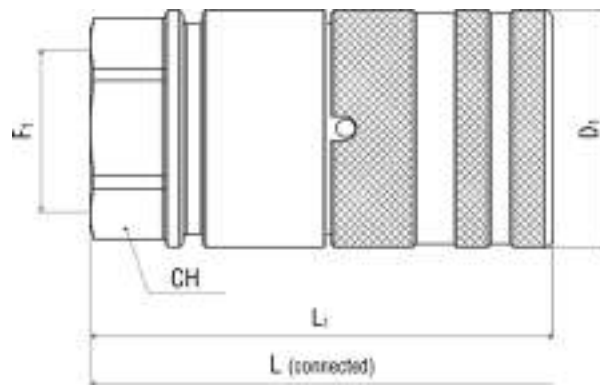
Application: suitable for liquid lines with mineral oil-based hydraulic fluids to DIN 51524 T1+T2. Also available for flame-resistant hydraulic fluids to VDMA 24317, for pneumatic and water hydraulics in appropriate materials on request.

Norm: ISO 16028

Temperature range:

-30 °C +125 °C

Note: other sizes and connection types available on request. Specific instructions for installation, use and maintenance are separately provided.

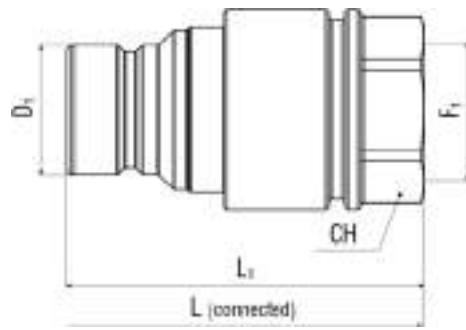


STANDARD ISO 16028 - FLAT FACE FPK

Female coupling - Female thread

Item Code	ID (Dash)	ID (mm)	ID (in)	WP Conn. (Mpa)	BP Disconn. (Mpa)	Thread 1	F1	D1 (mm)	CH (mm)	L1 (mm)	L (mm)
1229101	4	6,0	1/4"	35,0	140,0	BSPP	1/4-19	26,0	22,0	57,8	97,0
1224380	6	10,0	3/8"	35,0	140,0	BSPP	1/2-14	32,0	27,0	69,3	117,0
1229102	6	10,0	3/8"	35,0	140,0	BSPP	3/8-19	32,0	27,0	69,3	117,0
1229103	8	13,0	1/2"	35,0	140,0	BSPP	1/2-14	38,0	32,0	74,5	125,0
1224381	8	13,0	1/2"	35,0	140,0	BSPP	3/4-14	38,0	32,0	74,5	125,0
1232287	10	16,0	5/8"	35,0	140,0	BSPP	3/4-14	40,0	34,0	81,3	134,0
1224382	12	19,0	3/4"	35,0	140,0	BSPP	1-11	48,0	42,0	93,0	156,0
1229105	12	19,0	3/4"	35,0	140,0	BSPP	3/4-14	48,0	42,0	93,0	156,0
1231464	16	25,0	1"	35,0	140,0	BSPP	1-11	55,0	50,0	101,0	177,0
1229106	16	25,0	1"	35,0	140,0	BSPP	1 1/4-11	55,0	50,0	101,0	177,0
1231469	6	10,0	3/8"	35,0	140,0	MET	M22X1.5	32,0	27,0	69,3	117,0
1229213	4	6,0	1/4"	35,0	140,0	NPTF	1/4-18	26,0	22,0	57,8	97,0
1229215	6	10,0	3/8"	35,0	140,0	NPTF	1/2-14	32,0	27,0	69,3	117,0
1229214	6	10,0	3/8"	35,0	140,0	NPTF	3/8-18	32,0	27,0	69,3	117,0
1229217	8	13,0	1/2"	35,0	140,0	NPTF	3/4-14	38,0	32,0	74,5	125,0
1229216	8	13,0	1/2"	35,0	140,0	NPTF	1/2-14	38,0	32,0	74,5	125,0
1232382	10	16,0	5/8"	35,0	140,0	NPTF	3/4-14	40,0	34,0	81,3	134,0
1229219	12	19,0	3/4"	35,0	140,0	NPTF	3/4-14	48,0	42,0	93,0	156,0
1232460	12	19,0	3/4"	35,0	140,0	NPTF	1-11 1/2	48,0	42,0	93,0	156,0
1231467	16	25,0	1"	35,0	140,0	NPTF	1-11 1/2	55,0	50,0	101,0	177,0
1233075	16	25,0	1"	35,0	140,0	NPTF	1 1/4-11 1/2	55,0	50,0	101,0	177,0
1233978	4	6,0	1/4"	35,0	140,0	SAE-OB	7/16-20	26,0	22,0	57,8	97,0
1229236	6	10,0	3/8"	35,0	140,0	SAE-OB	9/16-18	32,0	27,0	71,3	119,0
1229238	8	13,0	1/2"	35,0	140,0	SAE-OB	3/4-16	38,0	32,0	74,5	125,0
1232384	10	16,0	5/8"	35,0	140,0	SAE-OB	1 1/16-12	40,0	34,0	90,3	153,0
1229241	12	19,0	3/4"	35,0	140,0	SAE-OB	1 1/16-12	48,0	42,0	107,3	185,3
1229243	16	25,0	1"	35,0	140,0	SAE-OB	1 5/16-12	55,0	50,0	107,3	185,3

Other sizes and connection types available on request. Specific instructions for installation, use and maintenance are separately provided.

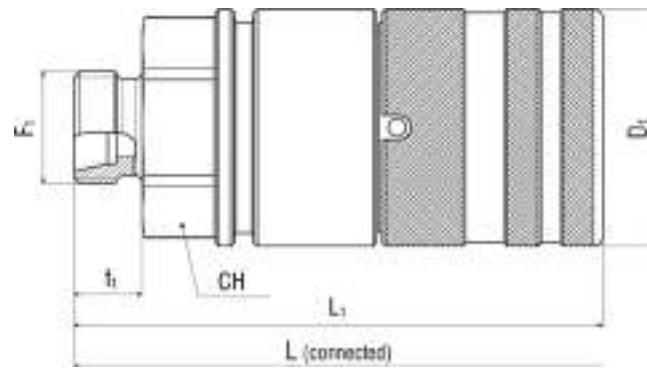


STANDARD ISO 16028 - FLAT FACE FPK

Male coupling - Female thread

Item Code	ID (Dash)	ID (mm)	ID (in)	WP Conn. (Mpa)	BP Disconn. (Mpa)	Thread 1	F1	D1 (mm)	CH (mm)	L1 (mm)	L (mm)
1229109	4	6,0	1/4"	35,0	140,0	BSPP	1/4-19	16,2	20,0	50,5	97,0
1229110	6	10,0	3/8"	35,0	140,0	BSPP	3/8-19	19,7	27,0	64,0	117,0
1229111	6	10,0	3/8"	35,0	140,0	BSPP	1/2-14	19,7	27,0	64,0	117,0
1229112	8	13,0	1/2"	35,0	140,0	BSPP	1/2-14	24,6	32,0	72,0	129,0
1224377	8	13,0	1/2"	35,0	140,0	BSPP	3/4-14	24,6	32,0	68,0	125,0
1232288	10	16,0	5/8"	35,0	140,0	BSPP	3/4-14	27,0	34,0	70,0	134,0
1229113	12	19,0	3/4"	35,0	140,0	BSPP	3/4-14	29,9	42,0	85,0	156,0
1224378	12	19,0	3/4"	35,0	140,0	BSPP	1-11	29,9	42,0	85,0	156,0
1231463	16	25,0	1"	35,0	140,0	BSPP	1-11	36,0	50,0	99,0	177,0
1229114	16	25,0	1"	35,0	140,0	BSPP	1 1/4-11	36,0	50,0	99,0	177,0
1231468	6	10,0	3/8"	35,0	140,0	MET	M22X1.5	19,7	27,0	64,0	117,0
1229224	4	6,0	1/4"	35,0	140,0	NPTF	1/4-18	16,2	20,0	50,5	97,0
1229226	6	10,0	3/8"	35,0	140,0	NPTF	1/2-14	19,7	27,0	64,0	117,0
1229225	6	10,0	3/8"	35,0	140,0	NPTF	3/8-18	19,7	27,0	64,0	117,0
1229228	8	13,0	1/2"	35,0	140,0	NPTF	3/4-14	24,6	32,0	68,0	125,0
1229227	8	13,0	1/2"	35,0	140,0	NPTF	1/2-14	24,6	32,0	68,0	125,0
1232383	10	16,0	5/8"	35,0	140,0	NPTF	3/4-14	27,0	34,0	70,0	134,0
1232461	12	19,0	3/4"	35,0	140,0	NPTF	1-11 1/2	29,9	42,0	85,0	156,0
1229230	12	19,0	3/4"	35,0	140,0	NPTF	3/4-14	29,9	42,0	85,0	156,0
1233076	16	25,0	1"	35,0	140,0	NPTF	1 1/4-11 1/2	36,0	50,0	99,0	177,0
1231466	16	25,0	1"	35,0	140,0	NPTF	1-11 1/2	36,0	50,0	99,0	177,0
1233980	4	6,0	1/4"	35,0	140,0	SAE-OB	7/16-20	16,2	20,0	50,5	97,0
1229247	6	10,0	3/8"	35,0	140,0	SAE-OB	9/16-18	19,7	27,0	64,0	119,0
1229249	8	13,0	1/2"	35,0	140,0	SAE-OB	3/4-16	24,6	32,0	72,0	125,0
1232385	10	16,0	5/8"	35,0	140,0	SAE-OB	1 1/16-12	27,0	34,0	80,0	153,0
1229252	12	19,0	3/4"	35,0	140,0	SAE-OB	1 1/16-12	29,9	42,0	87,0	164,5
1229254	16	25,0	1"	35,0	140,0	SAE-OB	1 5/16-12	36,0	50,0	99,0	185,3

Other sizes and connection types available on request. Specific instructions for installation, use and maintenance are separately provided.

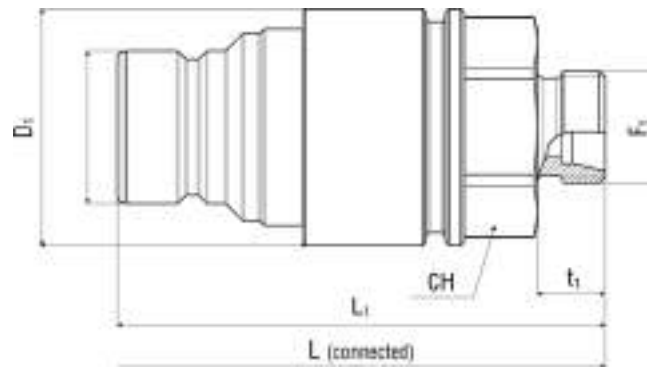


STANDARD ISO 16028 - FLAT FACE FPK

Female coupling - Metric 24° light/heavy series

Item Code	ID (Dash)	ID (mm)	ID (in)	WP Conn. (Mpa)	BP Disconn. (Mpa)	Thread 1	F1	OD1	D1 (mm)	t1 (mm)	CH (mm)	L1 (mm)	L (mm)
1234726	4	6,0	1/4"	35,0	140,0	D24L	M14X1.5	8	26,0	10,0	22,0	67,7	117,2
1229118	6	10,0	3/8"	35,0	140,0	D24L	M16X1.5	10	32,0	11,0	27,0	82,3	141,4
1223449	6	10,0	3/8"	35,0	140,0	D24L	M18X1.5	12	32,0	11,0	27,0	82,3	141,4
1234030	6	10,0	3/8"	35,0	140,0	D24L	M22X1.5	15	32,0	12,0	27,0	83,3	143,4
1223438	8	13,0	1/2"	35,0	140,0	D24L	M18X1.5	12	38,0	11,0	32,0	85,6	151,2
1223440	8	13,0	1/2"	35,0	140,0	D24L	M22X1.5	15	38,0	12,0	32,0	86,6	153,2
1229120	12	19,0	3/4"	35,0	140,0	D24L	M26X1.5	18	48,0	12,0	42,0	105,5	180,5
1229121	12	19,0	3/4"	35,0	140,0	D24L	M30X2	22	48,0	14,0	42,0	107,5	184,5
1234031	16	25,0	1"	35,0	140,0	D24L	M30X2	22	55,0	14,0	50,0	118,3	208,2
1229122	16	25,0	1"	35,0	140,0	D24L	M36X2	28	55,0	14,0	50,0	118,3	208,2
1234032	4	6,0	1/4"	35,0	140,0	D24S	M16X1.5	8	26,0	12,0	22,0	69,7	121,2
1234033	6	10,0	3/8"	35,0	140,0	D24S	M20X1.5	12	32,0	12,0	27,0	83,3	143,4
1234034	6	10,0	3/8"	35,0	140,0	D24S	M22X1.5	14	32,0	14,0	27,0	85,3	147,4
1234035	6	10,0	3/8"	35,0	140,0	D24S	M24X1.5	16	32,0	14,0	27,0	85,3	147,4
1229153	8	13,0	1/2"	35,0	140,0	D24S	M22X1.5	14	38,0	14,0	32,0	88,6	157,2
1234036	8	13,0	1/2"	35,0	140,0	D24S	M24X1.5	16	38,0	14,0	32,0	88,6	157,2
1229156	12	19,0	3/4"	35,0	140,0	D24S	M30X2	20	48,0	16,0	42,0	109,5	188,5
1234037	12	19,0	3/4"	35,0	140,0	D24S	M36X2	25	48,0	18,0	42,0	111,5	192,5
1234038	12	19,0	3/4"	35,0	140,0	D24S	M42X2	30	48,0	20,0	46,0	113,5	196,5
1229157	16	25,0	1"	35,0	140,0	D24S	M36X2	25	55,0	18,0	50,0	122,3	216,2
1234039	16	25,0	1"	35,0	140,0	D24S	M42X2	30	56,0	20,0	50,0	124,3	224,2

Other sizes and connection types available on request. Specific instructions for installation, use and maintenance are separately provided.

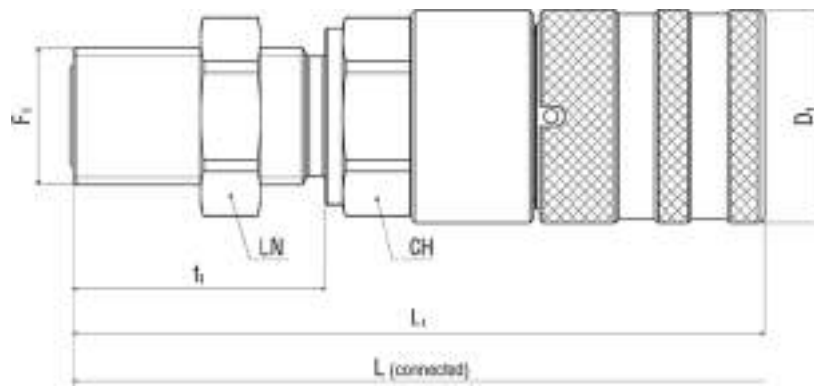


STANDARD ISO 16028 - FLAT FACE FPK

Male coupling - Metric 24° light/heavy series

Item Code	ID (Dash)	ID (mm)	ID (in)	WP Conn. (Mpa)	BP Disconn. (Mpa)	Thread 1	F1	OD1	D1 (mm)	t1 (mm)	CH (mm)	L1 (mm)	L (mm)
1234727	4	6,0	1/4"	35,0	140,0	D24L	M14X1.5	8	16,2	10,0	22,0	60,5	117,2
1234728	6	10,0	3/8"	35,0	140,0	D24L	M16X1.5	10	19,7	11,0	27,0	75,0	141,4
1223471	6	10,0	3/8"	35,0	140,0	D24L	M18X1.5	12	19,7	11,0	27,0	75,0	141,4
1234040	6	10,0	3/8"	35,0	140,0	D24L	M22X1.5	15	19,7	12,0	27,0	76,0	143,4
1223453	8	13,0	1/2"	35,0	140,0	D24L	M18X1.5	12	24,6	11,0	32,0	83,0	151,2
1222555	8	13,0	1/2"	35,0	140,0	D24L	M22X1.5	15	24,6	12,0	32,0	84,0	153,2
1229128	12	19,0	3/4"	35,0	140,0	D24L	M26X1.5	18	29,9	12,0	42,0	97,0	180,5
1229129	12	19,0	3/4"	35,0	140,0	D24L	M30X2	22	29,9	14,0	42,0	99,0	184,5
1234041	16	25,0	1"	35,0	140,0	D24L	M30X2	22	36,0	14,0	50,0	113,0	208,2
1229130	16	25,0	1"	35,0	140,0	D24L	M36X2	28	36,0	14,0	50,0	113,0	208,2
1234042	4	6,0	1/4"	35,0	140,0	D24S	M16X1.5	8	16,2	12,0	22,0	62,5	121,2
1234043	6	10,0	3/8"	35,0	140,0	D24S	M20X1.5	12	19,7	12,0	27,0	76,0	143,4
1234044	6	10,0	3/8"	35,0	140,0	D24S	M22X1.5	14	19,7	14,0	27,0	78,0	147,4
1234045	6	10,0	3/8"	35,0	140,0	D24S	M24X1.5	16	19,7	14,0	27,0	78,0	147,4
1223461	8	13,0	1/2"	35,0	140,0	D24S	M22X1.5	14	24,6	14,0	32,0	86,0	157,2
1234046	8	13,0	1/2"	35,0	140,0	D24S	M24X1.5	16	24,6	14,0	32,0	82,0	157,2
1229166	12	19,0	3/4"	35,0	140,0	D24S	M30X2	20	29,9	16,0	42,0	101,0	188,5
1234047	12	19,0	3/4"	35,0	140,0	D24S	M36X2	25	29,9	18,0	42,0	103,0	192,5
1234048	12	19,0	3/4"	35,0	140,0	D24S	M42X2	30	29,9	20,0	46,0	105,0	196,5
1229167	16	25,0	1"	35,0	140,0	D24S	M36X2	25	36,0	18,0	50,0	117,0	216,2
1234049	16	25,0	1"	35,0	140,0	D24S	M42X2	30	36,0	20,0	50,0	119,0	224,2

Other sizes and connection types available on request. Specific instructions for installation, use and maintenance are separately provided.

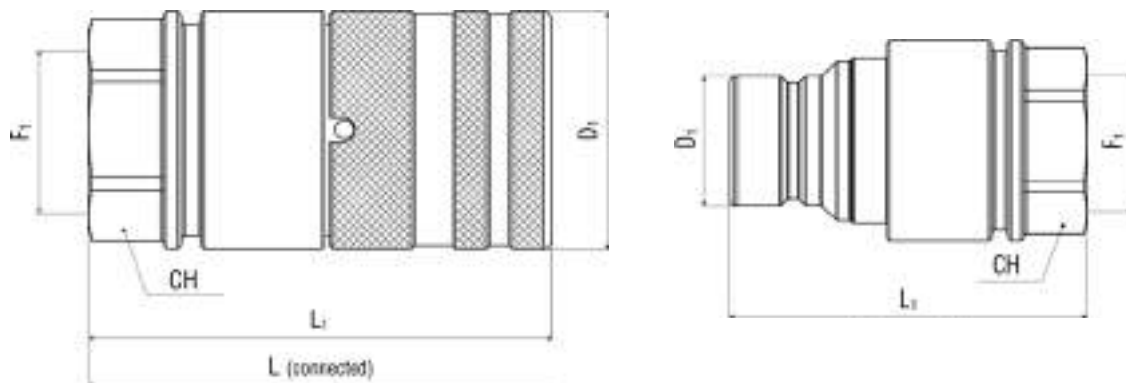


STANDARD ISO 16028 - FLAT FACE FPK

Female coupling - ORFS bulkhead thread

Item Code	ID (Dash)	ID (mm)	ID (in)	WP Conn. (Mpa)	BP Disconn. (Mpa)	Thread 1	F1	D1 (mm)	t1 (mm)	CH (mm)	LN (mm)	L1 (mm)	L (mm)
1234706	6	10,0	3/8"	35,0	140,0	ORFS	13/16-16	32,0	38,5	27,0	27,0	105,3	187,5
1239546	8	13,0	1/2"	35,0	140,0	ORFS	1-14	38,0	40,5	34,0	34,0	106,6	193,7

Other sizes and connection types available on request. Specific instructions for installation, use and maintenance are separately provided.



STANDARD ISO 16028 - FLAT FACE FPK P

Female coupling - Female thread

Item Code	ID (Dash)	ID (mm)	ID (in)	WP Conn. (Mpa)	BP Disconn. (Mpa)	Thread 1	F1	D1 (mm)	CH (mm)	L1 (mm)	L (mm)
1259078	6	10,0	3/8"	35	140,0	BSPP	3/8"-19	32	27,0	71,3	143,0
1234705	8	13,0	1/2"	35	140,0	BSPP	1/2"-14	38	32,0	74,5	156,0
1259079	12	19,0	3/4"	35	140,0	BSPP	3/4"-14	48	42,0	94,5	196,0
1259212	6	10,0	3/8"	35	140,0	NPTF	3/8"-18	32	27,0	71,3	143,0
1259213	8	13,0	1/2"	35	140,0	NPTF	1/2"-14	38	32,0	74,5	156,0
1259214	12	19,0	3/4"	35	140,0	NPTF	3/4"-14	48	42,0	93,5	196,0

Rated flow / pressure drop values on request. Other sizes and connection types available on request.

STANDARD ISO 16028 - FLAT FACE FPK P

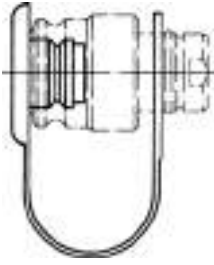
Male coupling - Female thread

Item Code	ID (Dash)	ID (mm)	ID (in)	WP Conn. (Mpa)	BP Disconn. (Mpa)	Thread 1	F1	D1 (mm)	CH (mm)	L1 (mm)	L (mm)
1232283	6	10,0	3/8"	35	140,0	BSPP	3/8"-19	19,7	27,0	87,5	143,0
1231474	8	13,0	1/2"	35	140,0	BSPP	1/2"-14	24,6	32,0	98,5	156,0
1232284	12	19,0	3/4"	35	140,0	BSPP	3/4"-14	29,9	42,0	124,0	196,0
1234990	6	10,0	3/8"	35	140,0	NPTF	3/8"-18	19,7	27,0	87,5	143,0
1234991	8	13,0	1/2"	35	140,0	NPTF	1/2"-14	24,6	32,0	98,5	156,0
1234992	12	19,0	3/4"	35	140,0	NPTF	3/4"-14	29,9	42,0	124,0	196,0

Rated flow / pressure drop values on request. Other sizes and connection types available on request.

STANDARD ISO 16028 - FLAT FACE FPK & FPK P

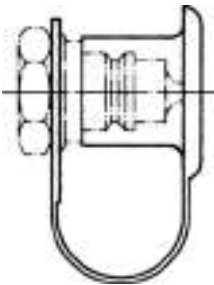
Dust cap for female coupling



Item Code	Colour	Material	ID (Dash)	ID (mm)	ID (in)
1224407	RED	PE	4	6,0	1/4"
1224408	RED	PE	6	10,0	3/8"
1224409	RED	PE	8	13,0	1/2"
1223544	RED	PE	10	16,0	5/8"
1223537	RED	PE	12	19,0	3/4"
1223539	RED	PE	16	25,0	1"

STANDARD ISO 16028 - FLAT FACE FPK & FPK P

Dust cap for male coupling



Item Code	Colour	Material	ID (Dash)	ID (mm)	ID (in)
1223532	RED	PE	4	6,0	1/4"
1223536	RED	PE	6	10,0	3/8"
1223531	RED	PE	8	13,0	1/2"
1223535	RED	PE	10	16,0	5/8"
1223528	RED	PE	12	19,0	3/4"
1223530	RED	PE	16	25,0	1"

// BK

BRAKE VALVE FLAT FACE STANDARD ISO 5676

TOP COAT



DN 10



WP 250 bar

- // Coupling for brake system
- // Low leak-oil rates, eco-friendly
- // Low pressure drop
- // Compatibility with other couplings in-use

General features: brake line couplings ARGUS BK are specifically designed for the use in hydraulic brake circuits of tractors. During the coupling actions, valves that release or block the flow, are automatically activated. The BK quick release coupling, formed from a coupling plug and a coupling socket, is coupled by pushing on a sleeve. This guarantees a flush connection between the two coupling halves. The sleeve is designed to be moved in the relevant direction for disconnecting or connecting the coupling halves.

Materials: galvanised steel with hardened parts subject to wear - HNBR O-rings (other materials optional) - Thermoplastic dust cap and dust plug. Top Coat Cr-III zinc plating with additional trivalent passivation for outstanding surface protection.

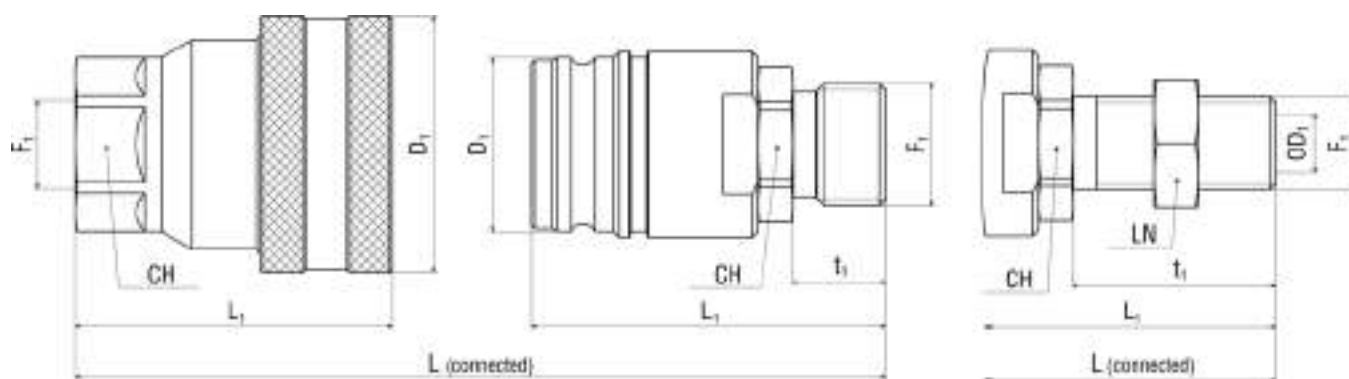
Application: suitable for liquid lines with mineral oil-based hydraulic fluids to DIN 51524 T1+T2. Also available for flame-resistant hydraulic fluids to VDMA 24317, for pneumatic and water hydraulics in appropriate materials on request.

Norm: ISO 5676

Temperature range:

-30 °C +125 °C

Note: rated flow / pressure drop values on request. Other sizes and connection types available on request. Specific instructions for installation, use and maintenance are separately provided.



STANDARD ISO 5676 - BRAKE VALVE BK

Female coupling - Female thread

Item Code	ID (Dash)	ID (mm)	ID (in)	WP Conn. (Mpa)	BP Disconn. (Mpa)	Thread 1	F1	D1 (mm)	CH (mm)	L1 (mm)
1219386	6	10,0	3/8"	25,0	100,0	BSPP	3/8-19	44,0	27,0	54,7
1219432	6	10,0	3/8"	25,0	100,0	BSPP	1/2-14	44,0	27,0	58,7
1233607	6	10,0	3/8"	25,0	100,0	MET	M18X1.5	44,0	27,0	50,7

Rated flow / pressure drop values on request. Other sizes and connection types available on request.

STANDARD ISO 5676 - BRAKE COUPLING BK

Male coupling - Male thread

Item Code	ID (Dash)	ID (mm)	ID (in)	WP Conn. (Mpa)	BP Disconn. (Mpa)	Thread 1	F1	D1 (mm)	t1 (mm)	CH (mm)	L1 (mm)
1219429	6	10,0	3/8"	25,0	100,0	BSPP	1/2-14	30,0	16,0	24,0	61,0

Rated flow / pressure drop values on request. Other sizes and connection types available on request.

STANDARD ISO 5676 - BRAKE COUPLING BK

Male coupling - Metric 24° light/heavy series bulkhead

Item Code	ID (Dash)	ID (mm)	ID (in)	WP Conn. (Mpa)	BP Disconn. (Mpa)	Thread 1	F1	OD1	D1 (mm)	t1 (mm)	CH (mm)	LN (mm)	L1 (mm)
1219431	6	10,0	3/8"	25,0	100,0	D24L	M16X1.5	10	30,0	35,0	24,0	22,0	80,0
1233608	6	10,0	3/8"	25,0	100,0	D24L	M18X1.5	12	30,0	36,0	24,0	24,0	81,0
1219430	6	10,0	3/8"	25,0	100,0	D24L	M22X1.5	15	30,0	38,0	24,0	27,0	83,0
1233609	6	10,0	3/8"	25,0	100,0	D24S	M20X1.5	12	30,0	38,0	24,0	27,0	83,0

Rated flow / pressure drop values on request. Other sizes and connection types available on request.

// DK

DIAGNOSTIC FLAT FACE STANDARD ISO 15171-1

TOP COAT



DN 6



WP 470 bar

// Diagnostic coupling for pressure detection

// Low leak-oil rates, eco-friendly

// Low pressure drop

// Compatibility with other couplings in-use

General features: diagnostic couplings ARGUS DK are specifically designed for pressure detection in oleo-hydraulic circuits, allowing a quick connection/disconnection of the measuring equipment. During the coupling actions, valves that release or block the flow are automatically activated. The DK quick release coupling, formed from a coupling plug and a coupling socket, is coupled by pushing on a sleeve. This guarantees a flush connection between the two coupling halves. The sleeve is designed to be moved in the relevant direction for disconnecting or connecting the coupling halves.

Materials: galvanised steel with hardened parts subject to wear - HNBR O-rings (other materials optional) - Thermoplastic dust cap and dust plug. Top Coat Cr-III zinc plating with additional trivalent passivation for outstanding surface protection.

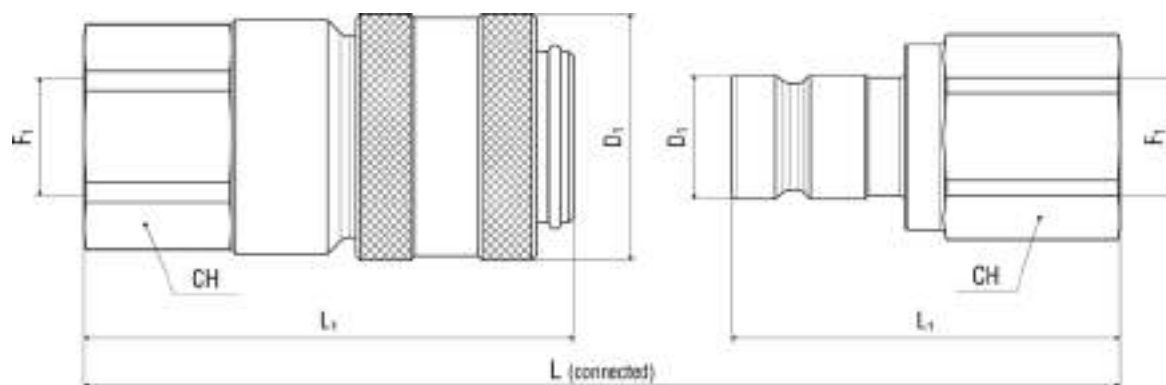
Application: suitable for liquid lines with mineral oil-based hydraulic fluids to DIN 51524 T1+T2. Also available for flame-resistant hydraulic fluids to VDMA 24317, for pneumatic and water hydraulics in appropriate materials on request.

Norm: ISO 15171-1

Temperature range:

-30 °C +125 °C

Note: rated flow / pressure drop values on request. Other sizes and connection types available on request. Specific instructions for installation, use and maintenance are separately provided.



STANDARD ISO 15171-1 - DIAGNOSTIC DK

Female coupling - Female thread

Item Code	ID (Dash)	ID (mm)	ID (in)	WP Conn. (Mpa)	BP Disconn. (Mpa)	Thread 1	F1	D1 (mm)	CH (mm)	L1 (mm)
1233585	4	6,0	1/4"	47,0	188,0	MET	M14X1.5	25,0	22,0	52,0
1233582	4	6,0	1/4"	47,0	188,0	NPTF	1/8-27	25,0	21,0	50,0
1233583	4	6,0	1/4"	47,0	188,0	NPTF	1/4-18	25,0	21,0	50,0
1233586	4	6,0	1/4"	47,0	188,0	SAE-OB	9/16-18	25,0	21,0	50,5

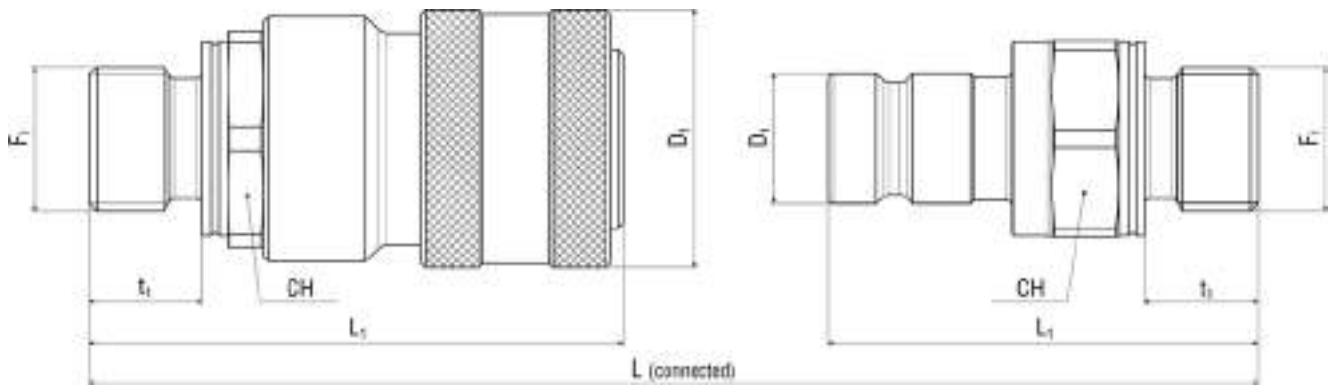
Rated flow / pressure drop values on request. Other sizes and connection types available on request.

STANDARD ISO 15171-1 - DIAGNOSTIC DK

Male coupling - Female thread

Item Code	ID (Dash)	ID (mm)	ID (in)	WP Conn. (Mpa)	BP Disconn. (Mpa)	Thread 1	F1	D1 (mm)	CH (mm)	L1 (mm)
1233587	4	6,0	1/4"	47,0	188,0	NPTF	1/8-27	12,6	19,0	39,8
1233588	4	6,0	1/4"	47,0	188,0	NPTF	1/4-18	12,6	19,0	45,3

Rated flow / pressure drop values on request. Other sizes and connection types available on request.



STANDARD ISO 15171-1 - DIAGNOSTIC DK

Female coupling - Male thread

Item Code	ID (Dash)	ID (mm)	ID (in)	WP Conn. (Mpa)	BP Disconn. (Mpa)	Thread 1	F1	D1 (mm)	t1 (mm)	CH (mm)	L1 (mm)
1233584	4	6,0	1/4"	47,0	188,0	NPTF	1/4-18	25,0	14,5	21,0	53,0

Rated flow / pressure drop values on request. Other sizes and connection types available on request.

STANDARD ISO 15171-1 - DIAGNOSTIC DK

Male coupling - Male thread

Item Code	ID (Dash)	ID (mm)	ID (in)	WP Conn. (Mpa)	BP Disconn. (Mpa)	Thread 1	F1	D1 (mm)	t1 (mm)	CH (mm)	L1 (mm)
1233590	4	6,0	1/4"	47,0	188,0	MET	M14X1.5	12,6	11,0	19,0	41,8
1233589	4	6,0	1/4"	47,0	188,0	NPTF	1/4-18	12,6	14,5	19,0	42,8
1233591	4	6,0	1/4"	47,0	188,0	SAE-OB	9/16-18	12,6	12,0	19,0	40,3

Rated flow / pressure drop values on request. Other sizes and connection types available on request.

// HDK & HDK HA

SCREW TYPE POPPET STANDARD ISO 14541

TOP COAT



DN 8 to 32



to max WP 450 bar

- // For high pressure load
- // Robust construction
- // Excellent flow rate
- // Can be coupled at up to 50 bar
- // HDK HA for hammer application

General features: ARGUS HDK high pressure couplings can be used for connecting and disconnecting hydraulic lines. Their robust construction and tested components make them ideally suited for high and intermittent pressure loads. During the coupling action, valves that release and/or block the flow are automatically activated. The HDK quick release coupling, formed by coupling plug and coupling socket, is coupled by a screwing action with the hand nut of the plug component. Can be coupled to a max. of 50 bar residual pressure. The HDK-HA quick release coupling for hammer application has a robust design for particular heavy duty such as hammering. Both HDK and HDK-HA can be coupled at a maximum residual pressure of 50 bar.

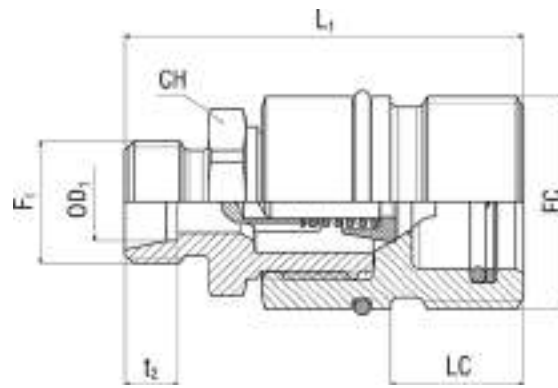
Materials: galvanised steel - Brass valve stem guide - TPE poppet valve seal (PTFE optional) - HNBR O-rings (other materials optional) - Polyethylene dust cap and plug - Stainless steel compression spring. Top Coat Cr-III zinc plating with additional trivalent passivation for outstanding surface protection.

Application: suitable for liquid lines with mineral oil-based hydraulic fluids to DIN 51524 and DIN 51525. Also available for flame-resistant hydraulic fluids to VDMA 24317, for pneumatics and water hydraulics in appropriate materials on request.

Norm: ISO 14541

Temperature range:
-30 °C +125 °C

Note: other sizes and connection types available on request. Specific instructions for installation, use and maintenance are separately provided.

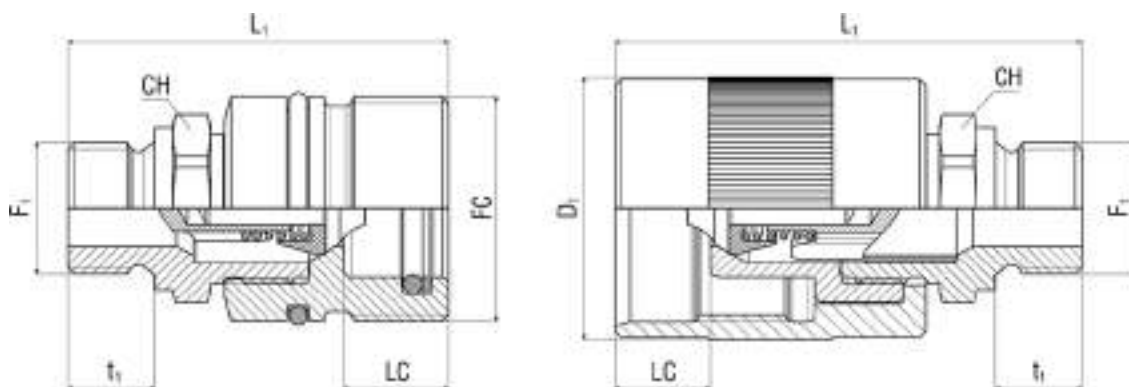


SCREW COUPLING - POPPET HDK

Female coupling (fixed part) - Metric 24° light/heavy series

Item Code	ID (Dash)	ID (mm)	ID (in)	WP Conn. (Mpa)	Thread 1	F1	OD1	FC	t2 (mm)	CH (mm)	LC (mm)	L1 (mm)
1228941	5	8,0	5/16"	45,0	D24L	M14X1.5	8	M28x2	7,0	22,0	14,5	53,0
1228942	5	8,0	5/16"	45,0	D24L	M16X1.5	10	M28x2	7,0	22,0	14,5	53,0
1228943	8	13,0	1/2"	40,0	D24L	M18X1.5	12	M36x2	7,0	24,0	17,0	56,5
1228944	8	13,0	1/2"	40,0	D24L	M22X1.5	15	M36x2	7,0	24,0	17,0	57,2
1228945	16	25,0	1"	31,5	D24L	M26X1.5	18	M48x3	7,5	41,0	26,0	80,5
1228946	16	25,0	1"	31,5	D24L	M30X2	22	M48x3	7,5	41,0	26,0	82,5
1228953	5	8,0	5/16"	45,0	D24S	M18X1.5	10	M28x2	7,5	22,0	14,5	54,0
1228954	5	8,0	5/16"	45,0	D24S	M20X1.5	12	M28x2	7,5	22,0	14,5	54,0
1228955	8	13,0	1/2"	40,0	D24S	M22X1.5	14	M36x2	8,0	24,0	17,0	59,5
1228956	8	13,0	1/2"	40,0	D24S	M24X1.5	16	M36x2	8,5	24,0	17,0	59,5
1228957	16	25,0	1"	31,5	D24S	M30X2	20	M48x3	10,5	41,0	26,0	84,5
1219533	16	25,0	1"	31,5	D24S	M36X2	25	M48x3	12,0	41,0	26,0	86,5
1219532	20	32,0	1 1/4"	31,5	D24S	M42X2	30	M70x3	13,5	55,0	36,0	113,0
1219531	20	32,0	1 1/4"	31,5	D24S	M52X2	38	M70x3	16,0	55,0	36,0	115,0

Other sizes and connection types available on request. Specific instructions for installation, use and maintenance are separately provided.



SCREW TYPE

80

SCREW COUPLING - POPPET HDK

Female coupling (fixed part) - Male thread

Item Code	ID (Dash)	ID (mm)	ID (in)	WP Conn. (Mpa)	Thread 1	F1	FC	t1 (mm)	CH (mm)	LC (mm)	L1 (mm)
1228935	5	8,0	5/16"	45,0	BSPP	3/8-19	M28x2	12,0	22,0	14,5	54,0
1219534	8	13,0	1/2"	40,0	BSPP	1/2-14	M36x2	14,0	27,0	17,0	61,5
1228936	16	25,0	1"	31,5	BSPP	3/4-14	M48x3	16,0	41,0	26,0	87,5
1228937	16	25,0	1"	31,5	BSPP	1-11	M48x3	18,0	41,0	26,0	90,0

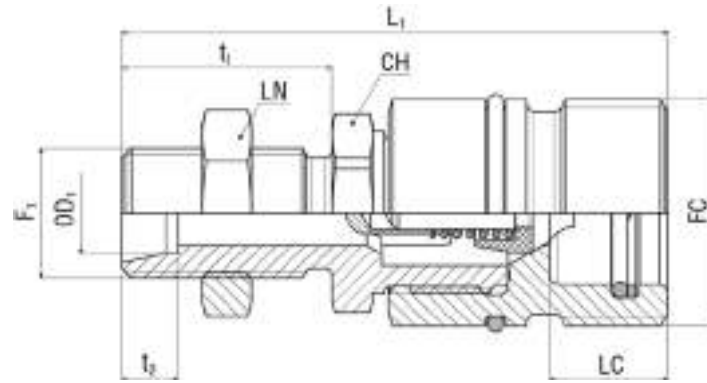
Other sizes and connection types available on request. Specific instructions for installation, use and maintenance are separately provided.

SCREW COUPLING - POPPET HDK

Male coupling (loose part) - Male thread

Item Code	ID (Dash)	ID (mm)	ID (in)	WP Conn. (Mpa)	WP Disconn. (Mpa)	Thread 1	F1	D1 (mm)	t1 (mm)	CH (mm)	LC (mm)	L1 (mm)
1228919	5	8,0	5/16"	45,0	45,0	BSPP	3/8-19	34,0	12,0	22,0	12,5	64,0
1219526	8	13,0	1/2"	40,0	40,0	BSPP	1/2-14	42,0	14,0	27,0	15,5	75,5
1228920	16	25,0	1"	31,5	31,5	BSPP	3/4-14	55,0	16,0	41,0	11,0	91,0
1228921	16	25,0	1"	31,5	31,5	BSPP	1-11	55,0	18,0	41,0	11,0	91,0

Other sizes and connection types available on request. Specific instructions for installation, use and maintenance are separately provided.

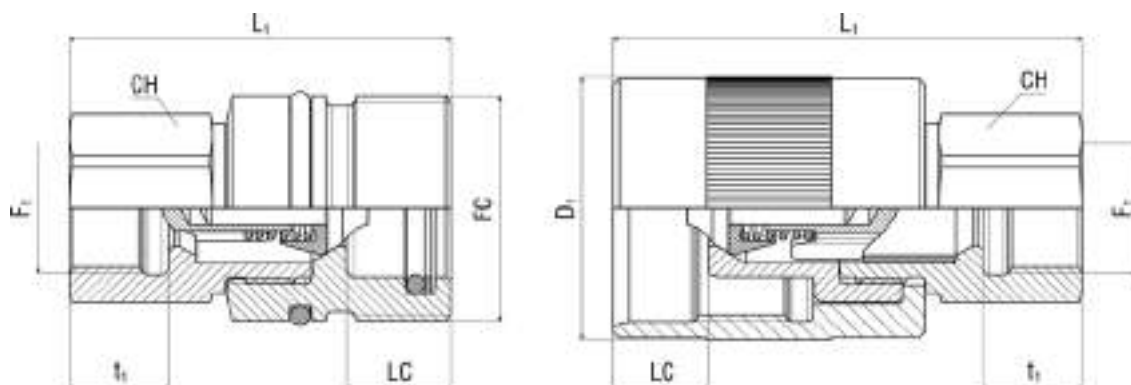


SCREW COUPLING - POPPET HDK

Female coupling (fixed part) - Metric 24° light/heavy series bulkhead

Item Code	ID (Dash)	ID (mm)	ID (in)	WP Conn. (Mpa)	Thread 1	F1	OD1	FC	t1 (mm)	t2 (mm)	CH (mm)	LN (mm)	LC (mm)	L1 (mm)
1228947	5	8,0	5/16"	45,0	D24L	M14X1.5	8	M28x2	25,0	7,0	22,0	19,0	14,5	67,0
1228948	5	8,0	5/16"	45,0	D24L	M16X1.5	10	M28x2	26,0	7,0	22,0	22,0	14,5	67,0
1228949	8	13,0	1/2"	40,0	D24L	M18X1.5	12	M36x2	25,0	7,0	24,0	24,0	17,0	70,5
1228950	8	13,0	1/2"	40,0	D24L	M22X1.5	15	M36x2	27,0	7,0	24,0	30,0	17,0	72,5
1228951	16	25,0	1"	31,5	D24L	M26X1.5	18	M48x3	34,0	7,5	41,0	30,0	26,0	102,5
1228952	16	25,0	1"	31,5	D24L	M30X2	22	M48x3	36,0	7,5	41,0	41,0	26,0	104,5
1228958	5	8,0	5/16"	45,0	D24S	M18X1.5	10	M28x2	27,0	7,5	22,0	24,0	14,5	69,0
1228959	5	8,0	5/16"	45,0	D24S	M20X1.5	12	M28x2	27,0	7,5	22,0	27,0	14,5	69,0
1228960	8	13,0	1/2"	40,0	D24S	M22X1.5	14	M36x2	27,0	8,0	24,0	30,0	17,0	73,0
1228961	8	13,0	1/2"	40,0	D24S	M24X1.5	16	M36x2	27,0	8,5	27,0	32,0	17,0	73,0
1219539	16	25,0	1"	31,5	D24S	M36X2	20	M48x3	36,0	10,5	41,0	41,0	26,0	104,5
1228962	16	25,0	1"	31,5	D24S	M36X2	25	M48x3	38,0	12,0	41,0	46,0	26,0	106,5
1228963	20	32,0	1 1/4"	31,5	D24S	M42X2	30	M70x3	40,0	13,5	55,0	50,0	36,0	131,0
1228964	20	32,0	1 1/4"	31,5	D24S	M52X2	38	M70x3	40,0	16,0	55,0	65,0	36,0	134,0

Other sizes and connection types available on request. Specific instructions for installation, use and maintenance are separately provided.



SCREW COUPLING - POPPET HDK

Female coupling (fixed part) - Female thread

Item Code	ID (Dash)	ID (mm)	ID (in)	WP Conn. (Mpa)	Thread 1	F1	FC	t1 (mm)	CH (mm)	LC (mm)	L1 (mm)
1219538	5	8,0	5/16"	45,0	BSPP	3/8-19	M28x2	14,0	22,0	14,5	55,0
1219537	8	13,0	1/2"	40,0	BSPP	1/2-14	M36x2	16,0	27,0	17,0	60,5
1219536	16	25,0	1"	31,5	BSPP	3/4-14	M48x3	18,0	41,0	26,0	89,5
1219535	16	25,0	1"	31,5	BSPP	1-11	M48x3	20,0	41,0	26,0	92,5
1230056	20	32,0	1 1/4"	31,5	BSPP	1 1/4-11	M70x3		55,0	36,0	115,0
1228938	8	13,0	1/2"	40,0	NPTF	1/2-14	M36x2	16,5	27,0	17,0	61,5
1228939	16	25,0	1"	31,5	NPTF	3/4-14	M48x3	17,0	41,0	26,0	84,5
1228940	16	25,0	1"	31,5	NPTF	1-11 1/2	M48x3	20,5	41,0	26,0	88,5
1232387	20	32,0	1 1/4"	31,5	NPTF	1 1/4-11 1/2	M70x3		55,0	36,0	115,0
1231479	16	25,0	1"	31,5	SAE-OB	1 1/16-12	M48x3	18,0	41,0	26,0	89,5

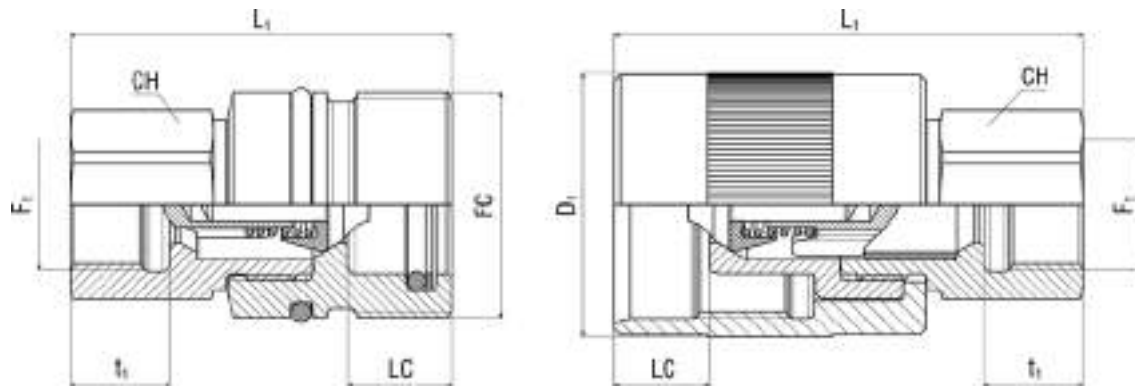
Other sizes and connection types available on request. Specific instructions for installation, use and maintenance are separately provided.

SCREW COUPLING - POPPET HDK

Male coupling (loose part) - Female thread

Item Code	ID (Dash)	ID (mm)	ID (in)	WP Conn. (Mpa)	Thread 1	F1	D1 (mm)	t1 (mm)	CH (mm)	LC (mm)	L1 (mm)
1219530	5	8,0	5/16"	45,0	BSPP	3/8-19	34,0	14,0	22,0	12,5	65,0
1219529	8	13,0	1/2"	40,0	BSPP	1/2-14	42,0	16,0	27,0	15,5	74,5
1219528	16	25,0	1"	31,5	BSPP	3/4-14	55,0	18,0	41,0	11,0	98,0
1219527	16	25,0	1"	31,5	BSPP	1-11	55,0	20,0	41,0	11,0	101,0
1230063	20	32,0	1 1/4"	31,5	BSPP	1 1/4-11	80,0		55,0	10,0	117,0
1228922	8	13,0	1/2"	40,0	NPTF	1/2-14	42,0	16,5	27,0	15,5	75,5
1228923	16	25,0	1"	31,5	NPTF	3/4-14	55,0	17,0	41,0	11,0	93,0
1228924	16	25,0	1"	31,5	NPTF	1-11 1/2	55,0	20,5	41,0	11,0	97,0
1232388	20	32,0	1 1/4"	31,5	NPTF	1 1/4-11 1/2	80,0		55,0	10,0	117,0
1231480	16	25,0	1"	31,5	SAE-OB	1 1/16-12	55,0	18,0	41,0	11,0	98,0

Other sizes and connection types available on request. Specific instructions for installation, use and maintenance are separately provided.



SCREW COUPLING - POPPET HDK HA

Female coupling (fixed part) - Female thread

Item code	ID (Dash)	ID (mm)	ID (in)	WP Conn. (Mpa)	Thread 1	F1	FC	t1 (mm)	CH (mm)	LC (mm)	L1 (mm)
1249325	8	13,0	1/2"	40,0	BSPP	1/2"-14	M36x2	16,0	27,0	16,8	61,2
1246812*	12	19,0	3/4"	45,0	BSPP	3/4"-14	M42x2	20,5	36,0	21,0	85,5
1249328	16	25,0	1"	31,5	BSPP	1"-11	M48x3	20,0	41,0	26,0	88,5
1249333	20	32,0	1-1/4"	31,5	BSPP	1 1/4"-11	M70x3	24,5	55,0	36,0	111,4

1246812: standard PTFE seal. Other sizes and connection types available on request. Specific instructions for installation, use and maintenance are separately provided.

SCREW COUPLING - POPPET HDK HA

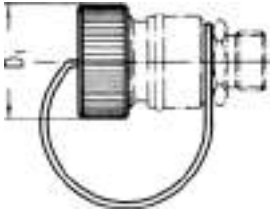
Male coupling (loose part) - Female thread

Item code	ID (Dash)	ID (mm)	ID (in)	WP Conn. (Mpa)	Thread 1	F1	FC	t1 (mm)	CH (mm)	LC (mm)	L1 (mm)
1249326	8	13,0	1/2"	40,0	BSPP	1/2"-14	42	16,0	27,0	15,3	75,1
1246811*	12	19,0	3/4"	45,0	BSPP	3/4"-14	48	20,5	36,0	11,3	78,8
1249329	16	25,0	1"	31,5	BSPP	1"-11	55	20,0	41,0	9,0	96,2
1249334	20	32,0	1-1/4"	31,5	BSPP	1-1/4"-11	80	24,5	55,0	15,7	119,4

1246811: standard PTFE seal. Other sizes and connection types available on request. Specific instructions for installation, use and maintenance are separately provided.

SCREW COUPLING - POPPET HDK & HDK HA

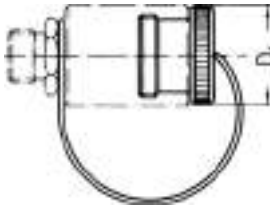
Dust cap for female coupling (fixed part)



Item Code	Material	ID (Dash)	ID (mm)	ID (in)	D1 (mm)
1228897	PE	5	8,0	5/16"	34,0
1228892	PE	8	13,0	1/2"	42,0
1228894	PE	16	25,0	1"	55,0
1228895	PE	20	32,0	1 1/4"	80,0

SCREW COUPLING - POPPET HDK & HDK HA

Dust plug for male coupling (loose part)



Item Code	Material	ID (Dash)	ID (mm)	ID (in)	D1 (mm)
1228904	PE	5	8,0	5/16"	34,0
1228899	PE	8	13,0	1/2"	42,0
1228901	PE	16	25,0	1"	55,0
1228902	PE	20	32,0	1 1/4"	80,0

// RK

SCREW TYPE FLAT FACE

TOP COAT



DN 10 to 25



to max WP 315 bar

- // Low leak-oil rates, eco-friendly
- // Robust construction
- // Low pressure drop
- // Can be coupled by hand at up to 20 bar

General features: ARGUS RK pipe couplings enable oil leakfree connection and disconnection of hydraulic lines. The coupling consists of one fixed and one loose half. The two halves are coupled by a screwing action with hand nuts and/or hand wheel. During this process, valves in the two halves open against spring force. During decoupling, these valves close before the coupling halves separate. This prevents air intake into the lines, eliminating the need of secondary venting. Coupling can be carried out by hand while pressurised at up to approx. 20 bar, or by means of tools under higher pressures. In the uncoupled status, the coupling halves are protected from contamination and damage with the components indicated as accessories.

Materials: galvanised steel housing and internal components
 - Brass vent sleeve in the loose half - All seals HNBR (FPM seals optional) - Polyethylene dust cap and plug. Top Coat Cr-III zinc plating with additional trivalent passivation for outstanding surface protection.

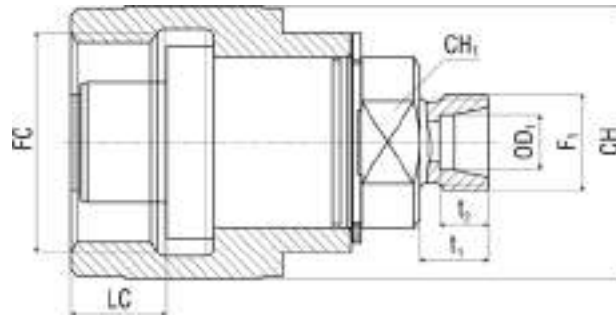
Application: suitable for liquid lines with mineral oil-based hydraulic fluids to DIN 51524 and DIN 51525. Also available for flame-resistant hydraulic fluids to VDMA 24317, for pneumatics and water hydraulics in appropriate materials on request.

Temperature range:

-30 °C +125 °C

Temperature up to 200°C when FPM seals are used

Note: other sizes and connection types available on request. Specific instructions for installation, use and maintenance are separately provided.

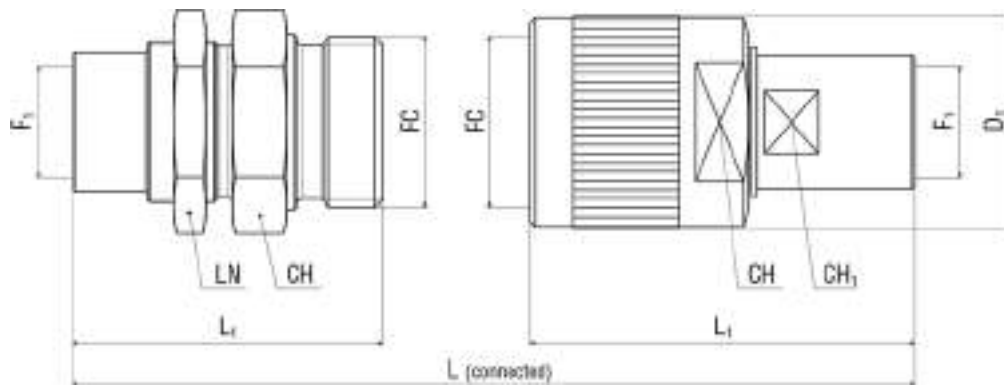


SCREW COUPLING - FLAT FACE RK

Male coupling (loose part) - Metric 24° light/heavy series

Item Code	ID (Dash)	ID (mm)	ID (in)	WP Conn. (Mpa)	Thread 1	F1	OD1	FC	t1 (mm)	t2 (mm)	CH (mm)	CH1 (mm)	LC (mm)
1229629	6	10,0	3/8"	31,5	D24L	M14X1.5	8	M32x3	10,0	7,0	40,0	32,0	14,0
1229630	6	10,0	3/8"	31,5	D24L	M16X1.5	10	M32x3	11,0	7,0	40,0	32,0	14,0
1229631	6	10,0	3/8"	31,5	D24L	M18X1.5	12	M32x3	11,0	7,0	40,0	32,0	14,0
1229632	10	16,0	5/8"	31,5	D24L	M22X1.5	15	M48x3	12,0	7,0	60,0	32,0	24,0
1229633	10	16,0	5/8"	31,5	D24L	M26X1.5	18	M48x3	12,0	7,5	60,0	32,0	24,0
1229634	16	25,0	1"	16,0	D24L	M30X2	22	M60x3	14,0	7,5	154,0	41,0	28,0
1229635	16	25,0	1"	16,0	D24L	M36X2	28	M60x3	14,0	7,5	154,0	41,0	28,0
1229636	6	10,0	3/8"	31,5	D24S	M18X1.5	10	M32x3	12,0	7,5	40,0	32,0	14,0
1229637	6	10,0	3/8"	31,5	D24S	M20X1.5	12	M32x3	12,0	7,5	40,0	32,0	14,0
1229638	6	10,0	3/8"	31,5	D24S	M22X1.5	14	M32x3	14,0	8,0	40,0	32,0	14,0
1222559	10	16,0	5/8"	31,5	D24S	M24X1.5	16	M48x3	14,0	8,5	60,0	32,0	24,0
1229640	10	16,0	5/8"	31,5	D24S	M30X2	20	M48x3	16,0	10,5	60,0	32,0	24,0
1229641	16	25,0	1"	16,0	D24S	M36X2	25	M60x3	18,0	12,0	154,0	41,0	28,0
1229642	16	25,0	1"	16,0	D24S	M42X2	30	M60x3	20,0	13,5	154,0	41,0	28,0

Other sizes and connection types available on request. Specific instructions for installation, use and maintenance are separately provided.



SCREW COUPLING - FLAT FACE RK

Female coupling (fixed part with hexagon nut) - Female thread

Item Code	ID (Dash)	ID (mm)	ID (in)	WP Conn. (Mpa)	Thread 1	F1	FC	CH (mm)	LN (mm)	L1 (mm)	L (mm)
1232376	6	10,0	3/8"	31,5	BSPP	1/2-14	M32x3	36,0	36,0	58,0	116,0
1232377	10	16,0	5/8"	31,5	BSPP	3/4-14	M48x3	55,0	55,0	82,0	144,0
1232378	16	25,0	1"	16,0	BSPP	1-11	M60x3	64,0	70,0	78,0	165,5

Other sizes and connection types available on request. Specific instructions for installation, use and maintenance are separately provided.

SCREW COUPLING - FLAT FACE RK

Male coupling (loose part) - Female thread

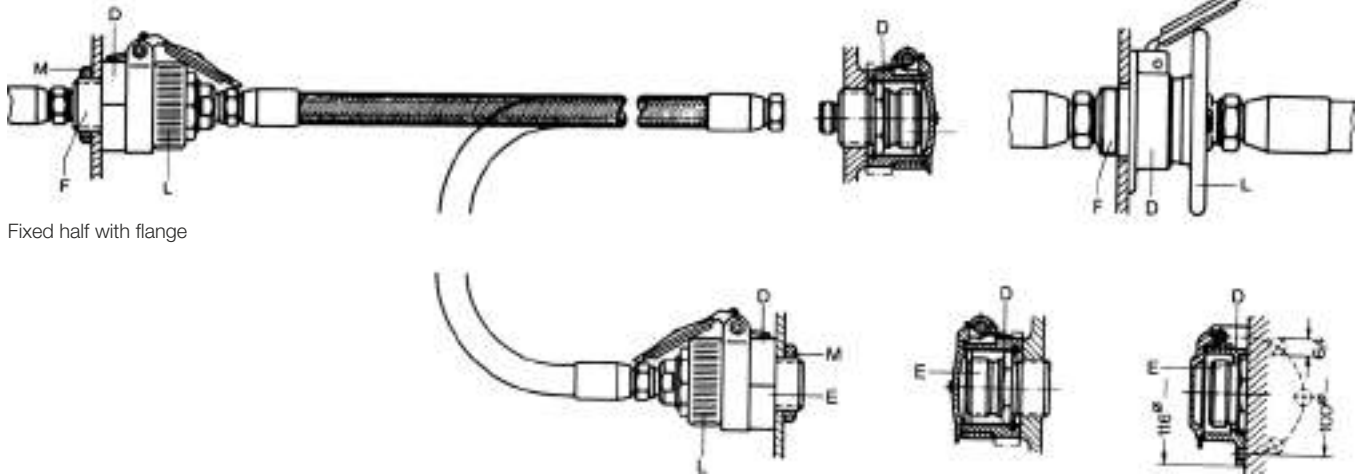
Item Code	ID (Dash)	ID (mm)	ID (in)	WP Conn. (Mpa)	Thread 1	F1	FC	D1 (mm)	CH (mm)	CH1 (mm)	L1 (mm)	L (mm)
1232379	6	10,0	3/8"	31,5	BSPP	1/2-14	M32x3	40,0	22,0	32,0	37,0	116,0
1232380	10	16,0	5/8"	31,5	BSPP	3/4-14	M48x3	60,0	32,0	50,0	86,0	144,0
1232381	16	25,0	1"	16,0	BSPP	1-11	M60x3	154,0	41,0	41,0	88,5	165,5

Other sizes and connection types available on request. Specific instructions for installation, use and maintenance are separately provided. Code 1232381: D1 with hand wheel

Design and dimensions shown may be changed without prior notice

DN 10 to 16 with union nut

DN 25 with hand wheel
Dust protection with flange



Fixed half with flange

Blind socket with dust protection

SCREW COUPLING - FLAT FACE RK

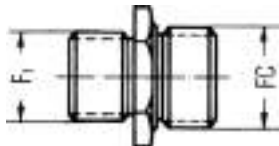
Dust protection D



Item Code	ID (Dash)	ID (mm)	ID (in)	D1 (mm)	CH (mm)	L1 (mm)
1228890	6	10,0	3/8"	68,0	46,0	35,0
1228888	10	16,0	5/8"	95,5	70,0	50,0
1228889	16	25,0	1"	107,0		47,0

SCREW COUPLING - FLAT FACE RK

Blind socket E



Item Code	ID (Dash)	ID (mm)	ID (in)	Thread 1	F1	FC
1228867	6	10,0	3/8"	MET	M30X1.5	M32x3
1228848	10	16,0	5/8"	MET	M45X1.5	M48x3
1228857	16	25,0	1"	MET		M60x3

// RPV

SCREW TYPE FLAT FACE

TOP COAT



DN 6 to 16



to max WP 350 bar

- // Max residual (static) pressure during connection/disconnection up to 30 Mpa
- // Easy to clean flat-face design
- // Oil-leak-proof, environmentally friendly solution
- // Jump-size available on request
- // Available with protective caps
- // Up to 500,000 impulse test according to ISO 6803 in coupled version
- // Compatible with screw system on the market

General features: the ARGUS RPV series provides a safe and fast solution for connecting and disconnecting hydraulic lines at extremely high pressures, even in the presence of under static pressure within the system.

Thanks to the internal valve-equipped mechanism, the connection and disconnection can be executed safely and optimally in the presence of residual pressure.

The internal mechanism, combined with the flat face design, prevents fluid leakage from the system, ensuring the efficiency of the entire apparatus.

The robust structure and thread-to-connect design prevent premature brinelling and indentation phenomena caused by continuous system shocks, ensuring prolonged operational life.

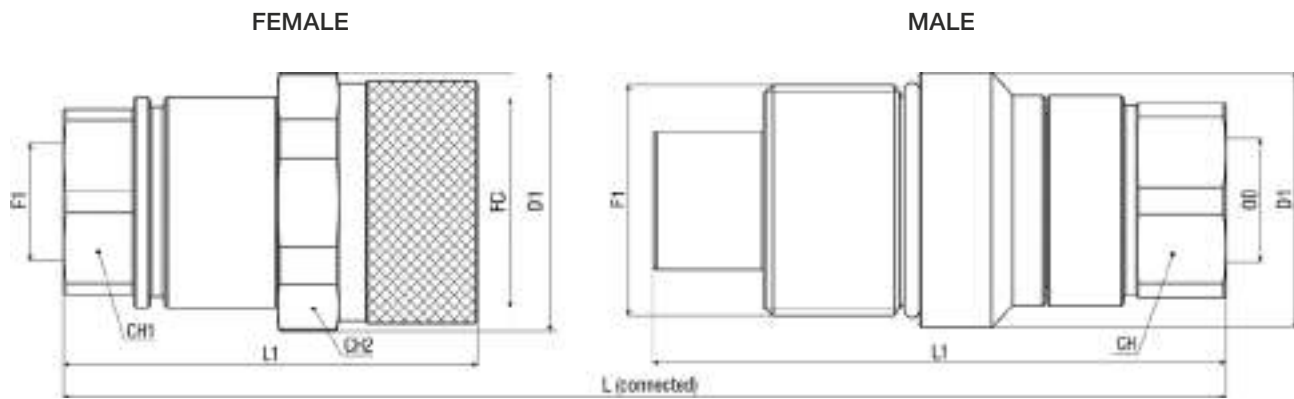
Materials: carbon steel - Zinc plating with additional trivalent passivation - Standard seals NBR, PUR, POM.

Application: suitable for liquid lines with mineral oil-based hydraulic fluids to DIN 51524 and DIN 51525. Also available for flame-resistant hydraulic fluids to VDMA 24317, for pneumatics and water hydraulics in appropriate materials on request.

Temperature range:

from -20 °C to +100 °C

(from -4 °F to +212 °F). Please read carefully instructions and warnings for proper selection of the products.

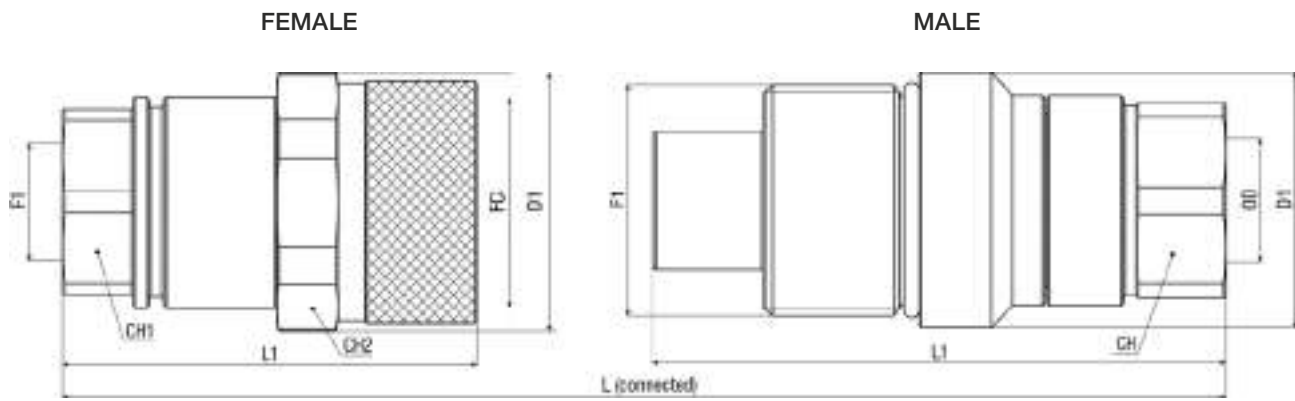


SCREW TYPE - FLAT FACE RPV

Female coupling - Female thread

Item Code	ID (Dash)	ID (mm)	ID (in)	WP Conn. (Mpa)	BP Disconn. (Mpa)	Thread 1	F1	FC	D1 (mm)	CH (mm)	CH1 (mm)	L1 (mm)	L (mm)
1235089	6	10,0	3/8"	35,0	140,0	BSPP	3/8-19	M33X2	41,6	27,0	38,0	71,3	141,3
1235091	8	13,0	1/2"	35,0	140,0	BSPP	1/2-14	M40x3	49,6	32,0	46,0	74,5	154,2
1235093	12	19,0	3/4"	35,0	140,0	BSPP	3/4-14	M50X3	58,6	42,0	55,0	94,5	194,7
1235096	16	25,0	1"	35,0	140,0	BSPP	1 1/4-11	M58X3	69,5	50,0	65,0	110,0	225,0
1235095	16	25,0	1"	35,0	140,0	BSPP	1-11	M58X3	69,5	50,0	65,0	106,5	225,0
1235890	6	10,0	3/8"	35,0	140,0	NPTF	1/2-14	M33X2	41,6	27,0	38,0	71,3	141,3
1235889	6	10,0	3/8"	35,0	140,0	NPTF	3/8-18	M33X2	41,6	27,0	38,0	71,3	141,3
1235892	8	13,0	1/2"	35,0	140,0	NPTF	3/4-14	M40x3	49,6	32,0	46,0	74,5	154,2
1235891	8	13,0	1/2"	35,0	140,0	NPTF	1/2-14	M40x3	49,6	32,0	46,0	74,5	154,2
1235893	12	19,0	3/4"	35,0	140,0	NPTF	3/4-14	M50X3	58,6	42,0	55,0	94,5	194,7
1235895	16	25,0	1"	35,0	140,0	NPTF	1-11 1/2	M58X3	69,5	50,0	65,0	106,0	221,0
1258602	6	10,0	3/8"	35,0	140,0	SAE-OB	9/16-18	M33X2	41,6	27,0	38,0	71,3	143,3
1258603	8	13,0	1/2"	35,0	140,0	SAE-OB	3/4-16	M40x3	49,6	32,0	46,0	74,5	154,2
1258605	12	19,0	3/4"	35,0	140,0	SAE-OB	1 1/16-12	M50X3	58,6	42,0	55,0	95,5	197,7
1258618	16	25,0	1"	35,0	140,0	SAE-OB	1 5/8-12	M58X3	69,5	50,0	65,0	112,0	230,5
1258606	16	25,0	1"	35,0	140,0	SAE-OB	1 5/16-12	M58X3	69,5	50,0	65,0	106,5	223,0

Other sizes and connection types available on request. Specific instructions for installation, use and maintenance are separately provided.



SCREW TYPE - FLAT FACE RPV

Male coupling - Female thread

Item Code	ID (Dash)	ID (mm)	ID (in)	WP Conn. (Mpa)	BP Disconn. (Mpa)	Thread 1	F1	FC	D1 (mm)	CH (mm)	L1 (mm)	L (mm)
1235099	6	10,0	3/8"	35,0	140,0	BSPP	3/8-19	M33X2	38,0	27,0	87,5	141,3
1235101	8	13,0	1/2"	35,0	140,0	BSPP	1/2-14	M40x3	46,0	32,0	98,5	154,2
1235103	12	19,0	3/4"	35,0	140,0	BSPP	3/4-14	M50X3	55,0	42,0	124,0	194,7
1258638	16	25,0	1"	35,0	140,0	BSPP	1 1/4-11	M58X3	65,0	50,0	143,0	225,0
1235105	16	25,0	1"	35,0	140,0	BSPP	1-11	M58X3	65,0	50,0	139,5	225,0
1235899	6	10,0	3/8"	35,0	140,0	NPTF	3/8-18	M33X2	38,0	27,0	87,5	141,3
1235900	6	10,0	3/8"	35,0	140,0	NPTF	1/2-14	M33X2	38,0	27,0	87,5	141,3
1235902	8	13,0	1/2"	35,0	140,0	NPTF	3/4-14	M40x3	46,0	32,0	98,5	154,2
1235901	8	13,0	1/2"	35,0	140,0	NPTF	1/2-14	M40x3	46,0	32,0	98,5	154,2
1235903	12	19,0	3/4"	35,0	140,0	NPTF	3/4-14	M50X3	55,0	42,0	124,0	194,7
1235905	16	25,0	1"	35,0	140,0	NPTF	1-11 1/2	M58X3	65,0	50,0	139,5	221,0
1258619	6	10,0	3/8"	35,0	140,0	SAE-OB	9/16-18	M33X2	38,0	27,0	89,5	143,3
1258620	8	13,0	1/2"	35,0	140,0	SAE-OB	3/4-16	M40x3	46,0	32,0	98,5	154,2
1258621	12	19,0	3/4"	35,0	140,0	SAE-OB	1 1/16-12	M50X3	55,0	42,0	126,0	197,7
1258624	16	25,0	1"	35,0	140,0	SAE-OB	1 5/8-12	M58X3	65,0	50,0	143,0	230,5
1258623	16	25,0	1"	35,0	140,0	SAE-OB	1 5/16-12	M58X3	65,0	50,0	141,0	223,0

Other sizes and connection types available on request. Specific instructions for installation, use and maintenance are separately provided.

// AK

SCREW TYPE FLAT FACE

TOP COAT



DN 10 to 16



to max WP 315 bar

- // Break-away function
- // Extremely low leak-oil rates, very eco-friendly
- // Low pressure drop
- // Can be coupled by hand at up to 20 bar

General features: ARGUS AK break-away couplings enable a leak-oil free connection or disconnection of hydraulic lines. The coupling consists of one fixed and one loose half. The two halves are coupled by a screwing action with hand nut and/or hand wheel. During this process, valves in the two halves open against spring force. During decoupling, these valves close before the coupling halves separate. This prevents air intake into the lines, eliminating the need of secondary venting. Coupling can be carried out by hand while pressurised at up to approx. 20 bar, or by means of tools under higher pressures. The coupling halves can also be pulled apart. This possibility prevents the pipeline system bursting under tensile load and thereby the medium escaping. During the pull-off stroke, the fixed half must be connected to a hose assembly or a spring-mounted pipe. In the uncoupled status, the coupling halves are protected from contamination and damage with the components indicated under Accessories.

Materials: galvanised steel housing and internal parts - Brass vent bush in the loose half - Steel DN 6 to 10 pull-off housing, from DN 12 (13) malleable iron - All seals NBR (FPM optional). Top Coat Cr-III zinc plating with additional trivalent passivation for outstanding surface protection.

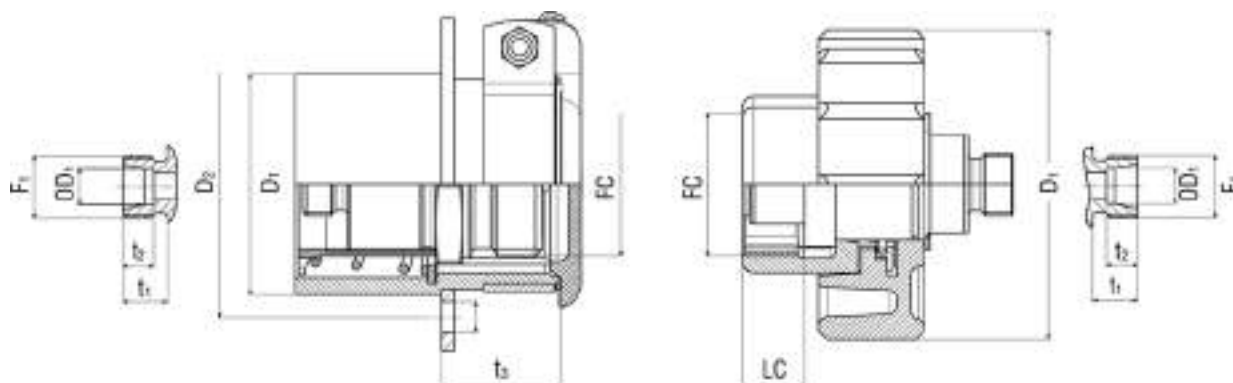
Application: suitable for liquid lines with mineral oil-based hydraulic fluids to DIN 51524 and DIN 51525. Also available for flame-resistant hydraulic fluids to VDMA 24317, for pneumatics and water hydraulics in appropriate materials on request.

Temperature range:

-30 °C +100 °C

Note: other sizes and connection types available on request. Specific instructions for installation, use and maintenance are separately provided.

Same dust protection and blind socket as RK range.



SCREW COUPLING - FLAT FACE AK

Female coupling (fixed part) - Metric 24° light/heavy series

Item Code	ID (Dash)	ID (mm)	ID (in)	WP Conn. (Mpa)	Thread 1	OD1	FC	D1 (mm)	D2 (mm)	t1 (mm)	t2 (mm)	t3 (mm)
1228868	6	10,0	3/8"	31,5	D24L	8	M32x3	50,0	60,0	10,0	7,0	27,0
1228869	6	10,0	3/8"	31,5	D24L	10	M32x3	50,0	60,0	11,0	7,0	27,0
1228870	6	10,0	3/8"	31,5	D24L	12	M32x3	50,0	60,0	11,0	7,0	27,0
1228871	10	16,0	5/8"	31,5	D24L	15	M48x3	75,0	95,0	12,0	7,0	42,0
1228872	10	16,0	5/8"	31,5	D24L	18	M48x3	75,0	95,0	12,0	7,5	42,0
1228873	6	10,0	3/8"	31,5	D24S	10	M60x3	50,0	60,0	12,0	7,5	27,0
1228874	6	10,0	3/8"	31,5	D24S	12	M60x3	50,0	60,0	12,0	7,5	27,0
1228875	6	10,0	3/8"	31,5	D24S	14	M32x3	50,0	60,0	14,0	8,0	27,0
1228876	10	16,0	5/8"	31,5	D24S	16	M32x3	75,0	95,0	14,0	8,5	42,0
1228877	10	16,0	5/8"	31,5	D24S	20	M32x3	75,0	95,0	16,0	10,5	42,0

Other sizes and connection types available on request. Specific instructions for installation, use and maintenance are separately provided.

SCREW COUPLING - FLAT FACE AK

Male coupling (loose part) - Metric 24° light/heavy series

Item Code	ID (Dash)	ID (mm)	ID (in)	WP Conn. (Mpa)	Thread 1	F1	OD1	FC	D1 (mm)	t1 (mm)	t2 (mm)	LC (mm)
1228878	6	10,0	3/8"	31,5	D24L	M14X1.5	8	M32x3	70,0	10,0	7,0	14,0
1228879	6	10,0	3/8"	31,5	D24L	M16X1.5	10	M32x3	70,0	11,0	7,0	14,0
1228880	6	10,0	3/8"	31,5	D24L	M18X1.5	12	M32x3	70,0	11,0	7,0	14,0
1228881	10	16,0	5/8"	31,5	D24L	M22X1.5	15	M48x3	75,0	12,0	7,0	24,0
1228882	10	16,0	5/8"	31,5	D24L	M26X1.5	18	M48x3	75,0	12,0	7,5	24,0
1249664	16	25,0	1"	31,5	D24L	M30X2	22	M60x3	160,0	14,0	7,5	24,0
1228883	6	10,0	3/8"	31,5	D24S	M18X1.5	10	M32x3	70,0	12,0	7,5	14,0
1228884	6	10,0	3/8"	31,5	D24S	M20X1.5	12	M32x3	70,0	12,0	7,5	14,0
1228885	6	10,0	3/8"	31,5	D24S	M22X1.5	14	M32x3	70,0	14,0	8,0	14,0
1228886	10	16,0	5/8"	31,5	D24S	M24X1.5	16	M48x3	75,0	14,0	8,5	24,0
1228887	10	16,0	5/8"	31,5	D24S	M30X2	20	M48x3	75,0	16,0	10,5	24,0

Other sizes and connection types available on request. Specific instructions for installation, use and maintenance are separately provided.

// PTK

SCREW TYPE POPPET STANDARD ISO 14540

TOP COAT



DN 6 to 10



WP 700 bar

- // Typically employed in power tools
- // Compatibility with other couplings in-use

General features: ARGUS PTK high pressure couplings can be used for connecting and disconnecting hydraulic lines. Their robust construction and tested components make them ideally suited for high and intermittent pressure loads. During the coupling action, valves that release and/or block the flow are automatically activated. The PTK quick release coupling, formed by coupling plug and coupling socket, is coupled by a screwing action with the hand nut of the plug component.

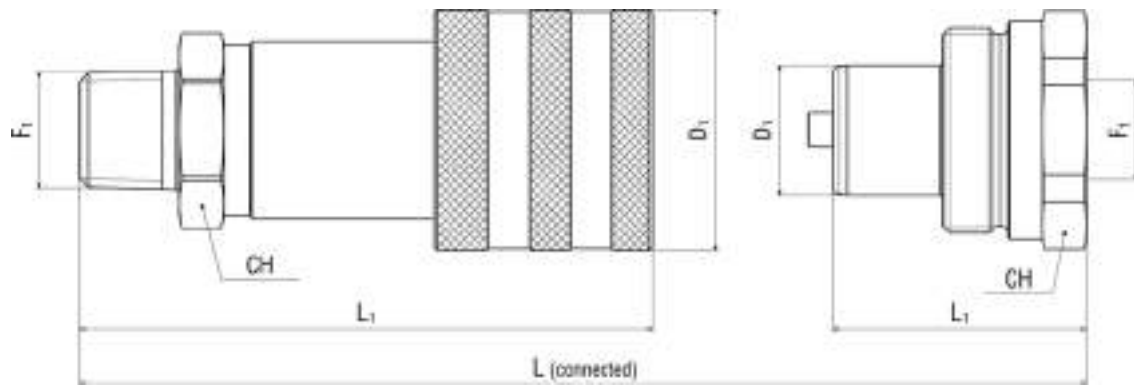
Materials: galvanised steel - HNBR O-rings (other materials optional) - Thermoplastic dust cap and dust plug. Top Coat Cr-III zinc plating with additional trivalent passivation for outstanding surface protection.

Application: suitable for liquid lines with mineral oil-based hydraulic fluids to DIN 51524 T1+T2.

Norm: ISO 14540

Temperature range:
-30 °C +125 °C

Note: rated flow / pressure drop values on request. Other sizes and connection types available on request. Specific instructions for installation, use and maintenance are separately provided.



SCREW COUPLING - POPPET PTK

Female coupling - Male thread

Item Code	ID (Dash)	ID (mm)	ID (in)	WP Conn. (Mpa)	BP Disconn. (Mpa)	Thread 1	F1	D1 (mm)	CH (mm)	L1 (mm)	L (mm)
1233547	4	6,0	1/4"	70,0	280,0	NPTF	1/4-18	28,5	22,0	59,6	74,0
1233548	6	10,0	3/8"	70,0	280,0	NPTF	3/8-18	35,0	25,0	72,5	83,0

Rated flow / pressure drop values on request. Other sizes and connection types available on request.

SCREW COUPLING - POPPET PTK

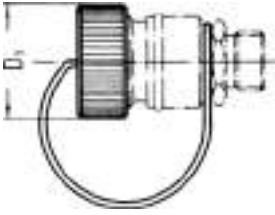
Male coupling - Female thread

Item Code	ID (Dash)	ID (mm)	ID (in)	WP Conn. (Mpa)	BP Disconn. (Mpa)	Thread 1	F1	D1 (mm)	CH (mm)	L1 (mm)	L (mm)
1233545	4	6,0	1/4"	70,0	280,0	NPTF	1/4-18	15,8	19,0	32,5	74,0
1233546	6	10,0	3/8"	70,0	280,0	NPTF	3/8-18	19,0	32,0	35,0	83,0

Rated flow / pressure drop values on request. Other sizes and connection types available on request.

SCREW COUPLING - POPPET PTK

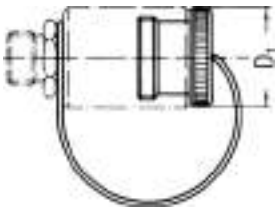
Dust cap for female coupling



Item Code	Colour	Material	ID (Dash)	ID (mm)	ID (in)	D1 (mm)
1223688	BLK	PE	4	6,0	1/4"	23,0
1240287	BLK	PE	6	10,0	3/8"	27,0

SCREW COUPLING - POPPET PTK

Dust plug for male coupling



Item Code	Colour	Material	ID (Dash)	ID (mm)	ID (in)	D1 (mm)
1223690	BLK	PE	4	6,0	1/4"	25,0
1240288	BLK	PE	6	10,0	3/8"	30,0

// MULTI-K

MULTI-COUPLING

TOP COAT



DN 10 to 25



to max WP 350 bar

// Tailor-made according to customer's needs

// Compact, reliable and safe

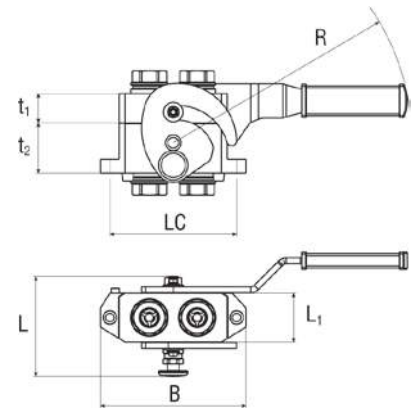
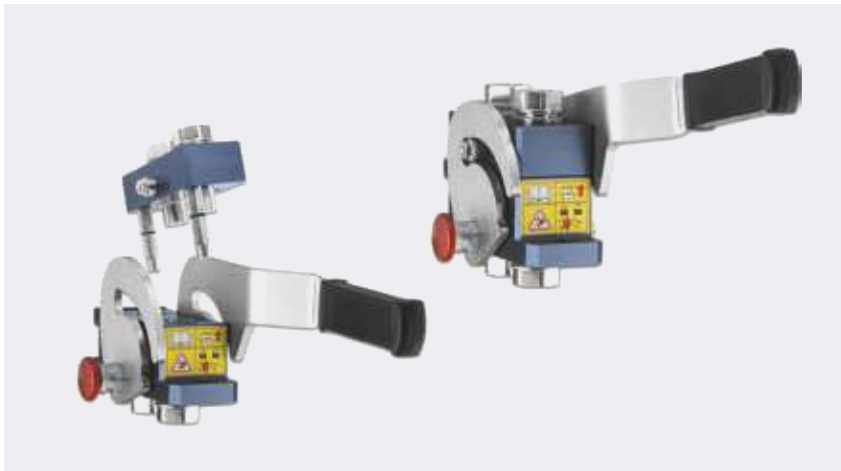
// Compact loader series connectable under full pressure

General features: ARGUS multi-couplings, which consist of a fixed and a mobile part, are developed following the specific needs of the user. The multi-connection plates are obtained from an anodized aluminium block as standard, and include the locations for flat-face couplings built of carbon steel with TOP COAT surface protection, but every component can be manufactured in different materials on request. The number of lines and possible electric or pneumatic connections can be defined depending on the application requirements. Connecting and disconnecting are carried out by means of a camleverage group with guiding pins, and a safety device is always present. Hose connections can be executed with threads of every type (e.g. BSP, NPT, SAE, metric) or also with the quick connect system "Plug-In Connector".

Compact loader series not compatible with standard Multi-K series.

Note: a complete range of spare parts and accessories are available specific instructions for installation, use and maintenance are separately provided.

// MULTI-K 2 LINES LP



Mobile male - Female thread

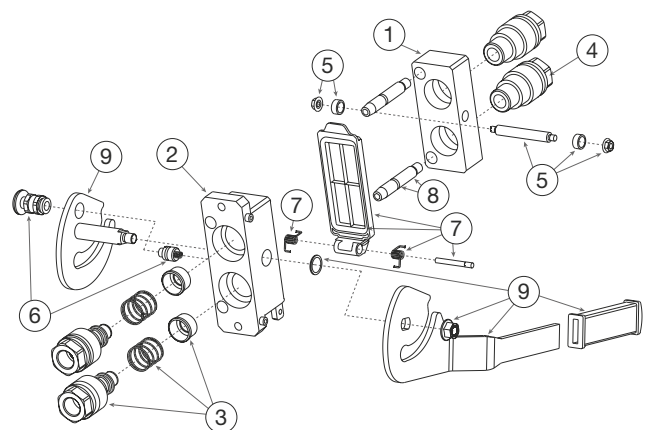
Item Code	ID (Dash)	ID (mm)	ID (in)	WP Conn. (Mpa)	BP Conn. (Mpa)	Thread 1	F1	Lines	Handle	t1 (mm)	LC (mm)	L1 (mm)	L (mm)	B (mm)	R (mm)
1232490	6	10,0	3/8"	25,0	100,0	BSPP	3/8-19	2x3/8	Right	30,0	133,0	50,0	104,5	150,0	245
1232492	8	13,0	1/2"	25,0	100,0	BSPP	1/2-14	2x1/2	Right	30,0	133,0	50,0	104,5	150,0	245
1256702	8	13,0	1/2"	25,0	100,0	BSPP	1/2-14	2x1/2	Left	30,0	133,0	50,0	104,5	150,0	245

Fixed female - Female thread

Item Code	ID (Dash)	ID (mm)	ID (in)	WP Conn. (Mpa)	BP Conn. (Mpa)	Thread 1	F1	Lines	Handle	t2 (mm)	LC (mm)	L1 (mm)	L (mm)	B (mm)	R (mm)
1232491	6	10,0	3/8"	25,0	100,0	BSPP	3/8-19	2x3/8	Right	51,0	133,0	50,0	104,5	150,0	245
1232493	8	13,0	1/2"	25,0	100,0	BSPP	1/2-14	2x1/2	Right	51,0	133,0	50,0	104,5	150,0	245
1256703	8	13,0	1/2"	25,0	100,0	BSPP	1/2-14	2x1/2	Left	51,0	133,0	50,0	104,5	150,0	245

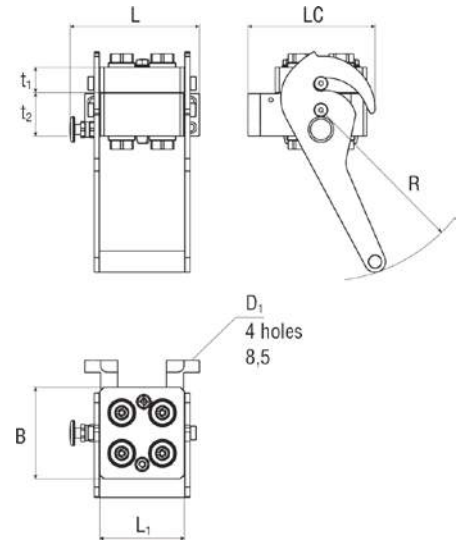
SPARE PARTS

MULTI-K 2 LINES				
Pos.	Description	2x3/8" Right lever	2x1/2" Right lever	2x1/2" Left lever
1	Mobile plate	1233184	1233185	1256705
2	Fixed plate	1233177	1233178	1256704
3	Male coupling	1235929	1239848	1239848
4	Female coupling	1235933	1239847	1239847
5	Screw kit	1240249	1240249	1240249
6	Safety lock kit	1232280	1232280	1232280
7	Cover kit	1240182	1240182	1240182
8	Guide pin kit	1240184	1240184	1240184
9	Lever kit	1259785	1259785	1259787



A complete range of spare parts and accessories are available. Specific instructions for installation, use and maintenance are separately provided. Electric connection also available.

// MULTI-K 4 LINES SQUARE LP



Mobile male - Female thread

Item Code	ID (Dash)	ID (mm)	ID (in)	WP Conn. (Mpa)	BP Conn. (Mpa)	Thread 1	F1	Lines	Handle	t1 (mm)	LC (mm)	L1 (mm)	L (mm)	B (mm)	R (mm)
1232494	6	10,0	3/8"	25,0	100,0	BSPP	3/8-19	4x3/8	Combined	30,0	150,0	100,0	155,0	108,0	203
1232496	8	13,0	1/2"	25,0	100,0	BSPP	1/2-14	4x1/2	Combined	30,0	150,0	100,0	155,0	108,0	203

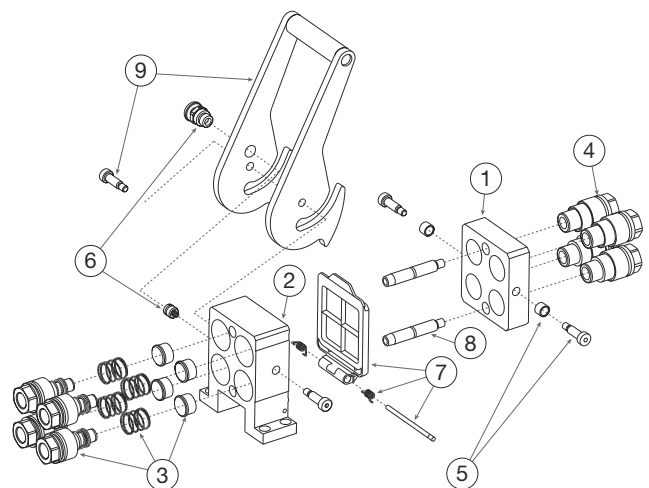
Fixed female - Female thread

Item Code	ID (Dash)	ID (mm)	ID (in)	WP Conn. (Mpa)	BP Conn. (Mpa)	Thread 1	F1	Lines	Handle	t2 (mm)	LC (mm)	L1 (mm)	L (mm)	B (mm)	R (mm)
1232495	6	10,0	3/8"	25,0	100,0	BSPP	3/8-19	4x3/8	Combined	51,0	150,0	100,0	155,0	108,0	203
1232497	8	13,0	1/2"	25,0	100,0	BSPP	1/2-14	4x1/2	Combined	51,0	150,0	100,0	155,0	108,0	203

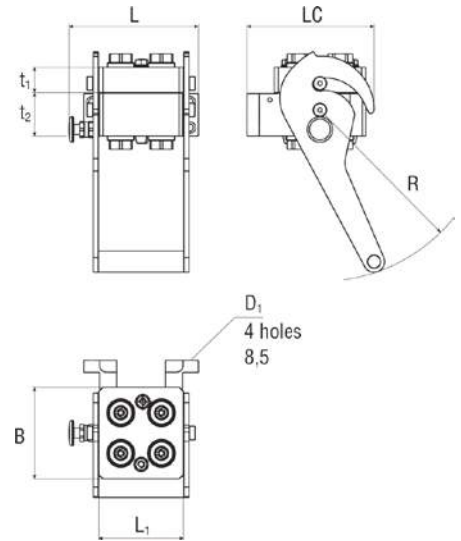
SPARE PARTS

MULTI-K 4 LINES SQUARE LP			
Pos.	Description	4x3/8"	4x1/2"
1	Mobile plate	1233186	1233210
2	Fixed plate	1233179	1232209
3	Male coupling	1235929	1239848
4	Female coupling	1235933	1239847
5	Screw kit	1232282	1232282
6	Safety lock kit	1232280	1232280
7	Cover kit	1260042	1260042
8	Guide pin kit	1249268	1249268
9	Lever kit	1260049	1260049

A complete range of spare parts and accessories are available. Specific instructions for installation, use and maintenance are separately provided. Electric connection also available.



// MULTI-K 4 LINES SQUARE LP JUMPSIZE



Mobile male - Female thread

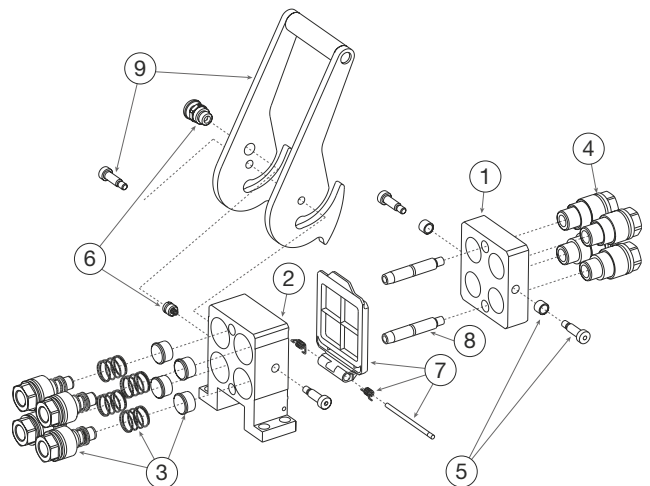
Item Code	ID (Dash)	ID (mm)	ID (in)	WP Conn. (Mpa)	BP Conn. (Mpa)	Thread 1	F1	Lines	Handle	t1 (mm)	LC (mm)	L1 (mm)	L (mm)	B (mm)	R (mm)
1242063	6 8	10,0 13,0	3/8" 1/2"	25,0	100,0	BSPP	3/8-19 1/2-14	2X3/8 + 2X1/2	Combined	30,0	150,0	100,0	155,0	108,0	203
1258122	6 12	10,0 19,0	3/8" 3/4"	25,0	100,0	BSPP	3/8-19 3/4-14	2X3/8 + 2X3/4	Left	30,0	150,0	260,0	155,0	110,0	203

Fixed female - Female thread

Item Code	ID (Dash)	ID (mm)	ID (in)	WP Conn. (Mpa)	BP Conn. (Mpa)	Thread 1	F1	Lines	Handle	t2 (mm)	LC (mm)	L1 (mm)	L (mm)	B (mm)	R (mm)
1242065	6 8	10,0 13,0	3/8" 1/2"	25,0	100,0	BSPP	3/8-19 1/2-14	2x3/8 + 2x1/2	Combined	51,0	150,0	100,0	155,0	108,0	203
1258121	6 12	10,0 19,0	3/8" 3/4"	25,0	100,0	BSPP	3/8-19 3/4-14	2X3/8 + 2X3/4	Left	51,0	150,0	100,0	155,0	110,0	203

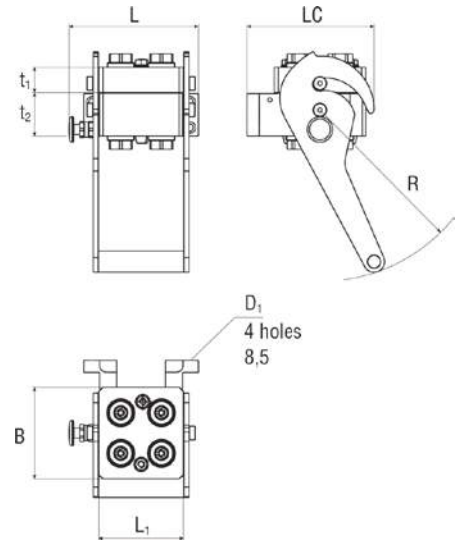
SPARE PARTS

MULTI-K 4 LINES SQUARE LP JUMPSIZE			
Pos.	Description	2x3/8" + 2x1/2"	2x3/8" + 2x3/4"
1	Mobil plate	1242062	1260055
2	Fixed plate	1242061	1258888
3a	Male coupling 3/8"	1235929	1235929
3b	Male coupling 1/2"	1239848	-
3c	Male coupling 3/4"	-	1256106
4a	Female coupling 3/8"	1235933	1235933
4b	Female coupling 1/2"	1239847	-
4c	Female coupling 3/4"	-	1259105
5	Screw kit	1232282	1260056
6	Safety lock kit	1232280	1259952
7	Cover kit	1260042	1260042
8	Guide pin kit	1249268	1249268
9	Lever kit	1260049	1260053



A complete range of spare parts and accessories are available. Specific instructions for installation, use and maintenance are separately provided. Electric connection also available.

// MULTI-K 4 LINES SQUARE HP



Mobile male - Female thread

Item Code	ID (Dash)	ID (mm)	ID (in)	WP Conn. (Mpa)	BP Conn. (Mpa)	Thread 1	F1	Lines	Handle	t1 (mm)	LC (mm)	L1 (mm)	L (mm)	B (mm)	R (mm)
1245848	6	10,0	3/8"	35,0	140,0	BSP	3/8-19	4x3/8	Combined	30,0	150,0	100,0	155,0	108,0	203
1245852	8	13,0	1/2"	35,0	140,0	BSP	1/2-14	4x1/2	Combined	30,0	150,0	100,0	155,0	108,0	203

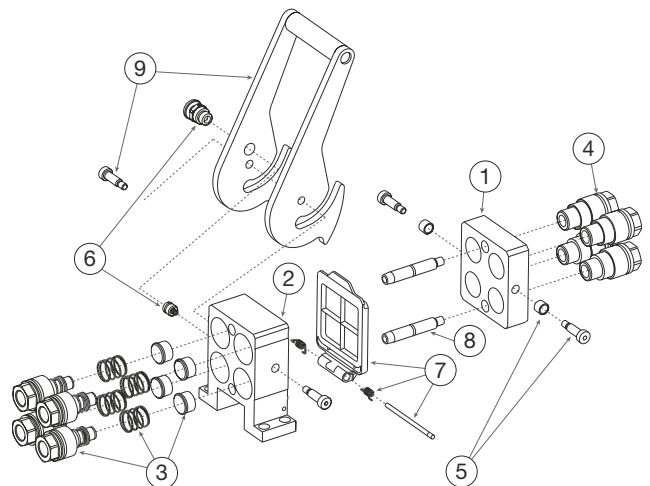
Fixed female - Female thread

Item Code	ID (Dash)	ID (mm)	ID (in)	WP Conn. (Mpa)	BP Conn. (Mpa)	Thread 1	F1	Lines	Handle	t2 (mm)	LC (mm)	L1 (mm)	L (mm)	B (mm)	R (mm)
1245849	6	10,0	3/8"	35,0	140,0	BSP	3/8-19	4x3/8	Combined	51,0	150,0	100,0	155,0	108,0	203
1245853	8	13,0	1/2"	35,0	140,0	BSP	1/2-14	4x1/2	Combined	51,0	150,0	100,0	155,0	108,0	203

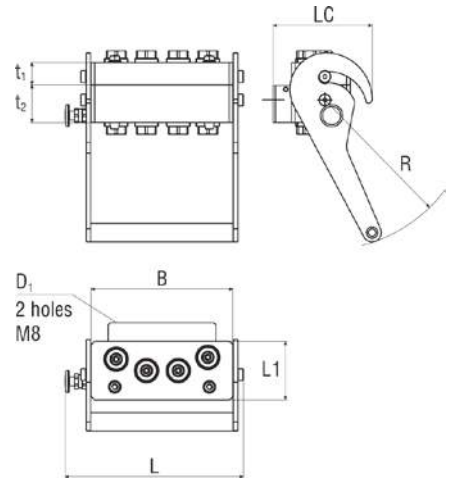
SPARE PARTS

MULTI-K 4 LINES SQUARE HP			
Pos.	Description	4x3/8"	4x1/2"
1	Mobile plate	1245850	1242728
2	Fixed plate	1245851	1242739
3	Male coupling	1235929	1239848
4	Female coupling	1235933	1239847
5	Screw kit	1259948	1259948
6	Safety lock kit	1259952	1259952
7	Cover kit	1260042	1260042
8	Guide pin kit	1249268	1249268
9	Lever kit	1260052	1260052

A complete range of spare parts and accessories are available. Specific instructions for installation, use and maintenance are separately provided. Electric connection also available.



// MULTI-K 4 LINES RECTANGULAR LP



Mobile male - Female thread

Item Code	ID (Dash)	ID (mm)	ID (in)	WP Conn. (Mpa)	BP Conn. (Mpa)	Thread 1	F1	Lines	Handle	t1 (mm)	LC (mm)	L1 (mm)	L (mm)	B (mm)	R (mm)
1232311	6	10,0	3/8"	25,0	100,0	BSPP	3/8-19	4x3/8	Combined	30,0	134,3	79,6	243,5	192,0	203
1232498	8	13,0	1/2"	25,0	100,0	BSPP	1/2-14	4x1/2	Combined	30,0	134,3	84,6	243,5	192,0	203

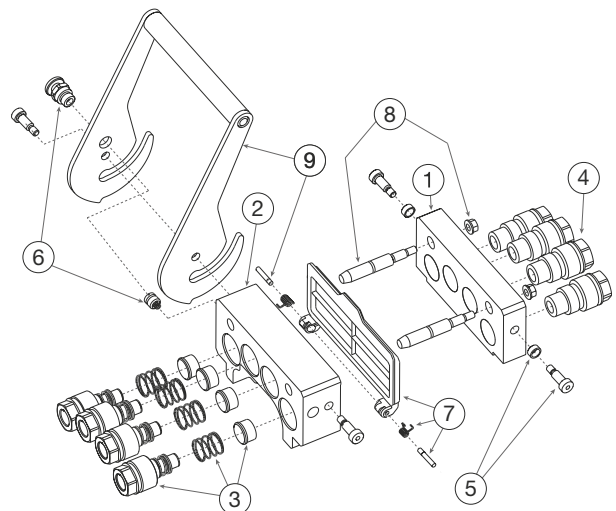
Fixed female - Female thread

Item Code	ID (Dash)	ID (mm)	ID (in)	WP Conn. (Mpa)	BP Conn. (Mpa)	Thread 1	F1	Lines	Handle	t2 (mm)	LC (mm)	L1 (mm)	L (mm)	B (mm)	R (mm)
1232190	6	10,0	3/8"	25,0	100,0	BSPP	3/8-19	4x3/8	Combined	51,0	134,3	79,6	243,5	192,0	203
1233704	8	13,0	1/2"	25,0	100,0	BSPP	1/2-14	4x1/2	Combined	51,0	134,3	84,6	243,5	192,0	203

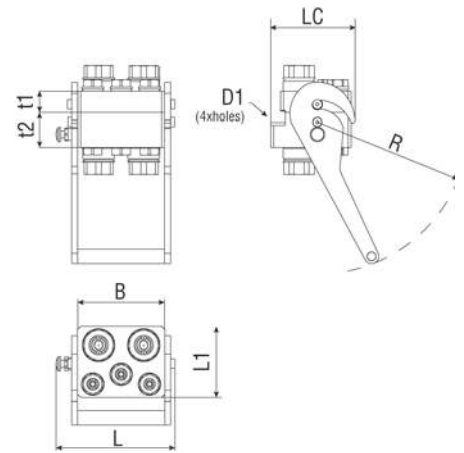
SPARE PARTS

MULTI-K 4 LINES RECTANGULAR HP			
Pos.	Description	4x3/8"	4x1/2"
1	Mobile plate	1232208	1236572
2	Fixed plate	1247803	1247807
3	Male coupling	1235929	1245740
4	Female coupling	1235933	1239847
5	Screw kit	1232282	1232282
6	Safety lock kit	1232280	1232280
7	Cover kit	1252974	1252974
8	Guide pin kit	1232281	1232281
9	Lever kit	1260047	1260047

A complete range of spare parts and accessories are available. Specific instructions for installation, use and maintenance are separately provided. Electric connection also available.



// MULTI-K 5 LINES LP JUMPSIZE



Mobile male - Female thread

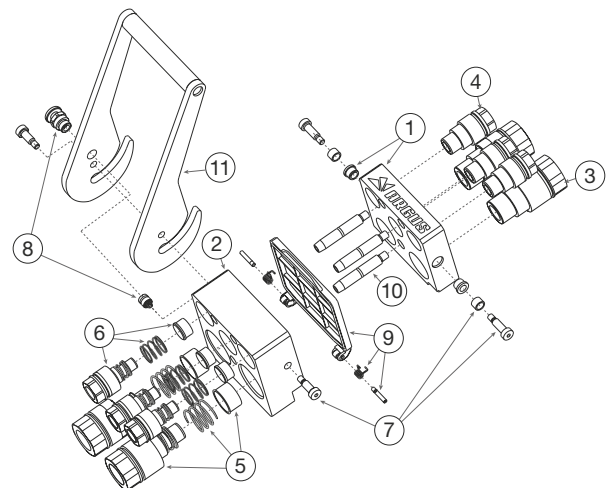
Item Code	ID (Dash)	ID (mm)	ID (in)	WP Conn. (Mpa)	BP Conn. (Mpa)	Thread 1	F1	Lines	Handle	t1 (mm)	LC (mm)	L1 (mm)	L (mm)	B (mm)	R (mm)
1256671	8 16	13,0 25,0	1/2" 1"	25,0	100,0	BSPP	1/2-14 1-11	3X1/2 + 2X1	Combined	36,0	145,4	122,0	363,0	150,0	263

Fixed female - Female thread

Item Code	ID (Dash)	ID (mm)	ID (in)	WP Conn. (Mpa)	BP Conn. (Mpa)	Thread 1	F1	Lines	Handle	t2 (mm)	LC (mm)	L1 (mm)	L (mm)	B (mm)	R (mm)
1256670	8 16	13,0 25,0	1/2" 1"	25,0	100,0	BSPP	1/2-14 1-11	3X1/2 + 2X1	Combined	60,0	145,4	122,0	363,0	150,0	263

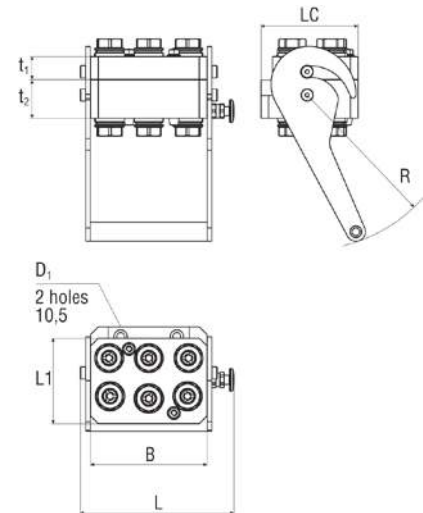
SPARE PARTS

MULTI-K 5 LINES		
Pos.	Description	3x1/2" + 2x1"
1	Mobile plate	1260054
2	Fixed plate	1256746
3a	Male coupling 1/2"	1239848
3b	Male coupling 1"	1256111
4a	Female coupling 1/2"	1239847
4b	Female coupling 1"	1256110
5	Screw kit	1259948
6	Safety lock kit	1259952
7	Cover kit	1257483
8	Guide pin kit	1259947
9	Lever kit	1259953



A complete range of spare parts and accessories are available. Specific instructions for installation, use and maintenance are separately provided. Electric connection also available.

// MULTI-K 6 LINES LP



Mobile male - Female thread

Item Code	ID (Dash)	ID (mm)	ID (in)	WP Conn. (Mpa)	BP Conn. (Mpa)	Thread 1	F1	Lines	Handle	t1 (mm)	LC (mm)	L1 (mm)	L (mm)	B (mm)	R (mm)
1232502	6	10,0	3/8"	25,0	100,0	BSPF	3/8-19	6x3/8	Combined	30,0	142,5	112,0	204,0	152,4	203
1232504	8	13,0	1/2"	25,0	100,0	BSPF	1/2-14	6x1/2	Combined	30,0	142,5	112,0	204,0	152,4	203

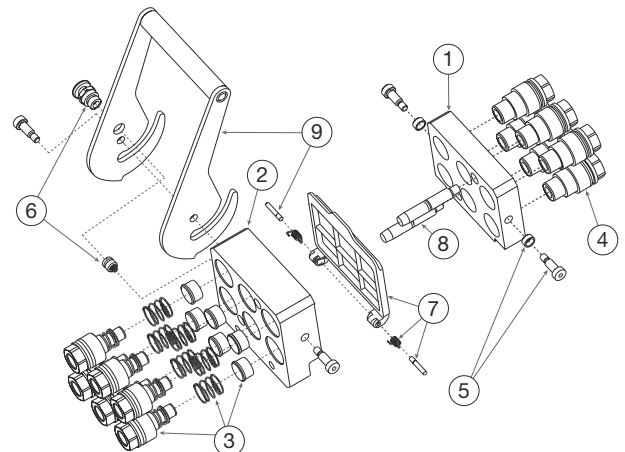
Fixed female - Female thread

Item Code	ID (Dash)	ID (mm)	ID (in)	WP Conn. (Mpa)	BP Conn. (Mpa)	Thread 1	F1	Lines	Handle	t2 (mm)	LC (mm)	L1 (mm)	L (mm)	B (mm)	R (mm)
1232503	6	10,0	3/8"	25,0	100,0	BSPF	3/8-19	6x3/8	Combined	51,0	142,5	112,0	204,0	152,4	203
1232505	8	13,0	1/2"	25,0	100,0	BSPF	1/2-14	6x1/2	Combined	51,0	142,5	112,0	204,0	152,4	203

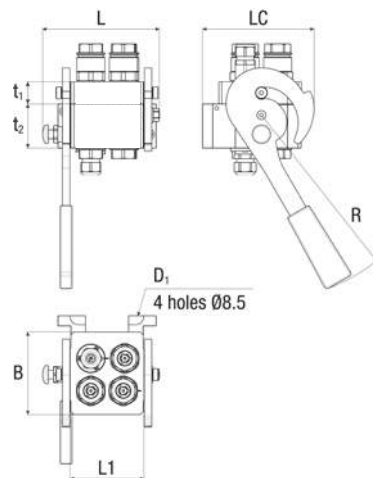
SPARE PARTS

MULTI-K 6 LINES			
Pos.	Description	6x3/8"	6x1/2"
1	Mobile plate	1233189	1233190
2	Fixed plate	1233182	1233183
3	Male coupling	1235929	1239848
4	Female coupling	1235933	1239847
5	Screw kit	1232282	1232282
6	Safety lock kit	1232280	1232280
7	Cover kit	1259844	1259845
8	Guide pin kit	1249268	1249268
9	Lever kit	1259943	1259943

A complete range of spare parts and accessories are available. Specific instructions for installation, use and maintenance are separately provided.



// MULTI-K 4 LINES SQUARE LP - COMPACT LOADER SERIES



Mobile male - Female thread

Item code	ID (Dash)	ID (mm)	ID (in)	EC	WP Conn. (MPa)	BP Conn. (MPa)	Thread 1	F1	Lines	Handle	t1 (mm)	LC (mm)	L1 (mm)	L (mm)	B (mm)	R (mm)
1259155	8	13	1/2"	-	25	100	BSPP	1/2-14	3x1/2"	-	30	-	100	-	112	-
1259396	8	13	1/2"	-	25	100	BSPP	1/2-14	2x1/2" (cross)	-	30	-	100	-	112	-
1259395	8	13	1/2"	-	25	100	BSPP	1/2-14	2x1/2" (in line)	-	30	-	100	-	112	-
1262131	8	13	1/2"	7 pin	25	100	BSPP	1/2"-14	3x1/2" + EC	-	30	-	100	-	112	-
1262133	8	13	1/2"	-	25	100	BSPP	1/2-14	4x1/2"	-	30	-	100	-	112	-

EC = Electrical connector

Fixed female - Female thread

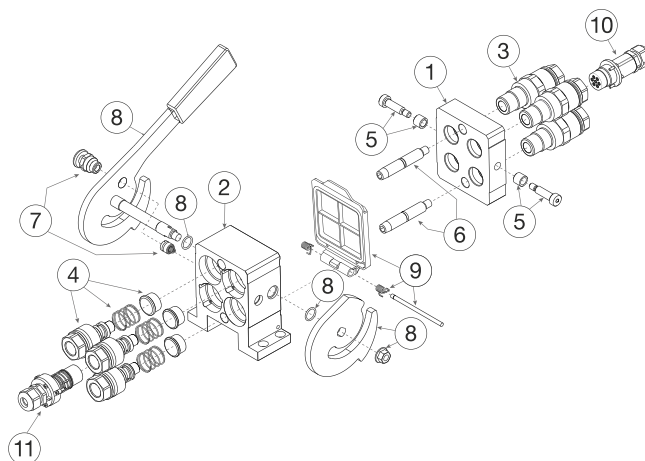
Item code	ID (Dash)	ID (mm)	ID (in)	EC	WP Conn. (MPa)	BP Conn. (MPa)	Thread 1	F1	Lines	Handle	t2 (mm)	LC (mm)	L1 (mm)	L (mm)	B (mm)	R (mm)
1259168	8	13	1/2"	-	25	100	BSPP	1/2-14	3x1/2"	Left	60	151	-	158,5	-	252
1262130	8	13	1/2"	7 pin	25	100	BSPP	1/2-14	3x1/2" + EC	Left	60	151	-	158,5	-	252
1262132	8	13	1/2"	-	25	100	BSPP	1/2-14	4x1/2"	Left	60	151	-	158,8	-	252

EC = Electrical connector

SPARE PARTS

MULTI-K 4 LINES COMPACT LOADER SERIES		
Pos.	Description	Part number
1	Mobile plate	1259156
2	Fixed Plate	1259169
3	Male coupling	1258757
4	Female coupling	1258758
5	Screw kit	1259948
6	Guide pin kit	1249268
7	Safety lock kit	1259948
8	Left lever kit	1259173
9	Cover kit	1260042
10	Female EC (7 pins)	1259556
11	Male EC (7 pins)	1259557

A complete range of spare parts and accessories are available. Specific instructions for installation, use and maintenance are separately provided.



// RV

NON RETURN VALVE

TOP COAT



DN 6 to 25



to max WP 400 bar

// One-piece housing

// Low pressure drop

General features: non return valves enable a flow in one direction and block it in the opposite direction. They therefore belong to the group of check valves (DIN 24300). ARGUS non return valves guarantee an extremely low-resistant flow through their streamlined internal parts. The valves are sealed by spring-hydraulic poppets and washer. Stroke limitation ensures free outlet opening. Depending on opening pressure, they can also be used as a suction and safety valve.

Materials: galvanized steel housing and poppet valve - Brass housing also available - Brass valve stem guide - TPE seals (PTFE optional). Top Coat Cr-III zinc plating with additional trivalent passivation for outstanding surface protection.


Application: suitable for liquid lines with mineral oil-based hydraulic fluids to DIN 51524 and DIN 51525. Also available for flame-resistant hydraulic fluids to VDMA 24317, for pneumatics and water hydraulics in appropriate materials on request.

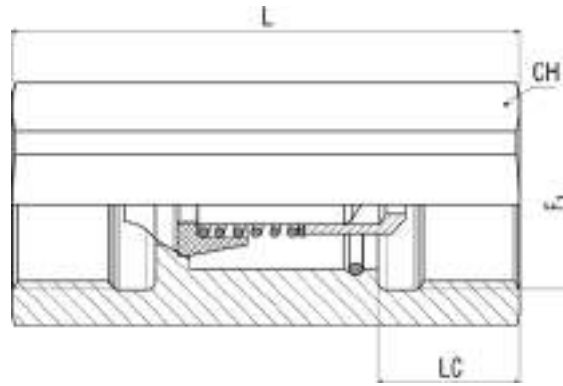
Temperature range:

-30 °C +125 °C

Viscosity range: to 400 cSt (53 °E)

Note: specific instructions for installation, use and maintenance are separately provided.

Symbol: 

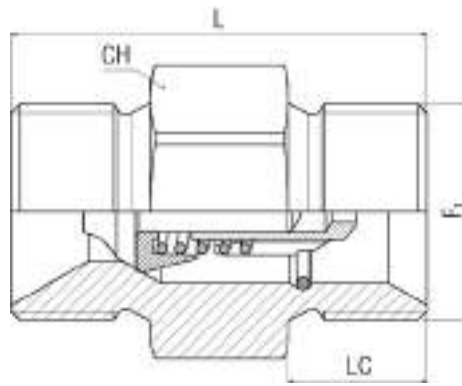


NON RETURN VALVE - RV

Female thread

Item Code	ID (Dash)	ID (mm)	ID (in)	WP (bar)	Opening pressure (bar)	Thread 1P	F1	CH (mm)	LC (mm)	L (mm)
1232166	4	6,0	1/4"	400	0,5	BSPP	1/4-19	19,0	14,0	50,0
1232156	4	6,0	1/4"	400	2,0	BSPP	1/4-19	19,0	14,0	50,0
1232157	4	6,0	1/4"	400	4,0	BSPP	1/4-19	19,0	14,0	50,0
1228914	6	10,0	3/8"	400	0,5	MET	M16X1.5	22,0	14,0	50,0
1219731	6	10,0	3/8"	400	0,5	BSPP	3/8-19	22,0	14,0	50,0
1232158	6	10,0	3/8"	400	2,0	BSPP	3/8-19	22,0	14,0	50,0
1232159	6	10,0	3/8"	400	4,0	BSPP	3/8-19	22,0	14,0	50,0
1228915	8	13,0	1/2"	315	0,5	MET	M22X1.5	27,0	16,0	57,0
1219730	8	13,0	1/2"	315	0,5	BSPP	1/2-14	27,0	16,0	57,0
1232160	8	13,0	1/2"	315	2,0	BSPP	1/2-14	27,0	16,0	57,0
1232161	8	13,0	1/2"	315	4,0	BSPP	1/2-14	27,0	16,0	57,0
1232167	12	19,0	3/4"	250	0,5	BSPP	3/4-14	36,0	16,0	65,0
1232162	12	19,0	3/4"	250	2,0	BSPP	3/4-14	36,0	16,0	65,0
1232163	12	19,0	3/4"	250	4,0	BSPP	3/4-14	36,0	16,0	65,0
1228917	16	25,0	1"	250	0,5	BSPP	1-11	41,0	18,0	73,0
1228918	16	25,0	1"	250	0,5	MET	M30X1.5	41,0	18,0	73,0
1232164	16	25,0	1"	250	2,0	BSPP	1-11	41,0	18,0	73,0
1232165	16	25,0	1"	250	4,0	BSPP	1-11	41,0	18,0	73,0

Specific instructions for installation, use and maintenance are separately provided.



NON RETURN VALVE - RV

Male thread

Item Code	ID (Dash)	ID (mm)	ID (in)	WP (bar)	Opening pressure (bar)	Thread 1P	F1	CH (mm)	LC (mm)	L (mm)
1242221	6	10,0	3/8"	350	1,0	BSPP	3/8-19	22,0	12,0	40,0
1242225	6	10,0	3/8"	350	3,0	BSPP	3/8-19	22,0	12,0	40,0
1242598	6	10,0	3/8"	350	6,0	BSPP	3/8-19	22,0	12,0	40,0
1242227	8	13,0	1/2"	350	1,0	BSPP	1/2-14	27,0	14,0	44,0
1242231	8	13,0	1/2"	350	3,0	BSPP	1/2-14	27,0	14,0	44,0
1242600	8	13,0	1/2"	350	6,0	BSPP	1/2-14	27,0	14,0	44,0
1242233	12	19,0	3/4"	350	1,0	BSPP	3/4-14	32,0	17,0	51,0
1242234	12	19,0	3/4"	350	3,0	BSPP	3/4-14	32,0	17,0	51,0
1242601	12	19,0	3/4"	350	6,0	BSPP	3/4-14	32,0	17,0	51,0
1242612	16	25,0	1"	320	1,0	BSPP	1-11	40,0	19,5	65,0
1242615	16	25,0	1"	320	3,0	BSPP	1-11	40,0	19,5	65,0
1242617	16	25,0	1"	320	6,0	BSPP	1-11	40,0	19,5	65,0
1242236	20	32,0	1 1/4"	320	1,0	BSPP	1 1/4-11	50,0	21,0	76,0
1242237	20	32,0	1 1/4"	320	6,0	BSPP	1 1/4-11	50,0	21,0	76,0
1242605	20	32,0	1 1/4"	320	9,0	BSPP	1 1/4-11	50,0	21,0	76,0
1242620	24	38,0	1 1/2"	320	1,0	BSPP	1 1/2-11	55,0	22,0	80,0
1242621	24	38,0	1 1/2"	320	6,0	BSPP	1 1/2-11	55,0	22,0	80,0
1242622	24	38,0	1 1/2"	320	9,0	BSPP	1 1/2-11	55,0	22,0	80,0

// PRV

CARTRIDGE NON RETURN VALVE

TOP COAT



DN 6 to 25



to max WP 400 bar

// One-piece housing
// Low pressure drop

General features: ARGUS PRV cartridge non return valves are designed for direct installation into device or machine housings. They enable a flow in one direction and block it in the opposite direction. They therefore belong to the group of check valves (DIN 24300). ARGUS PRV cartridge non return valves ensure particularly low-resistance flow through their streamlined internal parts. The valves are sealed by spring-loaded poppets and washer. Stroke limitation ensures free outlet opening. Depending on opening pressure, they can also be used as suction and safety valves.

Materials: gunmetal housing, galvanized steel valve - Brass valve stem guide - Steel spring compression spring - TPE seals (PTFE optional). Cr-III zinc plating through additional passivation for improved surface protection.

Application: suitable for liquid lines with mineral oil-based hydraulic fluids to DIN 51524 and DIN 51525. Also available for flame-resistant hydraulic fluids to VDMA 24317, for pneumatics and water hydraulics in appropriate materials on request.

Temperature range:

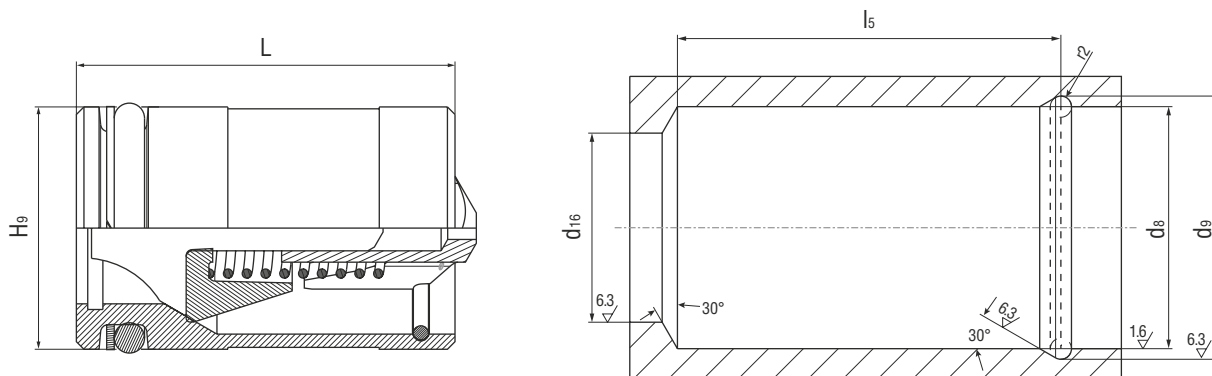
-30 °C +100 °C

Viscosity range: to 400 cSt (53 °E)

Note: customised versions of cartridge non return valves. ARGUS can develop check valves according to customer's needs or specifications.

Specific instructions for installation, use and maintenance are separately provided.

Symbol: 



NON RETURN VALVE - PRV

Cartridge

Item Code	Part Number	ID (Dash)	ID (mm)	ID (in)	Opening pressure (bar)	WP (bar)	d ₈ E7 (mm)	H ₉ (mm)	d ₉ (+ 0,1 mm)	d ₁₆ (mm)	l ₅ (+ 0,5 mm)	r ₂ (mm)
1228905	R1Q-399700	-4	6,0	1/4"	0,5	400	16	16	17,6	10,0	30,2	0,9
1219732	R1Q-399710	-6	10,0	3/8"	0,5	315	22	22	24,0	16,0	36,5	1,1
1228906	R1Q-399720	-5	16,0	5/8"	0,5	315	32	32	34,5	25,0	50,7	1,4
1228907	R1Q-399730	-16	25,0	1"	0,5	315	50	50	52,5	35,0	72,0	1,4

Customised versions of cartridge non return valves. ARGUS can develop check valves according to customer's needs or specifications. Specific instructions for installation, use and maintenance are separately provided.

SPECIAL ITEMS

Customized versions of cartridge non return valves. ARGUS can develop check valves according to customer's needs or specifications.

MIL Standard



// LBS

EXCESS FLOW CHECK VALVE

TOP COAT



DN 6 to 16



to max WP 400 bar

// One-piece housing

// Low pressure drop

General features: ARGUS LBS excess flow check valves are installed in systems to prevent the medium escaping through line breaks. Under normal operation, they are open and installed near to a tank or cylinder to be protected. They close if excess flow speeds occur. Each excess flow check valve is rated for maximum flow speed. The excess flow check valve is held in the OPEN position by a compression spring. If the spring pre-tension is exceeded, the poppet valve moves in the valve seat and closes the line. Outside influences, e.g. sudden movements, impact on moving devices, installed position, can create axial forces and thereby changes in the closing volume. If the user is unable to prevent from such influences, system tests must be run. The excess flow check valve has to be installed as close as possible to the component to be protected (tank or cylinder), whereby high flow resistances between the element to be protected and the excess flow check valve are to be prevented.

Materials: galvanized steel housing and poppet valve - Brass valve stem guide - Steel spring compression spring. Top Coat Cr-III zinc plating with additional trivalent passivation for outstanding surface protection.


Application: suitable for liquid lines with mineral oil-based hydraulic fluids to DIN 51524 and DIN 51525. Also available for flame-resistant hydraulic fluids to VDMA 24317, for pneumatics and water hydraulics in appropriate materials on request.

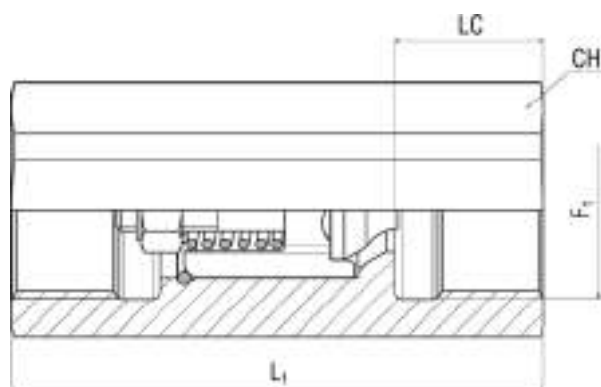
Temperature range:

-30 °C +125 °C

Viscosity range: to 400 cSt (53 °E)

Note: other closing volumes and connection types on request. Specific instructions for installation, use and maintenance are separately provided.

Symbol: 



EXCESS FLOW CHECK VALVE - LBS

Female thread

Item Code	ID (Dash)	ID (mm)	ID (in)	WP (bar)	Closing Volume (l/min)	Thread 1P	F1	CH (mm)	LC (mm)	L (mm)
1228908	06	10,0	3/8"	400	40,0	BSPP	3/8-19	22,0	14,0	50,0
1228909	06	10,0	3/8"	400	40,0	MET	M16X1.5	22,0	14,0	50,0
1228910	08	13,0	1/2"	315	90,0	BSPP	1/2-14	27,0	16,0	57,0
1228911	08	13,0	1/2"	315	90,0	MET	M22X1.5	27,0	16,0	57,0
1228912	16	25,0	1"	250	200,0	MET	M30X1.5	36,0	18,0	73,0
1240656	16	25,0	1"	250	200,0	BSPP	1-11	41,0	18,0	73,0

customised versions of cartridge non return valves. ARGUS can develop check valves according to customer's needs or specifications. Specific instructions for installation, use and maintenance are separately provided.

// SWIVEL CONNECTOR

SWIVEL JOINT

TOP COAT



DN 10 to 51



to max WP 410 bar

// Extremely low torque for rotation under pressure

// Robust, compact and lightweight

// Outstanding wear resistance

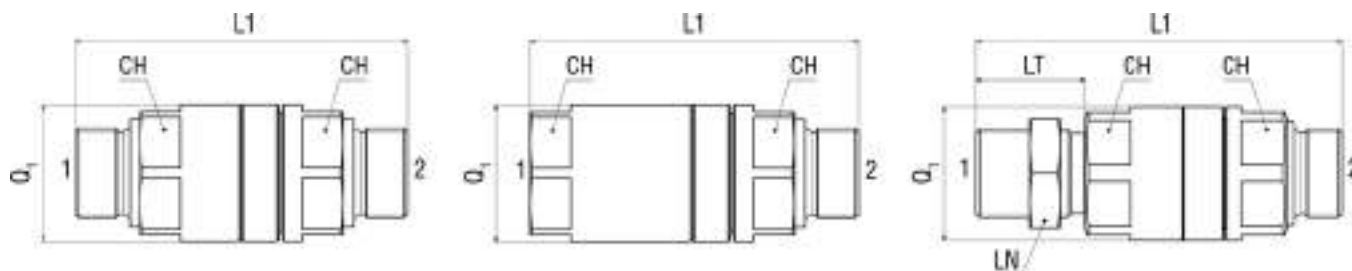
// Long-lasting service life

General features: ALFAGOMMA state-of-the-art Swivel Connector range is specifically designed to withstand the most severe working conditions and to ensure the best performances in the harshest environments up to 350 bar operating pressure. Its innovative ball bearing-less swivel system guarantees long lasting reliability to the hydraulic system, increasing productivity without fluid leakages. The ball bearing-less inner mechanism ensures a consistent rotary movement within the system and prevents damaging torsions to the hose. The result is an increase in components service life and lower operating costs due to easier & inexpensive maintenance. Alfagomma swivel connectors have a compact design, which makes them suitable for use in the smallest of spaces. Thanks to our exclusive TOP COAT -Galvanic Coating- proprietary technology, the complete range of Alfagomma swivel connectors can boast an outstanding wear and corrosion resistance, so as to guarantee a longer lifespan to your hydraulic system.

Materials: high strength carbon steel with TOP COAT surface protection. HNBR and PTFE seals and bushings.

Temperature range:

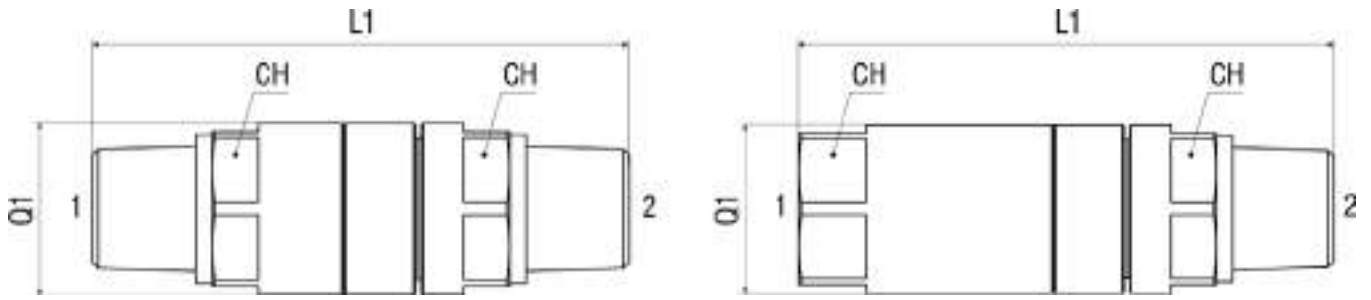
-35 °C +120 °C



SWIVEL CONNECTOR

BSPP

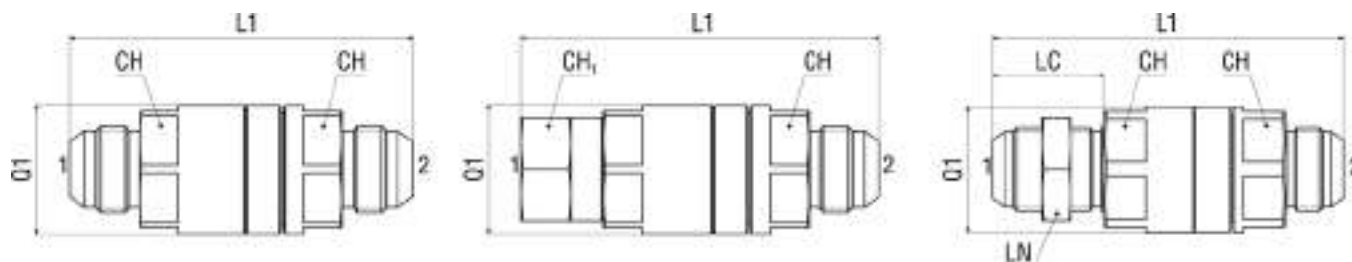
Item Code	ID (Dash)	Conn. 1	Thread 1	ID1 (mm)	F1	Conn. 2	Thread 2	ID2 (mm)	F2	LT (mm)	CH (mm)	LN (mm)	L1 (mm)	Q1 (mm)	WP (bar)
1233386	6	Bulk Head	BSPP	10	3/8-19	Solid Male	BSPP	10	3/8-19	31,0	27,0	22,0	105,0	30,0	410
1233387	8	Bulk Head	BSPP	10	1/2-14	Solid Male	BSPP	10	1/2-14	34,0	27,0	27,0	108,5	30,0	410
1233388	12	Bulk Head	BSPP	16	3/4-14	Solid Male	BSPP	16	3/4-14	37,0	41,0	36,0	130,0	46,0	410
1233389	16	Bulk Head	BSPP	22	1-11	Solid Male	BSPP	22	1-11	41,0	50,0	41,0	147,0	56,0	410
1233390	24	Bulk Head	BSPP	32	1 1/2-11	Solid Male	BSPP	32	1 1/2-11	49,0	70,0	55,0	187,0	75,0	310
1235068	6	Solid Female	BSPP	10	3/8-19	Solid Male	BSPP	10	3/8-19		27,0		87,5	30,0	410
1233383	8	Solid Female	BSPP	10	1/2-14	Solid Male	BSPP	10	1/2-14		27,0		90,2	30,0	410
1233384	12	Solid Female	BSPP	16	3/4-14	Solid Male	BSPP	16	3/4-14		41,0		103,0	46,0	410
1233385	16	Solid Female	BSPP	22	1-11	Solid Male	BSPP	22	1-11		50,0		119,0	56,0	410
1234984	20	Solid Female	BSPP	22	1 1/4-11	Solid Male	BSPP	22	1 1/4-11		50,0		119,0	56,0	410
1240261	24	Solid Female	BSPP	32	1 1/2-11	Solid Male	BSPP	32	1 1/2-11		70,0		157,0	75,0	310
1233377	6	Solid Male	BSPP	10	3/8-19	Solid Male	BSPP	10	3/8-19		27,0		86,2	30,0	410
1233378	8	Solid Male	BSPP	10	1/2-14	Solid Male	BSPP	10	1/2-14		27,0		86,2	30,0	410
1233379	12	Solid Male	BSPP	16	3/4-14	Solid Male	BSPP	16	3/4-14		41,0		109,0	46,0	410
1233380	16	Solid Male	BSPP	22	1-11	Solid Male	BSPP	22	1-11		50,0		124,0	56,0	410
1234983	20	Solid Male	BSPP	22	1 1/4-11	Solid Male	BSPP	22	1 1/4-11		50,0		126,0	56,0	410
1233381	24	Solid Male	BSPP	32	1 1/2-11	Solid Male	BSPP	32	1 1/2-11		70,0		157,0	75,0	310



SWIVEL CONNECTOR

NPTF

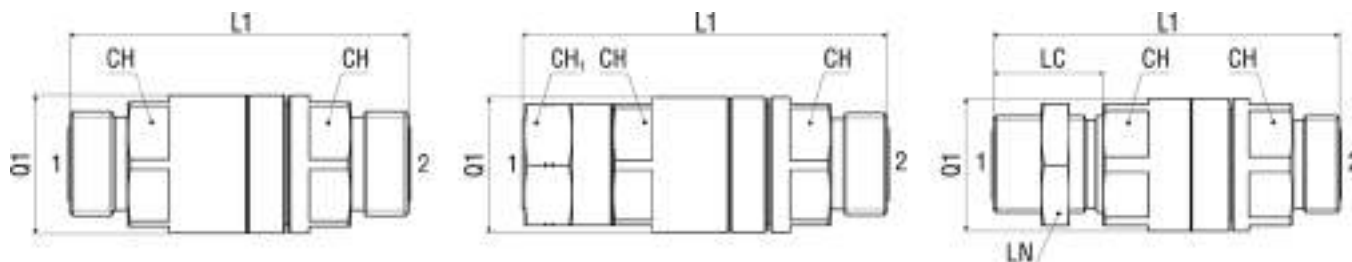
Item Code	ID (Dash)	Conn. 1	Thread 1	ID1 (mm)	F1	Conn. 2	Thread 2	ID2 (mm)	F2	CH (mm)	L1 (mm)	Q1 (mm)
1233817	8	Solid Female	NPTF	10	1/2-14	Solid Female	NPTF	10	1/2-14	27,0	95,7	30,0
1233816	8	Solid Male	NPTF	10	1/2-14	Solid Male	NPTF	10	1/2-14	27,0	94,2	30,0



SWIVEL CONNECTOR

JIC

Item Code	ID (Dash)	Conn. 1	Thread 1	ID1 (mm)	F1	Conn. 2	Thread 2	ID2 (mm)	F2	LT (mm)	CH (mm)	CH1 (mm)	LN (mm)	L1 (mm)	Q1 (mm)	WP (bar)
1233399	8	Bulk Head	JIC	10	3/4-16	Solid Male	JIC	10	3/4-16	36,5	27,0		24,0	114,0	30,0	410
1233400	10	Bulk Head	JIC	16	7/8-14	Solid Male	JIC	16	7/8-14	40,0	41,0		30,0	136,5	46,0	410
1233401	12	Bulk Head	JIC	16	1 1/16-12	Solid Male	JIC	16	1 1/16-12	44,5	41,0		36,0	143,5	46,0	410
1233402	16	Bulk Head	JIC	22	1 5/16-12	Solid Male	JIC	22	1 5/16-12	44,5	50,0		41,0	154,9	56,0	410
1233395	8	Solid Female	JIC	10	3/4-16	Solid Male	JIC	10	3/4-16		27,0	25,0		100,0	30,0	410
1233396	10	Solid Female	JIC	16	7/8-14	Solid Male	JIC	16	7/8-14		41,0	27,0		119,7	46,0	410
1233397	12	Solid Female	JIC	16	1 1/16-12	Solid Male	JIC	16	1 1/16-12		41,0	32,0		122,8	46,0	410
1233398	16	Solid Female	JIC	22	1 5/16-12	Solid Male	JIC	22	1 5/16-12		50,0	38,0		139,6	56,0	410
1233391	8	Solid Male	JIC	10	3/4-16	Solid Male	JIC	10	3/4-16		27,0			93,7	30,0	410
1233392	10	Solid Male	JIC	16	7/8-14	Solid Male	JIC	16	7/8-14		41,0			115,0	46,0	410
1233393	12	Solid Male	JIC	16	1 1/16-12	Solid Male	JIC	16	1 1/16-12		41,0			120,0	46,0	410
1233394	16	Solid Male	JIC	22	1 5/16-12	Solid Male	JIC	22	1 5/16-12		50,0			134,5	56,0	410



SWIVEL CONNECTOR

ORFS

Item Code	ID (Dash)	Conn. 1	Thread 1	ID1 (mm)	F1	Conn. 2	Thread 2	ID2 (mm)	F2	LT (mm)	CH (mm)	LN (mm)	L1 (mm)	Q1 (mm)	WP (bar)
1233411	8	Bulk Head	ORFS	10	13/16-16	Solid Male	ORFS	10	13/16-16	36,5	27,0	30,0	108,5	30,0	410
1233412	10	Bulk Head	ORFS	16	1-14	Solid Male	ORFS	16	1-14	40,5	41,0	36,0	132,0	46,0	410
1233413	12	Bulk Head	ORFS	16	1 3/16-12	Solid Male	ORFS	16	1 3/16-12	41,5	41,0	41,0	134,5	46,0	410
1233414	16	Bulk Head	ORFS	22	1 7/16-12	Solid Male	ORFS	22	1 7/16-12	42,0	50,0	46,0	148,0	56,0	410
1233403	8	Solid Male	ORFS	10	13/16-16	Solid Male	ORFS	10	13/16-16		27,0		84,7	30,0	410
1233404	10	Solid Male	ORFS	16	1-14	Solid Male	ORFS	16	1-14		41,0		107,0	46,0	410
1233405	12	Solid Male	ORFS	16	1 3/16-12	Solid Male	ORFS	16	1 3/16-12		41,0		110,0	46,0	410
1233406	16	Solid Male	ORFS	22	1 7/16-12	Solid Male	ORFS	22	1 7/16-12		50,0		123,5	56,0	410
1233407	8	Swivel Female	ORFS	10	13/16-16	Solid Male	ORFS	10	13/16-16		27,0		95,0	30,0	410
1233408	10	Swivel Female	ORFS	16	1-14	Solid Male	ORFS	16	1-14		41,0		116,0	46,0	410
1233409	12	Swivel Female	ORFS	16	1 3/16-12	Solid Male	ORFS	16	1 3/16-12		41,0		120,0	46,0	410
1233410	16	Swivel Female	ORFS	22	1 7/16-12	Solid Male	ORFS	22	1 7/16-12		50,0		135,0	56,0	410

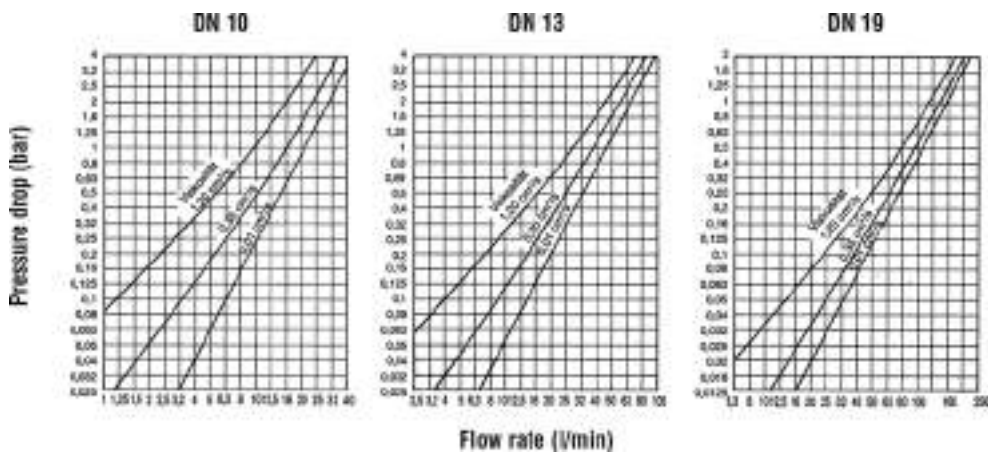
// FLOW RATE TABLE

// SVK-1H-ISO-A

POPPET STANDARD ISO 7241 A

 DN 6 TO 40

 TO MAX. WP 140 BAR

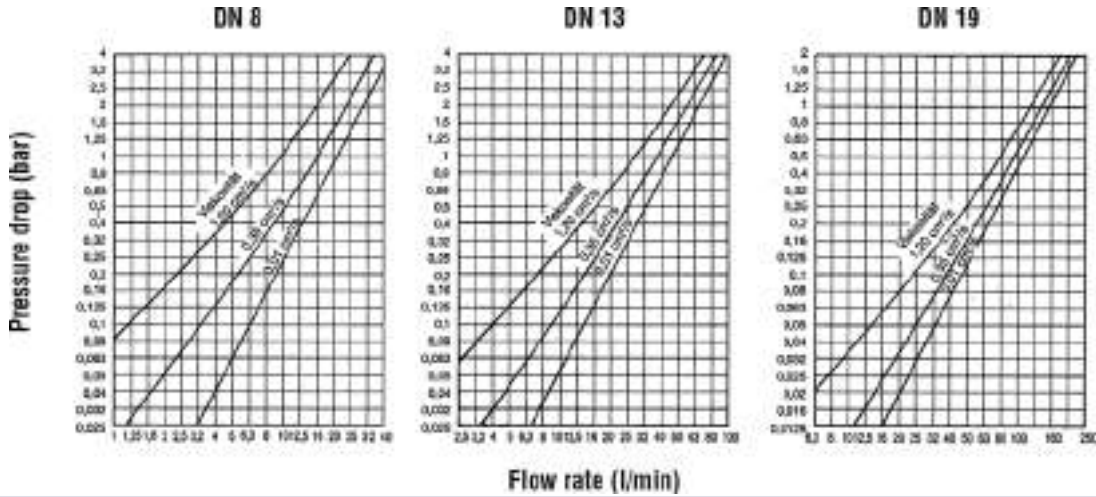


// **SVK-1H**

POPPET STANDARD ISO 5675

 DN 8 TO 19

 TO MAX. WP 400 BAR

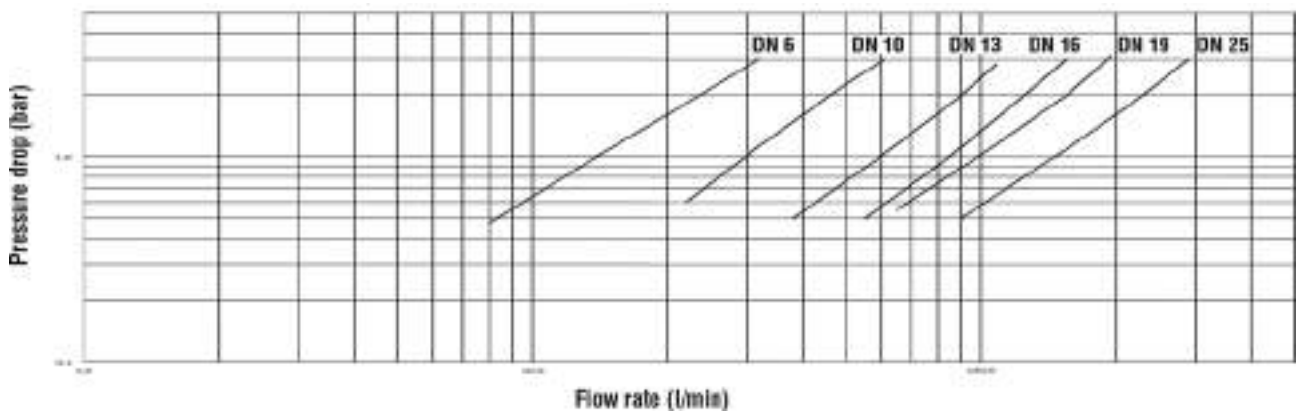


// **FPK & FPK P**

FLAT FACE STANDARD ISO 16028

 DN 6 TO 25

 TO MAX. WP 350 BAR



// HDK

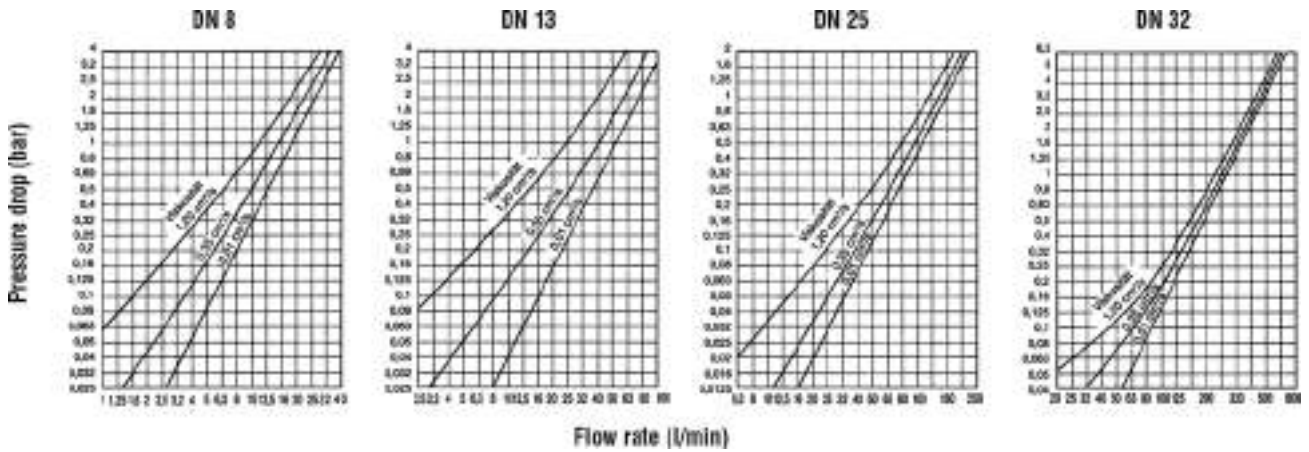
SCREW TYPE POPPET STANDARD ISO 14541



DN 8 TO 32



TO MAX. WP 450 BAR



// RK

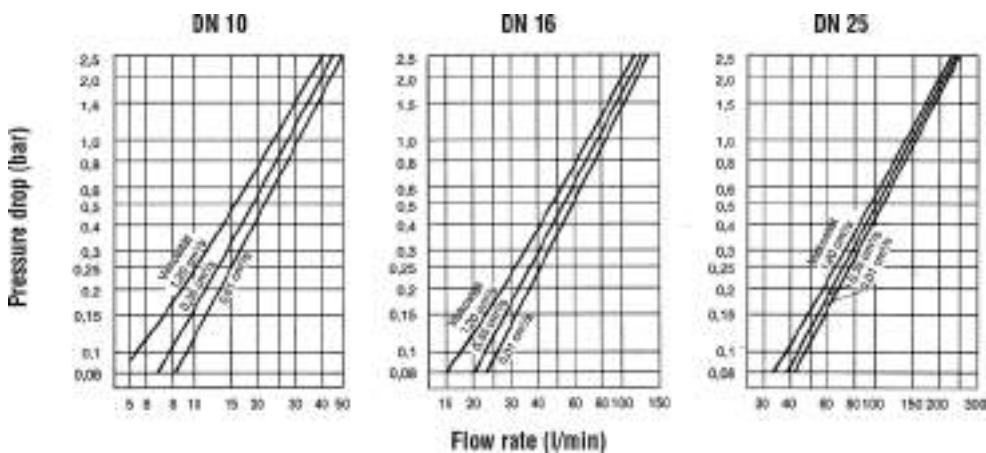
SCREW TYPE FLAT FACE



DN 10 TO 25



TO MAX. WP 315 BAR

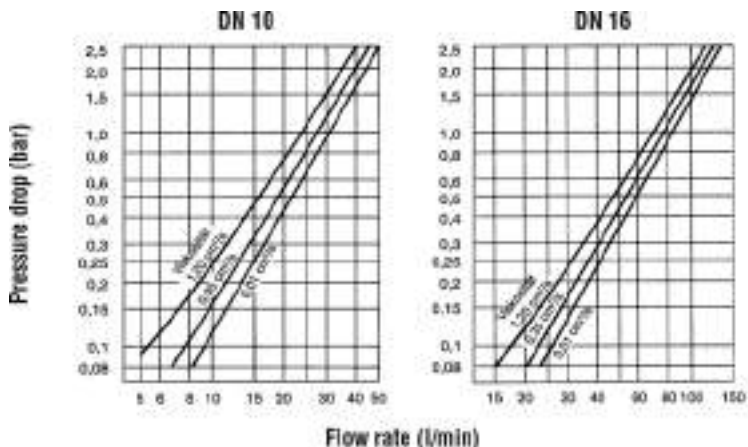


// AK

SCREW TYPE FLAT FACE

 DN 10 TO 16

 TO MAX. WP 315 BAR

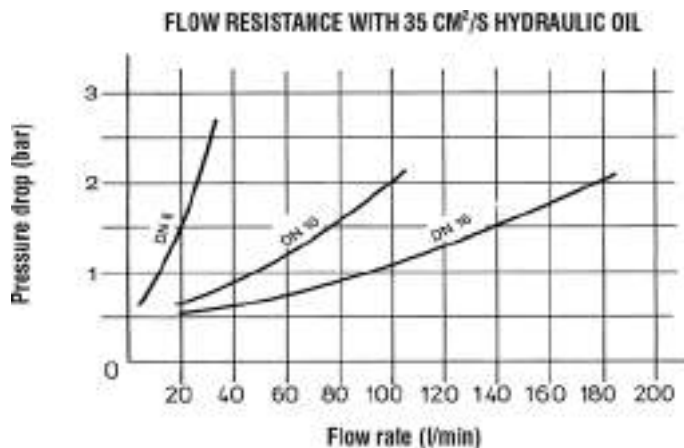


// RV

NON RETURN VALVE

 DN 6 TO 25

 TO MAX. WP 400 BAR



Design and dimensions shown may be changed without prior notice

// PRV

CARTRIDGE NON RETURN VALVE



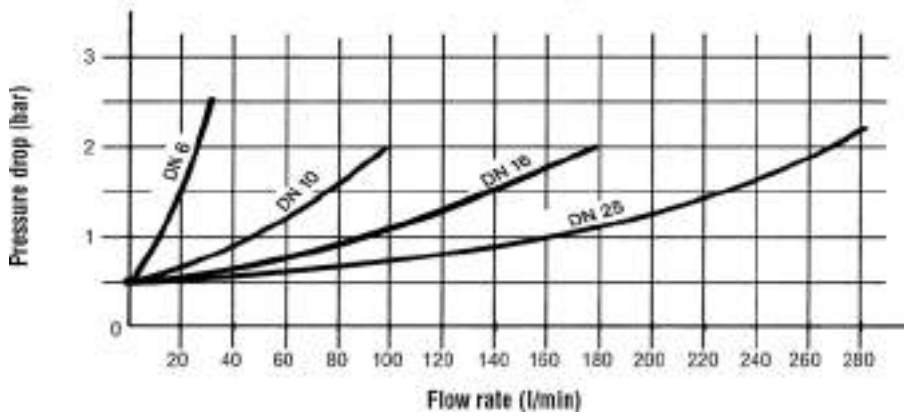
DN 6 TO 25



TO MAX. WP 400 BAR



FLOW RESISTANCE WITH 35 CM²/S HYDRAULIC OIL



LIMITED WARRANTY (NORTH AMERICAN MARKET ONLY)

The Products sold or distributed by Seller are warranted to its customers to be free from defects in material and workmanship at the time of shipment by us, subject to the following provisions:

All warranty claims shall be made within six (6) months after seller shipped the products. seller's liability and customer's remedy hereunder, under any theory of law or equity, including without limitation, for breach of contract, negligence, or otherwise, is limited, at seller's exclusive discretion, solely to 1) the purchase price of any products proving defective; 2) repair of any defective product or part thereof; or 3) replacement of any defective product or part upon its authorized return to seller.

This warranty is in lieu of and excludes, without limitation and to the fullest extent allowable by law, all other warranties or conditions, expressed, implied, statutory, or otherwise created under applicable law including, but not limited to, the warranty of merchantability, the warranty of fitness for a particular purpose, conditions of satisfactory quality, any obligation or warranty to remote purchasers, and those from a course of dealing or usage of trade.

In addition, this warranty shall not apply to any products or portions thereof that have been subjected to abuse, misuse, improper installation, maintenance, or operation, electrical failure or abnormal conditions, and to products that have been tampered with, altered, modified, repaired, reworked by anyone not approved by seller, or used in any manner inconsistent with any instructions or specifications provided with or for the product.

In no event shall seller or the manufacturer of the product have any liability whatsoever to any person, including without limitation, any immediate buyer, remote purchaser, or other third party, for any special, punitive, incidental, or consequential damages, including without limitation, loss of profits of customer or any other person, loss or damage to physical property of customer or any other person, and loss of anticipated revenue, profits, goodwill, savings, or other economic loss of customer or any other person, even if advised of the possibility thereof in advance, whether or not arising in, caused by, or resulting from, breach of contract, the negligence of seller and/or the manufacturer of the product, or otherwise, unless specifically provided herein and except any liability that cannot be excluded or limited by applicable law.

There are no warranties that extend beyond the description on the face hereof.

THE ALFAGOMMA GROUP

ALFAGOMMA

ARGENTINA – Buenos Aires
Moreno Store Center
Belisario Roldán 2616 - CP. 1744
La Reja - Bs. As.
+54 (11) 5365-6062/6063

AUSTRALIA – Sydney
50 Honeycomb Drive
Eastern Creek
Sydney, NSW 2766
+61 (2) 98 53 09 00
sydney@alfagomma.com.au

BELGIUM & NETHERLANDS – Benelux
Z5 Mollem 340
1730 Asse – Mollem
+32 (2) 209 27 40
info.benelux@alfagomma.com

BRAZIL – Guaranésia
Rua Felice Gennasio 401
Distrito Indl. Dr. Firmino Rocha de Freitas
37810-000 - Guaranésia, MG - Brasil
+55 (35) 35 55 0408
contato@alfagomma.com.br

CANADA – Montreal
6550 Abrams
St. Laurent, Montreal
Quebec H4S 1Y2
+1 (514) 33 35 577
info@alfagomma.ca

CHINA – Ningbo
No. 1 Cidong South Avenue
Coastal Economic Development Zone
Cixi, Zhejiang, China 315311
+86 (574) 88 15 72 88
alfagomma.china@alfagomma.com.cn

FRANCE – Villepinte
Le Sisley – Parc d'activité Paris Nord 2
23 Allée des Impressionnistes
93420 Villepinte
+33 (1) 48172121
agfrance.info@alfagomma.com

GERMANY – Herne
Friedrich der Grosse 10
44628 Herne
+49 (2323) 14 730
info.germany@alfagomma.com

GREECE – Athens
85 Kifissou Avenue
12241 Aigaleo, Athens
+30 (210) 41 19 909
info.hellas@alfagomma.com

INDONESIA – Tangerang
Jalan Raya Serang km. 16
Sukamulya Cikupa
Tangerang Banten 15710
+62 (21) 59 66 4792
jakarta@alfagomma.co.id

ITALY – Vimercate
Via Torri Bianche 1
20871 Vimercate (MB)
+39 (039) 60 161
info@alfagomma.com

MALAYSIA – Pasir Gudang
Plo 405, Jalan Perak 4
81707 Pasir Gudang
Negeri Johor Darul Takzim
+60 (7) 25 72 000
alfagomma@alfagomma.com.my

MEXICO – Torreón
Av. Industria de la transformacion
Parque Pymes 585
27400 Torreón, Coahuila
+52 8713125026
alfagomma.mexico@alfagomma.com

SINGAPORE
14 Tuas Ave 11
Singapore 639080
+65 6360 9000
alfagomma@alfagomma.com.sg

SOUTH AFRICA – Johannesburg
17 Quark Crescent Linbro Business Park
Sandton 2065
+27 (11) 20 10 900
alfagomma@alfagomma.co.za

SOUTH KOREA – Hwasung
15 Julteo Gil
Yangkam-Myun, Hwasung-Si
Kyungki-Do 18630
+82 (31) 35 28 671
alfagomma@alfagomma.co.kr

THAILAND – Bangkok
60/21 Moo.4 King Kaew Road
Racha Thewa SubDistrict, Bang Phli District
Samut Prakan Province, 10540
+66 (0) 2 136 2388
sales@alfagomma.co.th

UNITED KINGDOM – Haydock
43 Wilcock Road
Old Boston Trading Estate Haydock
St. Helens WA11 9TG
+44 (1942) 40 76 80
haydock.sales@alfagomma.com

UNITED STATES OF AMERICA – Burlington
3520 West Avenue
IA 52601 Burlington
+1 (319) 75 89 224
info@alfagomma.us

DUNLOPHIFLEX

DENMARK – Kolding
Kokholm 5
6000 Kolding
+45 43 25 40 00
kundeservice@dunlophiflex.dk

ESTONIA – Tallin
Läike tee 32/1 - Peetri alevik,
Rae vald - 75312 Harjumaa (Tallinn)
+372 (0) 605 4900
tallinn@dunlophiflex.ee

FINLAND – Pirkkala
Jasperintie 320
33960 Pirkkala
+358 (207) 625 700
info@dunlophiflex.fi

NORWAY – Kjeller
Jogstadveien 39
Pb. 7, 2027 Kjeller
2007 Kjeller
+47 23 00 47 00
sales@dunlophiflex.no

SWEDEN – Halmstad
Kistinge Industriområde
Seldonsvagen 2
30180 Halmstad
+46 (104) 14 44 04
halmstad@dunlophiflex.se

ARGUS

GERMANY – Ettlingen
Pforzheimer Str. 126
76275 Ettlingen
+49 (7243) 50 550
info@argus-fluidtechnik.de

UNITED KINGDOM – Salisbury
Telford Road
Salisbury, Wiltshire SP2 7PH
+44 (1722) 42 05 90
sales@hiflex-europe.com

KIOWA

UNITED KINGDOM – Sleaford
Kiowa Ltd, The Reservation, East Road
Sleaford, Lincolnshire, NG34 7BY
+44 (0) 1529 416200
sales@kiowa.co.uk



HEADQUARTER
Alfagomma SpA
Via Torri Bianche 1
20871 Vimercate (MB) Italy
marketing@alfagomma.com
www.alfagomma.com